

## 2-way power splitter 5504.17.0009

### Reactive Splitter

#### Description

2-Way Reactive Power Splitter (Splitter Loss 3dB) for LTE 2.3 GHz, LTE 2.6 GHz, WIFI 2.4 GHz, LTE 3.5 GHz, Public Security 4.9 GHz and WiFi 5GHz.  
Waterproof (IP67) also in unmated condition.  
Tested according to EN 50155.



#### Technical Data

##### Electrical Data

	Signal Band 1	
Frequency	2 - 6 GHz	
Return Loss input port	20 dB	
Insertion Loss	3.2 dB	
Isol. between Output ports	6 dB	
Ampl. tra. betw. outp. ports	0.2 dB	
Max. Composite Power	300 W	
	Input 1	
Connector Type	N	
Connector Gender	jack (female)	
	Output 1	Output 2
Connector Type	N	N
Connector Gender	jack (female)	jack (female)

Char. impedance 50 Ω

##### Mechanical Data

Dimensions 103.7 x 67 x 20 mm (Height x Width x Length)  
Weight 0.345 kg

##### Environmental Data

Environmental conditions outdoor  
Operation temperature -40 °C to 85 °C  
IP rating IP67  
2011/65/EU (RoHS - including 2015/863 and 2017/2102) compliant  
Lead-free soldered not soldered  
WEEE 2002/96/EC no special marking needed

Dynamic tests according to EN 50155:  
vibration according to EN 61373 Category 1 /Class B  
mechanical Shock according to IEC 60068-2-27

##### Material Data

Piece Parts	Material	Surface Plating
Body	Brass	SUCOPLATE (R) Plating
Center contact (Interface)	Copper Beryllium Alloy	Gold Plating

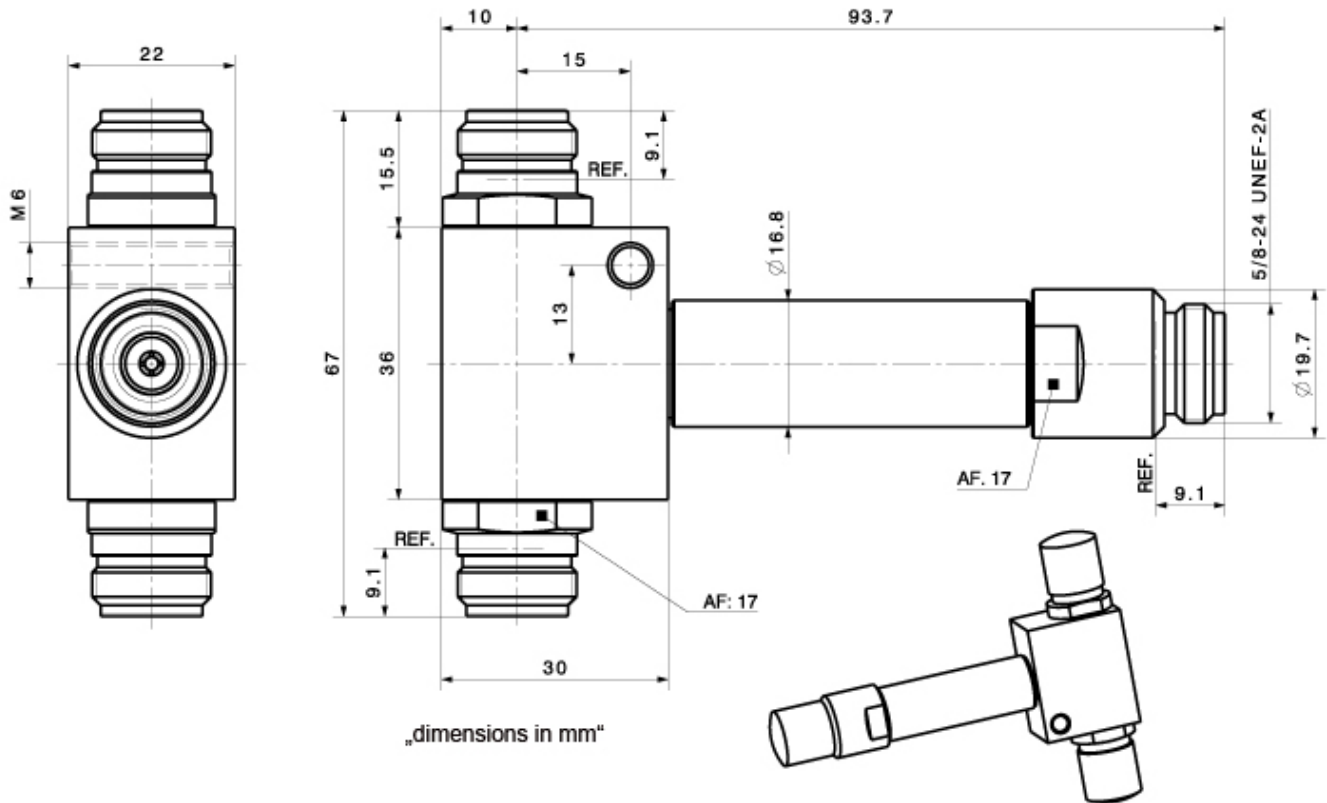
## 2-way power splitter 5504.17.0009

Center contact (Body)	Brass	Silver Plating
Insulator	PTFE (Polytetrafluoroethylene)	

### Related Documents

Outline drawing

DOU-00319817



## X-ON Electronics

Largest Supplier of Electrical and Electronic Components

*Click to view similar products for [Signal Conditioning](#) category:*

*Click to view products by [Huber & Suhner](#) manufacturer:*

Other Similar products are found below :

[MAPDCC0001](#) [MAPDCC0004](#) [PD0409J5050S2HF](#) [880157](#) [HHS-109-PIN](#) [DC1417J5005AHF](#) [AFS14A30-2185.00-T3](#) [AFS14A35-1591.50-T3](#) [B39321R801H210](#) [1A0220-3](#) [JP510S](#) [LFB212G45SG8C341](#) [LFB322G45SN1A504](#) [LFL182G45TC3B746](#) [SF2159E](#) [30057](#) [FM-104-PIN](#) [CER0813B](#) [MAPDCC0005](#) [3A325](#) [40287](#) [41180](#) [ATB3225-75032NCT](#) [BD0810N50100AHF](#) [BD2425J50200AHF](#) [C5060J5003AHF](#) [JHS-115-PIN](#) [JP503AS](#) [DC0710J5005AHF](#) [DC2327J5005AHF](#) [DC3338J5005AHF](#) [43020](#) [LFB2H2G60BB1C106](#) [LFL15869MTC1B787](#) [X3C19F1-20S](#) [XC3500P-20S](#) [10013-20](#) [SF2194E](#) [CDBLB455KCAX39-B0](#) [TGL2208-SM, EVAL](#) [RF1353C](#) [PD0922J5050D2HF](#) [1E1305-3](#) [1F1304-3S](#) [1G1304-30](#) [B0922J7575AHF](#) [2020-6622-20](#) [TP-103-PIN](#) [BD1222J50200AHF](#) [BD1722J50100AHF](#)