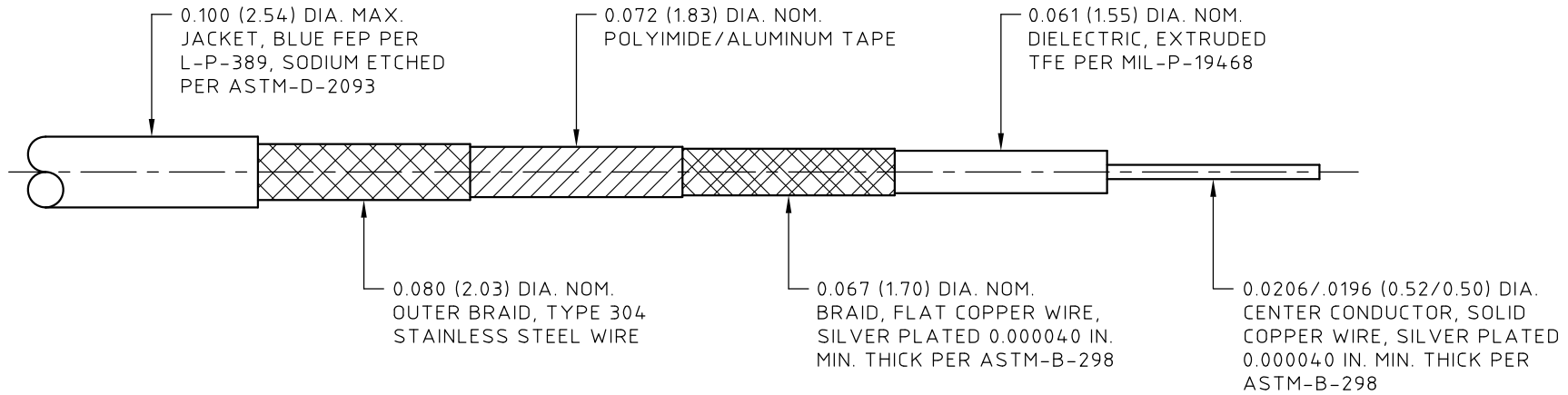


CONTROL DRAWING

32081E

C



CHARACTERISTICS:

- OPERATING TEMPERATURE: -55°C TO +200°C
- IMPEDANCE: 50 Ohms. NOM.
- OPERATING FREQUENCY: 50 GHz. MAX.
- VELOCITY: 70.3 PERCENT NOM.
- SHIELDING: > 110 dB
- CAPACITANCE: 30.0 PF/FT. NOM.
- STATIC BEND RADIUS: 0.20 IN. MIN.
- WEIGHT: 1.0 LBS./100 FT. NOM.
- INSERTION LOSS: 37 dB/100 FT. MAX. AT 2 GHz.
- 120 dB/100 FT. MAX. AT 18 GHz.

UNLESS OTHERWISE SPECIFIED
CONCENTRICITY .004 T.I.R.
CORNERS AND FILLETS .005
MAX. RADIUS OR CHAMFER.
SURFACE FINISH 63 RMS
MICROINCHES OR BETTER.

FRACTIONS	± 1/16
X	± .030
XX	± .015
XXX	± .005
ANGLES	± 1°
DO NOT SCALE DRAWING	

	NAME	DATE	<p style="font-size: x-small; text-align: center;">THIS DRAWING CONTAINS PATENTABLE AND PROPRIETARY INFORMATION. THE DESIGN CANNOT BE USED WITHOUT WRITTEN PERMISSION OF HUBER + SUHNER ASTROLAB.</p>
PREP.	A. WEIRBACK	03/20/00	
ELEC.			
MECH.	D.P. DURETT	03/20/00	
Q.C.			
TITLE			
CABLE, COAXIAL, astro-STEEL-flex I			
THDS. TO BE IN ACCORD WITH U.S. DEPT. OF COMM. SCREW THD. STDS. FOR FEDERAL SERVICES 1950 SUPL. TO HANDBOOK H 28.	SCALE	CODE IDENT.	DWG NO.
	4:1	16301	32081E
REV.	DESCRIPTION	DATE	BY
C	ECN No. 15267	01/18/13	GS
APPROVED			
			C

X-ON Electronics

Largest Supplier of Electrical and Electronic Components

Click to view similar products for [Coaxial Cables](#) category:

Click to view products by [Huber & Suhner](#) manufacturer:

Other Similar products are found below :

[89880-003-1000](#) [CY2389-000](#) [8221-010-U1000](#) [9116-010-U500](#) [1322R-010-1000](#) [1807A-B59-U1000](#) [2020K8421-9X-CS3417](#) [9251-010-1000](#) [9275-010-U1000](#) [935240-000](#) [980704-001](#) [CF2823-000](#) [33312-010-500](#) [CZ1589-000](#) [5022W0809-0CS3263](#) [10610-4-4](#) [EF8108-000](#) [1673B TIN100](#) [672525-001](#) [144517-000](#) [735A1-008-1000](#) [8212-010-U500](#) [480414-000](#) [7915A 009U1000](#) [5024A1311-0](#) [1281S5 010250](#) [1530A 010U1000](#) [9248 010U1000](#) [9244 0101000](#) [1694A 0081000](#) [1190A 0101000](#) [8241F J5C1000](#) [1674A TIN50](#) [7915A 0091000](#) [TRCH-50-2](#) [9066 0031000](#) [7805R 008100](#) [1674A TIN100](#) [9116SB 0101000](#) [9271 0061000](#) [1613A 0101000](#) [1807A B591000](#) [5339Q5 009U500](#) [539945 0091000](#) [9116R 0101000](#) [89207 010100](#) [9058 0101000](#) [8241A 0101000](#) [DA7805R 0101000](#) [C6424](#)