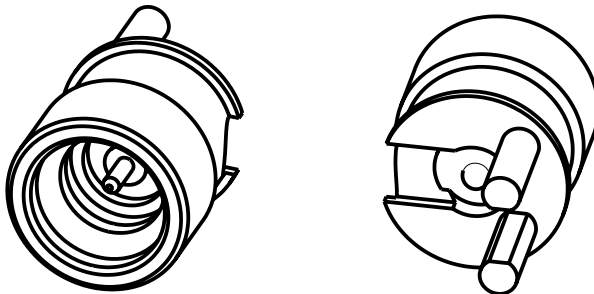
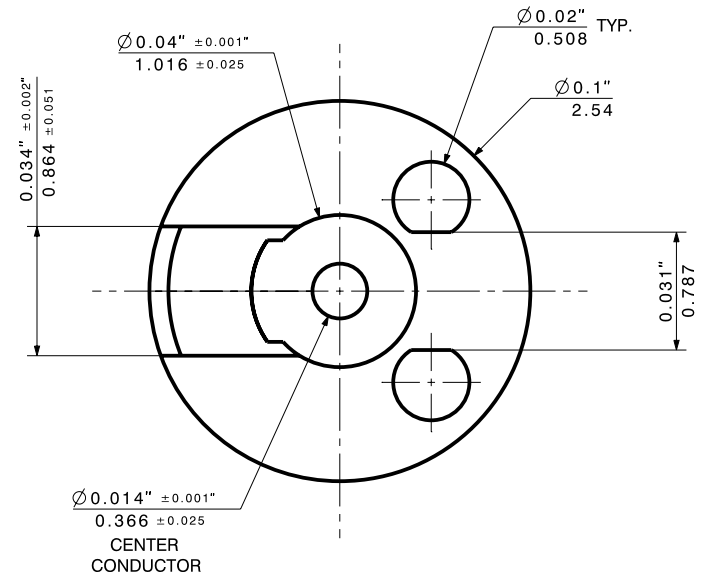
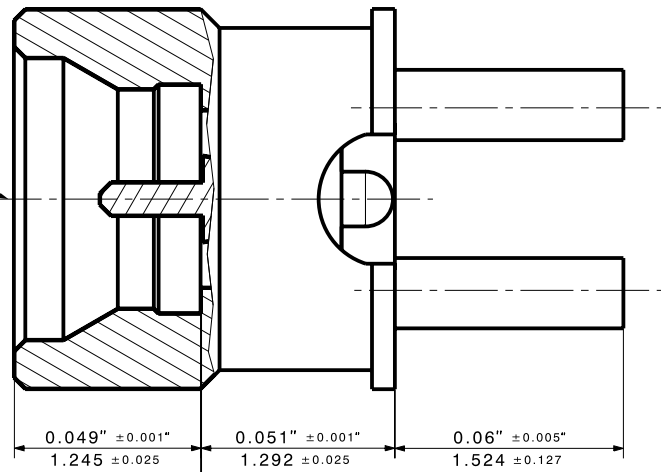


SMP3 Male
Full Detent



Component	Material	Material Std compliance	Finish		Finish Std compliance
Body	Beryllium Copper	ASTM B-196 UNS No. C17300 Temper TD04(H)	Gold Plate Nickel underplate	50µIN - 100µIN [1.27µM - 2.54µM]	Gold per ASTM B-488, Code C, Type II, Class 1.27
				50µIN - 100µIN [1.27µM - 2.54µM]	Nickel per SAE-AMS-QQ-N-290, Class I
Insulator	PTFE	ASTM D-1710	---	---	---
Contact	Beryllium Copper	ASTM B-196 UNS No. C17300 Temper TD04(H)	Gold Plate Nickel underplate	50µIN - 100µIN [1.27µM - 2.54µM]	Gold per ASTM B-488, Code C, Type II, Class 1.27
				50µIN - 100µIN [1.27µM - 2.54µM]	Nickel per SAE-AMS-QQ-N-290, Class I

Electrical Specification:
IMPEDANCE, 50.0 Ohms NOMINAL.
FREQUENCY, 65.0 GHz.

Mechanical:
Operating temperature range: -55° C to +165° C.

- 1 Interface definition, SMP3 male is designed and manufactured IAW MIL-STD-348 and will mate with SMP3 female connector designed and manufactured IAW MIL-STD-348.
- 2 Mounting Patterns, Customer specific factors including transmission line topology, substrate thickness and material, board-stackup, operating frequency, etc. must be submitted to HUBER+SUHNER Astrolab for analysis prior to release of final performance levels and mounting configuration.

Type: 81 SMP3-S50-0-FD2		All dimensions after treatment in millimeter (mm)		
Assembly drawing	Released date:	alternative ID 29174S1-2-001	3D-ID PRO-01149826 A	Sheet: 1 / 1
description		ID	Release	
HUBER+SUHNER SMP3 Male Surface Mount		DOU-01171244	A	

X-ON Electronics

Largest Supplier of Electrical and Electronic Components

Click to view similar products for [RF Connectors](#) / [Coaxial Connectors](#) category:

Click to view products by [Huber & Suhner](#) manufacturer:

Other Similar products are found below :

[89674-0827](#) [6059674-1](#) [630059-000](#) [6501-1071-002](#) [6769](#) [7002-1541-010](#) [7002-1572-002](#) [7004-1512-000](#) [7009-1511-004](#) [7101-1541-010](#)
[7101-1571-002](#) [7105-1521-002](#) [7203-1571-003](#) [7209-1511-011](#) [7210-1511-040](#) [7242-1511-000](#) [7405-1521-005](#) [7405-1521-802](#)
[804S01D04M040](#) [8527](#) [8547](#) [FS11V](#) [877931](#) [8808-1511-001](#) [9049-9513-000](#) [9074-9513-000](#) [PL11C-026](#) [PL40-36](#) [9408-1113-000](#) [980-](#)
[8666-005](#) [11 SMA-50-2-6 / 111 NE](#) [11 SMA-50-3-6 / 111 NE](#) [1-201144-1](#) [120919](#) [R107003010W](#) [R112186000](#) [R113053000W](#) [R113082097](#)
[R113236000](#) [R114083000](#) [R114670000W](#) [R123415000W](#) [R124076320](#) [R124076450](#) [R124175123](#) [R125075000W](#) [R125075001](#)
[R125172000W](#) [R125415030](#) [R141007161](#)