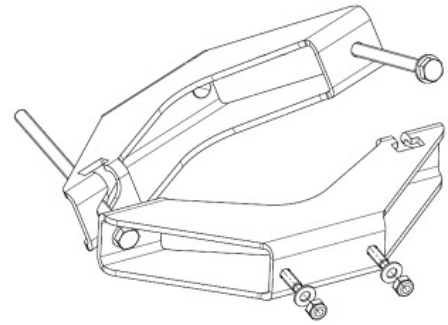


Clamp 210-380mm 85010003

Description

Mounting Hardware for Special Communication Antennas:
Clamps
(Wind Load Category "L", "M" and "H")



Technical Data

Mechanical Data

See table below

Environmental Data

Wind Load Category "L", "M" and "H"

Related Documents

Clamps

Type No.	731651	738546	85010002	85010003
Suitable for mast diameter	28–60 mm	42–115 mm	110–220 mm	210–380 mm
Antenna – mast distance F	25–28 mm	20–26 mm	47–55 mm	48–68 mm
Number of pieces	1 clamp	1 clamp	1 clamp	1 clamp
Material – Clamp	Hot-dip galvanized steel/ Hot-dip galvanized steel/ Stainless steel	Hot-dip galvanized steel/ Hot-dip galvanized steel/ Stainless steel	Hot-dip galvanized steel/ Hot-dip galvanized steel/ Stainless steel	Hot-dip galvanized steel/ Stainless steel/ Stainless steel
– Screws				
– Nuts				
Weight	0.8 kg	1.1 kg	2.7 kg	4.8 kg

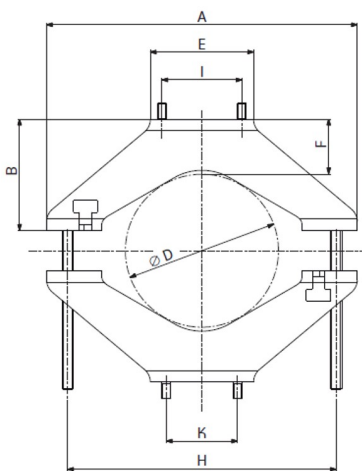
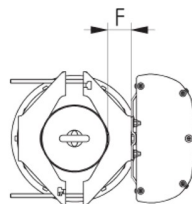
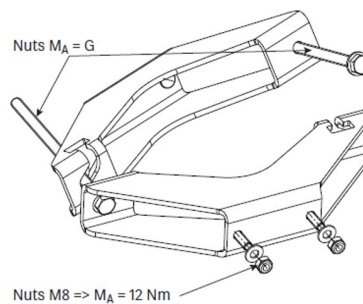
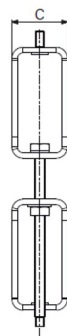


Figure similar to 85010002



Type No.	A	B	C	D	E	F	G	H	I	K
731651	116 mm	40 mm	40 mm	28–60 mm	93 mm	25–28 mm	20 Nm	84 mm	–	64 mm
738546	152 mm	40 mm	40 mm	4–115 mm	93 mm	20–26 mm	25 Nm	125 mm	72 mm	64 mm
85010002	280 mm	100 mm	50 mm	110–220 mm	93 mm	47–55 mm	35 Nm	240 mm	72 mm	64 mm
85010003	442 mm	150 mm	50 mm	210–380 mm	150 mm	48–68 mm	35 Nm	392 mm	72 mm	64 mm

Data Sheet

HUBER+SUHNER

**Clamp 210-380mm
85010003**

X-ON Electronics

Largest Supplier of Electrical and Electronic Components

Click to view similar products for [Antennas](#) category:

Click to view products by [Huber & Suhner](#) manufacturer:

Other Similar products are found below :

[GAN30084EU](#) [930-033-R](#) [GW17.07.0250E](#) [1513563-1](#) [EXE902SM](#) [APAMPG-117](#) [MAF94383](#) [W3908B0100](#) [W6102B0100](#) [YE572113-30RSMM](#) [108-00014-50](#) [66089-2406](#) [SPDA17RP918](#) [A09-F8NF-M](#) [A09-F5NF-M](#) [RGFRA1903041A1T](#) [W3593B0100](#) [W3921B0100](#) [SIMNA-868](#) [SIMNA-915](#) [SIMNA-433](#) [W1044](#) [W1049B090](#) [A75-001](#) [WTL2449CQ1-FRSMM](#) [CPL9C](#) [EXB148BN](#) [0600-00060](#) [TRA9020S3PBN-001](#) [Y4503](#) [GD5W-28P-NF](#) [MA9-7N](#) [GD53-25](#) [GD5W-21P-NF](#) [C37](#) [MAF94051](#) [MA9-5N](#) [EXD420PL](#) [B1322NR](#) [QWFTB120](#) [MAF94271](#) [MAF94300](#) [GPSMB301](#) [FG4403](#) [AO-AGSM-OM54](#) [5200232](#) [MIKROE-2349](#) [WCM.01.0111](#) [MIKROE-2393](#) [MIKROE-2352](#)