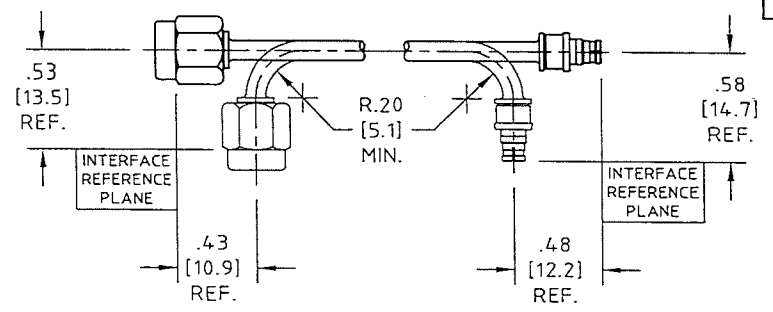


ASSEMBLY NO.	DIM. "L"	2.0 GHz		12.4 GHz		18.0 GHz	
		VSWR	I.L. dB	VSWR	I.L. dB	VSWR	I.L. dB
minibend LSR-2.5	2.50 (63.5)	1.25:1	0.19	1.30:1	0.39	1.45:1	0.57
minibend LSR-3	3.00 (76.2)	1.25:1	0.20	1.30:1	0.43	1.45:1	0.61
minibend LSR-3.5	3.50 (88.9)	1.25:1	0.21	1.30:1	0.47	1.45:1	0.65
minibend LSR-4	4.00 (101.6)	1.25:1	0.23	1.30:1	0.50	1.45:1	0.68
minibend LSR-4.5	4.50 (114.3)	1.25:1	0.24	1.30:1	0.53	1.45:1	0.72
minibend LSR-5	5.00 (127.0)	1.25:1	0.25	1.30:1	0.56	1.45:1	0.76
minibend LSR-5.5	5.50 (139.7)	1.25:1	0.26	1.30:1	0.59	1.45:1	0.79
minibend LSR-6	6.00 (152.4)	1.25:1	0.28	1.30:1	0.62	1.45:1	0.83
minibend LSR-6.5	6.50 (165.1)	1.25:1	0.29	1.30:1	0.65	1.45:1	0.87
minibend LSR-7	7.00 (177.8)	1.25:1	0.30	1.30:1	0.68	1.45:1	0.90
minibend LSR-8	8.00 (203.2)	1.25:1	0.32	1.30:1	0.74	1.45:1	0.98
minibend LSR-9	9.00 (228.6)	1.25:1	0.35	1.30:1	0.81	1.45:1	1.05
minibend LSR-10	10.00 (254.0)	1.25:1	0.37	1.30:1	0.87	1.45:1	1.12
minibend LSR-11	11.00 (279.4)	1.25:1	0.40	1.30:1	0.93	1.45:1	1.20
minibend LSR-12	12.00 (304.8)	1.25:1	0.42	1.30:1	0.99	1.45:1	1.27
minibend LSR-13	13.00 (330.2)	1.25:1	0.44	1.30:1	1.05	1.45:1	1.34
minibend LSR-14	14.00 (355.6)	1.25:1	0.47	1.30:1	1.11	1.45:1	1.42
minibend LSR-15	15.00 (381.0)	1.25:1	0.49	1.30:1	1.18	1.45:1	1.49
minibend LSR-16	16.00 (406.4)	1.25:1	0.52	1.30:1	1.24	1.45:1	1.56
minibend LSR-							

CONTROL DRAWING

minibend LSR-XX

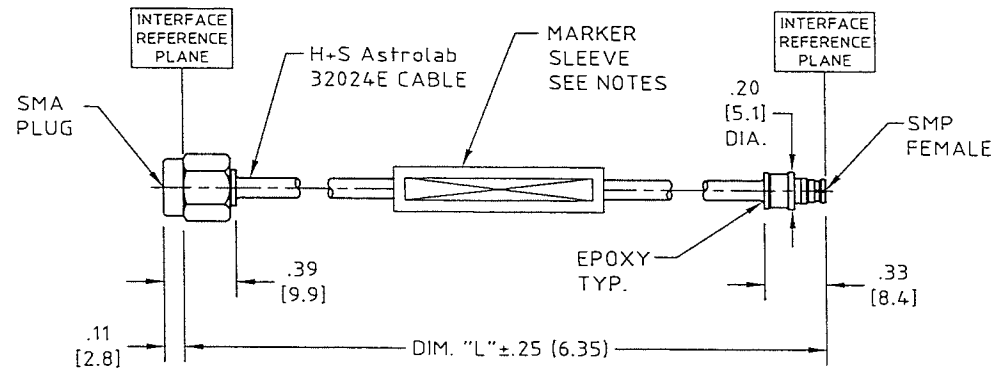


SHOWN ABOVE IS TYPICAL INSTALLATION.

ROHS 5/6 COMPLIANT

NOTES:

- DESCRIPTION:
CABLE ASSEMBLY, SMA PLUG TO SMP FEMALE, RUGGEDIZED
- CABLE:
COAXIAL CABLE H+S Astrolab P/N 32024E MEETS OR EXCEEDS MIL-DTL-17 SEE H+S Astrolab CONTROL DRAWING FOR MATERIALS AND FINISHES.
- CONNECTOR -A-, SMA PLUG:
H+S Astrolab P/N 29094CR-32-24 INTERFACE DIMENSIONS IAW MIL-STD-348. SEE H+S Astrolab CONTROL DRAWING FOR MATERIALS AND FINISHES.
- CONNECTOR -B-, SMP FEMALE:
H+S Astrolab P/N 29473CR-32-24-1 INTERFACE DIMENSIONS IAW MIL-STD-348. SEE H+S Astrolab CONTROL DRAWING FOR MATERIALS AND FINISHES.
- MARKING:
LOOSE, WHITE SLEEVING CAPTIVATED ON THE CABLE ASSEMBLY. MARKING WILL INCLUDE THE H+S Astrolab PART NUMBER, CAGE CODE AND DATE CODE OF DATE OF MANUFACTURE. OTHER MARKING AS DEFINED BY CUSTOMER.
NO MARKING ON CABLE ASSEMBLIES SHORTER THAN 3.0". MARKING ON PACKING ONLY.
- ELECTRICAL CHARACTERISTICS:
IMPEDANCE, 50.0 Ohms NOMINAL.
FREQUENCY, INSERTION LOSS AND VSWR SEE CHART.
- MECHANICAL:
OPERATING TEMPERATURE RANGE, -55° C TO +125° C.
PULL STRENGTH TO 25.0 LBS. [111 N].



UNLESS OTHERWISE SPECIFIED CONCENTRICITY .004 T.I.R. CORNERS AND FILLETS .005 MAX. RADIUS OR CHAMFER. SURFACE FINISH 63 RMS MICROINCHES OR BETTER.

FRACTIONS	± 1/16
X	± .030
XX	± .015
XXX	± .005
ANGLES	± 1°

DO NOT SCALE DRAWING

NAME	DATE		THIS DRAWING CONTAINS PATENTABLE AND PROPRIETARY INFORMATION. THE DESIGN CANNOT BE USED WITHOUT WRITTEN PERMISSION OF HUBER + SUHNER ASTROLAB.
PREP. EF	07/31/02		
ELEC.			
MECH.			
Q.C.		TITLE	
		CABLE ASSEMBLY, minibend L TYPE, SMA PLUG TO SMP FEMALE, RUGGEDIZED	
THDS. TO BE IN ACCORD WITH U.S. DEPT. OF COMM. SCREW THD. STDS. FOR FEDERAL SERVICES 1950 SUPPL. TO HANDBOOK H 28.	SCALE 1:1	CODE IDENT. 16301	DWG NO. minibend LSR-XX
			REV L

L	COMPANY LOGO UPDATE	01/15/13	EENG 2	
REV.	DESCRIPTION	DATE	BY	APPROVED

X-ON Electronics

Largest Supplier of Electrical and Electronic Components

Click to view similar products for [RF Cable Assemblies](#) category:

Click to view products by [Huber & Suhner](#) manufacturer:

Other Similar products are found below :

[73-6352-10](#) [73-6353-3](#) [R285001001](#) [R288940004](#) [145111-05-12.00](#) [1661-C-24](#) [1801171170914KE](#) [24P104C24J1-012](#) [24P104C24P1-006](#)
[24P104C24P1-018](#) [24P204C24J1-003](#) [172-2150-EX](#) [1800920920914PJ](#) [FCB-3030-ALT](#) [21117-046](#) [21117-050](#) [PCX-24-50](#) [24P103C24P2-](#)
[003](#) [25P203C25P2-003](#) [R284008001](#) [R285001021](#) [R285426000](#) [R288940003](#) [4814-BB-24](#) [5260-72](#) [JT2N1-CL1-1F](#) [DLP-COAX1](#) [4814-K-](#)
[48](#) [115101-09-06.00](#) [CCNTN2-MM-LL335-26](#) [73-6351-25](#) [73-6352-3](#) [73-6353-25](#) [1800920920610PJ](#) [GD0BQ0BQ024.0](#) [1-3636-600-5210](#)
[TL8A-11SMA-11SMA-01500-51](#) [R284C0351060](#) [R288940009](#) [R284C0351028](#) [R288940002](#) [9702-1SL-1](#) [PT82NSMA](#) [73-6353-10](#)
[R285020301W](#) [PCX-18-50](#) [Minibend-9](#) [Minibend-4](#) [BNC TO SMA Cable](#) [MIKROE-274](#)