

## PCDS\_LCMD\_LCMD\_O317E\_XX.X\_MM

### Description

Duplex patch cord, LCD classic to LCD classic, MM, duplex fig.8 2x1.7mm\_XX.X\_turquoise, OM3 BendOptimized, A-B / B-A



Features	Features
- Push-pull mechanism for best handling and high packing density	
- One-piece design for easy termination	
- Short rigid length	
- Switchable duplex connectors	

### Technical Data

#### General Data

Description	Values
General Typ	Duplex LC patch cord
Operation temperature	-25 up to 70°C
Polarity	A-B / B-A straight polarity (standard)
UL Rating	UL 94 V-0
RoHS compliant 2001/65/EU	Yes
REACH compliant	Yes

#### Connector left

Description	Values
Connector typ	LC duplex Classic
Polish	UPC
Color Housing	Black
Color Clip	Aqua
Color Boot	Black
Design connector acc. To	IEC 61754-20, TIA 604-10-A
Performance class H+S	M
Insertion loss 97% dB / mean dB	0.25 / 0.12
Return Loss	35
Durability	1000
Tensile load	2 x 100 N
Tensile load acc. To GR-326-COR	Fullfilled

#### Connector right

Description	Values
Connector typ	LC duplex Classic
Polish	UPC
Color Housing	Black
Color Clip	Aqua
Color Boot	Black
Design connector acc. To	IEC 61754-20, TIA 604-10-A
Performance class H+S	M
Insertion loss 97% dB / mean dB	0.25 / 0.12
Return Loss	35
Durability	1000

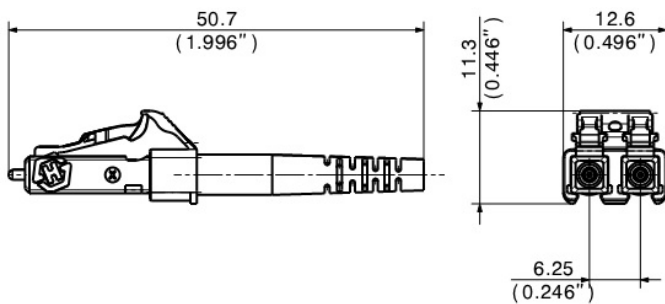
## PCDS\_LCMD\_LCMD\_O317E\_XX.X\_MM

Tensile load	2 x 100 N
Tensile load acc. To GR-326-COR	Fulfilled

### Cable

Description	Values
Cable typ	Duplex Cable Figure 8
Fiber count	2
Fiber	2 x 0.9 mm
Fiber typ	G50/125-OM3 BendOptimized
Outer diameter	1.7 mm
Outer jacket material	Jacket material according to UL 94V-0

### Technical Drawing



### Ordering information

Meter (m)	Item number	Description
1	85022112	PCDS_LCMD_LCMD_O317E_01.0_MM
2	85022117	PCDS_LCMD_LCMD_O317E_02.0_MM
3	85022118	PCDS_LCMD_LCMD_O317E_03.0_MM
5	85022120	PCDS_LCMD_LCMD_O317E_05.0_MM
6	85022121	PCDS_LCMD_LCMD_O317E_06.0_MM
7	85022122	PCDS_LCMD_LCMD_O317E_07.0_MM
10	85022123	PCDS_LCMD_LCMD_O317E_10.0_MM
15	85022124	PCDS_LCMD_LCMD_O317E_15.0_MM
20	85022125	PCDS_LCMD_LCMD_O317E_20.0_MM
3.5	85022119	PCDS_LCMD_LCMD_O317E_03.5_MM

## X-ON Electronics

Largest Supplier of Electrical and Electronic Components

*Click to view similar products for [Fibre Optic Cable Assemblies](#) category:*

*Click to view products by [Huber & Suhner](#) manufacturer:*

Other Similar products are found below :

[7-21002-9](#) [760-1518](#) [FA04390-50-M-72-LC-N](#) [MLB 501 V RED](#) [MLB 501 V YELLOW](#) [1-3636-600-5208](#) [2061529-7](#) [1-6693182-0](#)  
[1754898-1](#) [21055-6](#) [FXBSCSCE2LM002](#) [3000005](#) [3-21053-2](#) [MLB 200/1 V BLACK](#) [MLB 2001 V RED](#) [MLB 2001 V YELLOW](#) [MLB 501](#)  
[V BLACK](#) [5492011-6](#) [106284-7000](#) [5492011-5](#) [5492011-8](#) [5492011-9](#) [8-21007-5](#) [2123524-2](#) [2123524-1](#) [106386-4447](#) [DFSM-SCSC-2M](#)  
[2123909-4](#) [2123909-8](#) [106273-0629](#) [2125046-1](#) [2821236-3](#) [2821310-2](#) [2821310-3](#) [2821313-4](#) [FX2ERLNLNSNM0.5](#) [CF-980062-074](#) [CF-](#)  
[901200-394](#) [CF-980062-073](#) [CF-980062-071](#) [CF-980062-075](#) [CF-980062-072](#) [17-300310-100](#) [2821236-2](#) [2821313-1](#) [G-FC-FC-S-002.0-DX-](#)  
[A-18-Y](#) [G-E2A-E2A-S-003.0-SX-A-18-Y](#) [956-322-502214](#) [FA04474](#) [1083665](#)