

SUCOFLEX® 526S Microwave Cable Assembly

Description

SUCOFLEX 526S microwave cable assemblies set a new measurement standard through 26.5 GHz.

- Excellent return and insertion loss
- Phase and amplitude stability with flexure and movement
- Torque, crush and kink resistance
- Precise and repeatable measurements
- Long service life
- Reduce total cost of test with durable, reliable performance



Product Configuration

Description	SF526S/11N/11N/1000mm
Item number	85089172
Cable type	SUCOFLEX 526S
Length of assembly	1'000 mm
Connector A	11_N (straight male)
Connector B	11_N (straight male)

Technical Data

Mechanical Data

Outer diameter	7.7 mm
Min. bending radius	25.4 mm
Weight	235 g
Crush resistance	26 kgf /cm

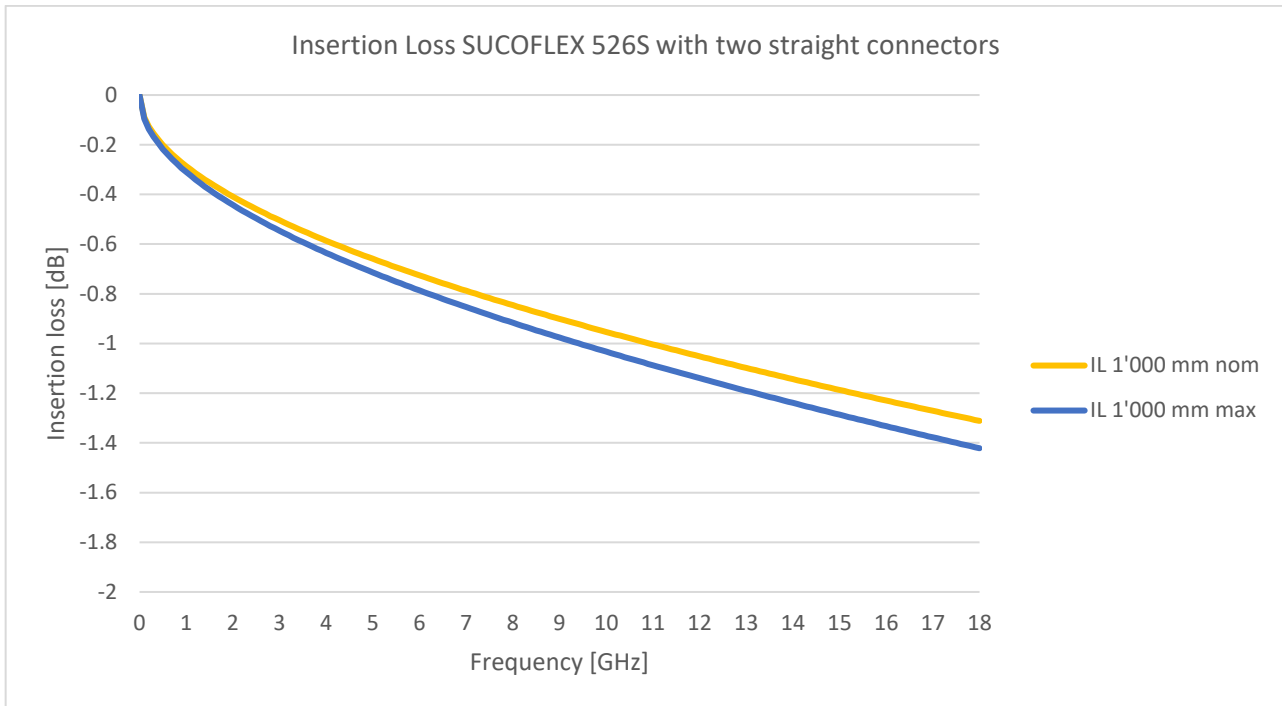
Environmental Data

Operating temperature	-55 ... + 75°C
RoHS, REACH	Compliant

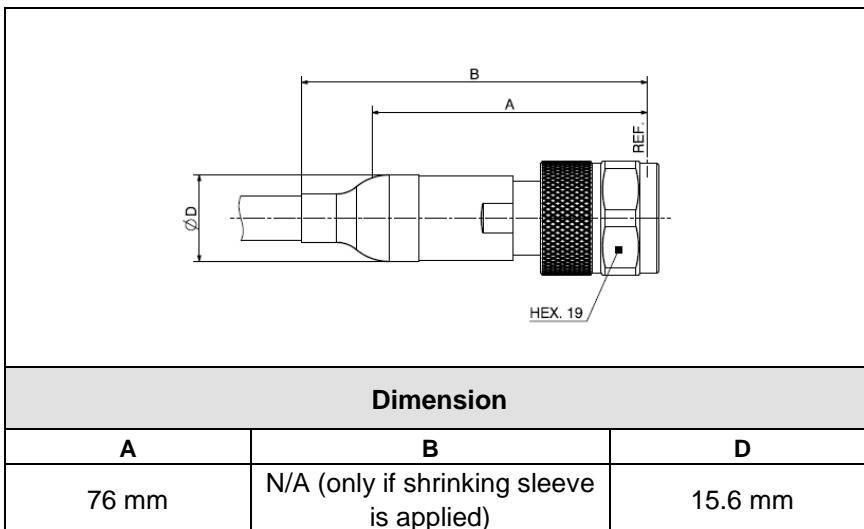
Electrical Data

Impedance	50 Ω
Operating frequency	up to 18.0 GHz
Velocity of propagation	77 %
Time delay	4.3 ns / m
Typical return loss	-25.0 dB
Min. return loss	-19.0 dB
Typical insertion loss	1.32 dB
Max. insertion loss	1.43 dB
Screening effectiveness	> 90 dB
Typ. amplitude stability vs. shaking	± 0.05 dB
Typ. amplitude stability vs. bending	± 0.05 dB
Typ. phase stability vs. bending	± 3.0°

SUCOFLEX® 526S Microwave Cable Assembly



Connector 11_N (straight male)



X-ON Electronics

Largest Supplier of Electrical and Electronic Components

Click to view similar products for [RF Cable Assemblies](#) category:

Click to view products by [Huber & Suhner](#) manufacturer:

Other Similar products are found below :

[73-6352-10](#) [73-6353-3](#) [R285001001](#) [R288940004](#) [145111-05-12.00](#) [1661-C-24](#) [1801171170914KE](#) [24P104C24J1-012](#) [24P104C24P1-006](#)
[24P104C24P1-018](#) [24P204C24J1-003](#) [172-2150-EX](#) [1800920920914PJ](#) [FCB-3030-ALT](#) [21117-046](#) [21117-050](#) [PCX-24-50](#) [24P103C24P2-](#)
[003](#) [25P203C25P2-003](#) [R284008001](#) [R285001021](#) [R285426000](#) [R288940003](#) [4814-BB-24](#) [5260-72](#) [JT2N1-CL1-1F](#) [DLP-COAX1](#) [4814-K-](#)
[48](#) [115101-09-06.00](#) [CCNTN2-MM-LL335-26](#) [73-6351-25](#) [73-6352-3](#) [73-6353-25](#) [1800920920610PJ](#) [GD0BQ0BQ024.0](#) [1-3636-600-5210](#)
[TL8A-11SMA-11SMA-01500-51](#) [R284C0351060](#) [R288940009](#) [R284C0351028](#) [R288940002](#) [9702-1SL-1](#) [PT82NSMA](#) [73-6353-10](#)
[R285020301W](#) [PCX-18-50](#) [Minibend-9](#) [Minibend-4](#) [BNC TO SMA Cable](#) [MIKROE-274](#)