

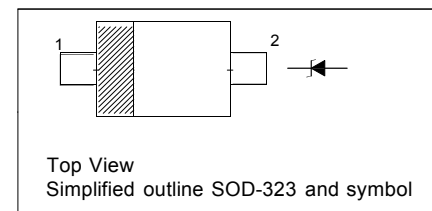
## MM3Z2B4~MM3ZB75 Silicon Planar Zener Diodes

### Features

- Power Dissipation: 300 mW
- Zener Voltage Tolerance:  $\pm 2\%$

### PINNING

PIN	DESCRIPTION
1	Cathode
2	Anode



### Absolute Maximum Ratings ( $T_a = 25\text{ }^\circ\text{C}$ )

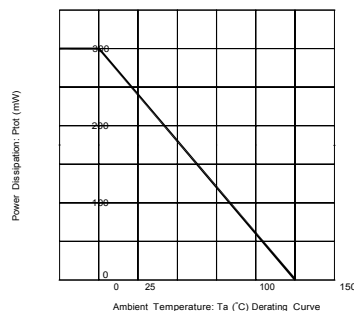
Parameter	Symbol	Value	Unit
Total Power Dissipation	$P_{\text{tot}}$	300	mW
Junction Temperature	$T_j$	150	$^\circ\text{C}$
Storage Temperature Range	$T_{\text{stg}}$	- 55 to + 150	$^\circ\text{C}$

### Characteristics at $T_a = 25\text{ }^\circ\text{C}$

Parameter	Symbol	Max.	Unit
Thermal Resistance Junction to Ambient Air	$R_{\theta\text{JA}}$	417	$^\circ\text{C/W}$
Forward Voltage at $I_F = 10\text{ mA}$	$V_F$	0.9	V

Type	Marking Code	Zener Voltage Range <sup>1)</sup>			Dynamic Impedance		Reverse Leakage Current	
		V <sub>znom</sub> V	I <sub>ZT</sub> mA	for V <sub>ZT</sub> V	Z <sub>ZT</sub> (Max.)	at I <sub>ZT</sub>	I <sub>R</sub> (Max.)	at V <sub>R</sub>
					Ω	mA	μA	V
MM3Z2B4	DN	2.4	5	2.352...2.448	100	5	120	1
MM3Z2B7	DP	2.7	5	2.646...2.754	110	5	120	1
MM3Z3B0	DR	3.0	5	2.94...3.06	120	5	50	1
MM3Z3B3	DX	3.3	5	3.234...3.366	130	5	20	1
MM3Z3B6	DY	3.6	5	3.528...3.672	130	5	10	1
MM3Z3B9	DZ	3.9	5	3.822...3.978	130	5	5	1
MM3Z4B3	ZO	4.3	5	4.214...4.386	130	5	5	1
MM3Z4B7	EB	4.7	5	4.606...4.794	130	5	2	1
MM3Z5B1	EC	5.1	5	4.998...5.202	130	5	2	1.5
MM3Z5B6	ED	5.6	5	5.488...5.712	80	5	1	2.5
MM3Z6B2	EE	6.2	5	6.076...6.324	50	5	1	3
MM3Z6B8	EF	6.8	5	6.664...6.936	30	5	0.5	3.5
MM3Z7B5	EH	7.5	5	7.35...7.65	30	5	0.5	4
MM3Z8B2	EJ	8.2	5	8.036...8.364	30	5	0.5	5
MM3Z9B1	EK	9.1	5	8.918...9.282	30	5	0.5	6
MM3ZB10	EM	10	5	9.8...10.2	30	5	0.1	7
MM3ZB11	EN	11	5	10.78...11.22	30	5	0.1	8
MM3ZB12	EP	12	5	11.76...12.24	35	5	0.1	9
MM3ZB13	ER	13	5	12.74...13.26	35	5	0.1	10
MM3ZB15	EX	15	5	14.7...15.3	40	5	0.1	11
MM3ZB16	EY	16	5	15.68...16.32	40	5	0.1	12
MM3ZB18	EZ	18	5	17.64...18.36	45	5	0.1	13
MM3ZB20	FA	20	5	19.6...20.4	50	5	0.1	15
MM3ZB22	FB	22	5	21.56...22.44	55	5	0.1	17
MM3ZB24	FC	24	5	23.52...24.48	60	5	0.1	19
MM3ZB27	FD	27	5	26.46...27.54	70	2	0.1	21
MM3ZB30	FE	30	5	29.4...30.6	80	2	0.1	23
MM3ZB33	FF	33	5	32.34...33.66	80	2	0.1	25
MM3ZB36	FH	36	5	35.28...36.72	90	2	0.1	27
MM3ZB39	FJ	39	2.5	38.22...39.78	100	2	2	30
MM3ZB43	XJ	43	2.5	42.14...43.86	130	2	2	33
MM3ZB47	XK	47	2.5	46.06...47.94	150	2	2	36
MM3ZB51	XM	51	2.5	49.98...52.02	180	2	1	39
MM3ZB56	XN	56	2.5	54.88...57.12	180	2	1	43
MM3ZB62	XP	62	2.5	60.76...63.24	200	2	0.2	47
MM3ZB68	XR	68	2.5	66.64...69.36	250	2	0.2	52
MM3ZB75	XX	75	2.5	73.5...76.5	300	2	0.2	57

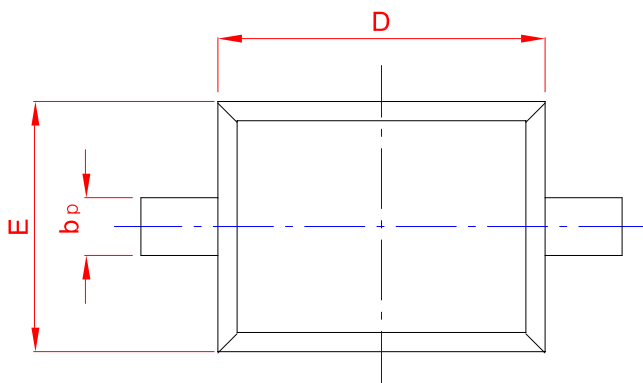
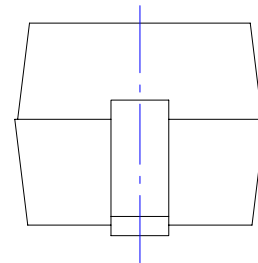
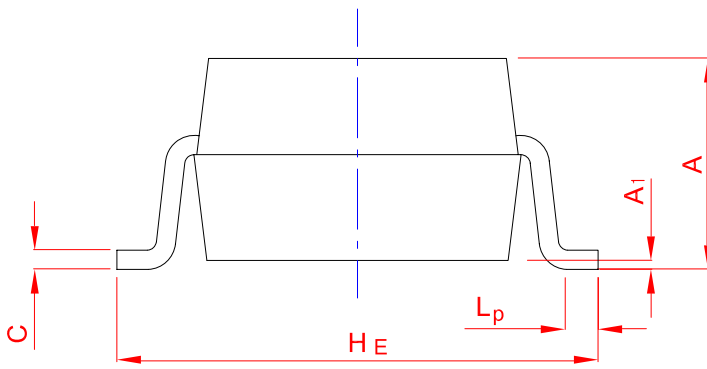
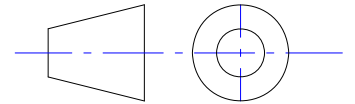
<sup>1)</sup> V<sub>Z</sub> is tested with pulses (20 ms).



## PACKAGE OUTLINE

Plastic surface mounted package; 2 leads

SOD-323



UNIT	A	bp	C	D	E	HE	A1	Lp
mm	1.20 0.90	0.40 0.25	0.15 0.10	1.80 1.60	1.35 1.15	2.80 2.30	0.10 0.01	0.50 0.20

## X-ON Electronics

Largest Supplier of Electrical and Electronic Components

*Click to view similar products for [Zener Diodes](#) category:*

*Click to view products by [Huixin](#) manufacturer:*

Other Similar products are found below :

[RKZ13B2KG#P1](#) [DL5234B](#) [EDZTE6113B](#) [1N4682](#) [1N4691](#) [1N4693](#) [1N4732A](#) [1N4736A](#) [1N4750A](#) [1N4759ARL](#) [1N5241B](#) [1N5365B](#)  
[1N5369B](#) [1N747A](#) [1N959B](#) [1N964B](#) [1N966B](#) [1N968B](#) [1N972B](#) [NTE5121A](#) [NTE5147A](#) [NTE5152A](#) [NTE5155A](#) [NTE5164A](#)  
[JANS1N4974US](#) [JANTX1N5907](#) [1N4692](#) [1N4700](#) [1N4702](#) [1N4704](#) [1N4711](#) [1N4714](#) [1N4737A](#) [1N4745ARL](#) [1N4752A](#) [1N4752ARL](#)  
[1N4760ARL](#) [1N5221B](#) [1N5231B-TR](#) [1N5236B](#) [1N5241BTR](#) [1N5242BTR](#) [1N5350B](#) [1N5352B](#) [1N961BRR1](#) [1N964BRL](#) [RKZ5.1BKU#P6](#)  
[3SMAJ5946B-TP](#) [3SMAJ5950B-TP](#) [3SMBJ5925B-TP](#)