



## GENERAL SPECIFICATIONS (电气特性)

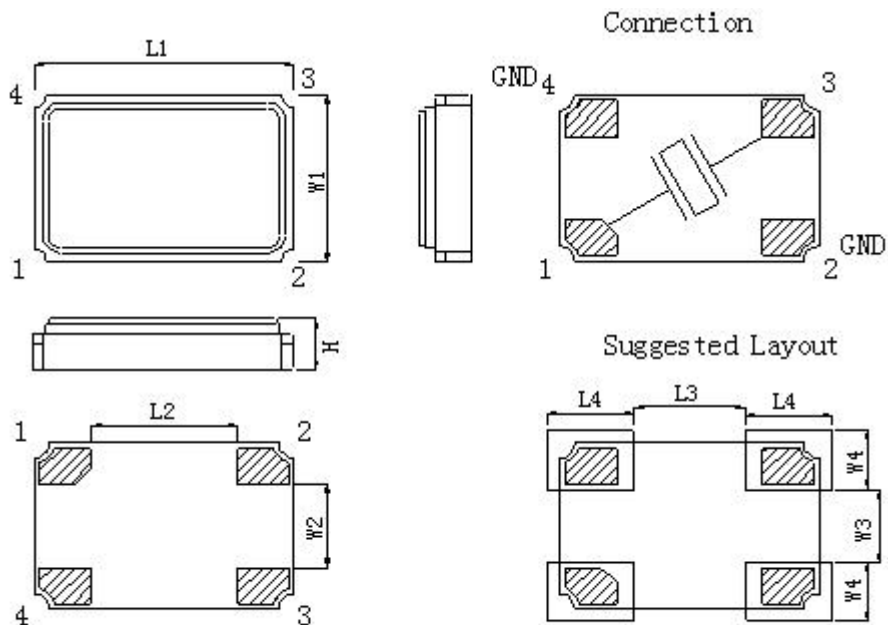
|  |  |
|--|--|
| 1. Series model:<br>(系列号)                          | SMD3225  |
| 2. Normal Frequency:<br>(标称频率)                     | 8~54MHz  |
| 3. Oscillation Mode:<br>(振动模式)                     | <input checked="" type="checkbox"/> Fundamental <input type="checkbox"/> 3rd                                       |
| 4. Load Capacitance(CL):<br>(负载电容)                 | 20PF   |
| 5. Frequency Tolerance 25±3℃:<br>(频率偏差 25±3℃)      | ±10PPM   |
| 6. Stability Over Temperature Range:<br>(工作温度频率偏差) | ±30 PPM  |
| 7. Effective Series Resistance:<br>(等效电阻)          | 8~9.84375MHZ ≤ 180 Ω<br>10~11.0592MHZ ≤ 120 Ω<br>12~13.560MHZ ≤ 80 Ω<br>13.598~14.318MHZ ≤ 60 Ω<br>16~54MHZ ≤ 40 Ω |
| 8. Shunt Capacitance(C0):<br>(静态电容)                | ≤ 5 PF   |
| 9. Typical drive level:<br>(激励功率)                  | 10 uW TYP.   |
| 10. Operation Temperature Range:<br>(工作温度范围)       | -40℃ to +85℃   |
| 11. Storage Temperature:<br>(存储温度)                 | -40℃ to +85℃   |
| 12. Insulation Resistance:<br>(绝缘阻抗)               | ≥500 MΩ at DC 100V   |
| 13. Aging:<br>(老化率)                                | ±3 PPM/Year  |
| 14. Leak<br>(检漏)                                   | 1×10 <sup>-7</sup> Torr.1/sec Max  |
| 15. Test circuit<br>(测试仪器)                         | S&A 250B Pi-Network Crystal Measurement System   |

Remark (备注) :

晶振最佳储存条件: 温度: 25±5℃, 湿度: <70% 。

密封包装, 切勿挤压, 小心跌落。

## DIMENSIONS SPECIFICATIONS (外形尺寸)



Marking #2and#4 are connected to metal cap of top

| 型号   | 外形尺寸(±0.15mm) |     |     |     |     |     |     |     |     |
|------|---------------|-----|-----|-----|-----|-----|-----|-----|-----|
|      | L1            | L2  | L3  | L4  | W1  | W2  | W3  | W4  | H   |
| 5032 | 5.0           | 3.0 | 1.2 | 1.7 | 3.2 | 0.9 | 0.7 | 1.5 | 0.9 |
| 3225 | 3.2           | 1.3 | 0.8 | 1.4 | 2.5 | 0.7 | 0.5 | 1.2 | 0.7 |
| 2520 | 2.5           | 0.9 | 0.6 | 1.1 | 2.0 | 0.6 | 0.4 | 1.0 | 0.5 |
| 2016 | 2.0           | 0.7 | 0.5 | 0.9 | 1.6 | 0.5 | 0.3 | 0.8 | 0.5 |



## STRUCTURE DIAGRAM (结构图示)



## PACKING (包装)

Shear strength between cover and carrier tape should be 30-100g.

Carrier tape should be folded over three times with no break at all.



| DIMENSIONS  |            | A          | B          | C        | D        | E          | L         | L1          | W        | W1   |
|-------------|------------|------------|------------|----------|----------|------------|-----------|-------------|----------|------|
|             | 7050       | 2.15       | 7.9        | 5.4      | 8        | 16         | 180       | 13          | 21.5     | 17.5 |
| 6035        | 1.5        | 6.4        | 3.9        | 8        | 12       | 180        | 13        | 15.4        | 13       |      |
| 5032        | 1.5        | 5.5        | 3.6        | 8        | 12       | 180        | 13        | 15.4        | 13       |      |
| <b>3225</b> | <b>1.4</b> | <b>3.5</b> | <b>2.7</b> | <b>4</b> | <b>8</b> | <b>180</b> | <b>13</b> | <b>11.5</b> | <b>8</b> |      |
| 2520        | 1.2        | 3.4        | 2.5        | 4        | 8        | 180        | 13        | 11.5        | 8        |      |

Unit : mm

Standard Reel Quantity is **3000 pcs** per reel.

## X-ON Electronics

Largest Supplier of Electrical and Electronic Components

*Click to view similar products for [Crystals](#) category:*

*Click to view products by [Huiyuan crystal](#) manufacturer:*

Other Similar products are found below :

[CX3225GB25000M0PPSZ1](#) [718-13.2-1](#) [7A-40.000MAAE-T](#) [FL2000085](#) [99-BU](#) [9B-15.360MBBK-B](#) [9C-7.680MBBK-T](#) [H10S-12.000-18-EXT-TR](#) [ABC2-6.000MHZ-D4Z-T](#) [ABLS-20.000MHZ-D2-T](#) [ABS071-32.768KHZ-6-T](#) [R38-32.768-12.5-5PPM-NPB](#) [BTD1062E05A-513](#) [21U15A-21.4MHZ](#) [RTX-781DF1-S-20.950](#) [LFXTAL066198Cutt](#) [9C-14.31818MBBK-T](#) [A-11.000MHZ-27](#) [ABL-27.000MHZ-B4Y-T](#) [ABM11-132-24.000MHZ-T3](#) [ABM3B1-25.000MHZ-D2Y-T](#) [SPT2A-.032768B](#) [SPT2A.032768G](#) [LFXTAL065253Cutt](#) [LFXTAL066431Cutt](#) [XT9S20ANA14M7456](#) [XT9SNLANA16M](#) [7A-24.576MBBK-T](#) [7B-30.000MBBK-T](#) [CX2520DB16000H0HPQCC](#) [MMCC2R32.7680KHZ](#) [6504-202-1501](#) [6526-202-1501](#) [ABLS-12.000MHZ-B2Y-T](#) [7A-10.000MBBK-T](#) [SG636PCE-20.000MC](#) [3404](#) [CM315D32768EZFT](#) [C1E-24.000-7-2020-R](#) [C1E-19.200-12-1530-X-R](#) [C1E-16.000-12-1530-X-R](#) [ABM11-16.000MHZ-9-B1U-T](#) [FL5000014](#) [EUCA18-3.1872M](#) [FX0800015](#) [425F35E027M0000](#) [FP0800018](#) [MS3V-T1R-32.768kHz-7pF-20PPM-TA-QC-Au](#) [VXM7-1C1-16M000](#) [MS3V-T1R-32.768kHz-9pF-20PPM-TA-QC-Au](#)