



GENERAL SPECIFICATIONS (电气特性)

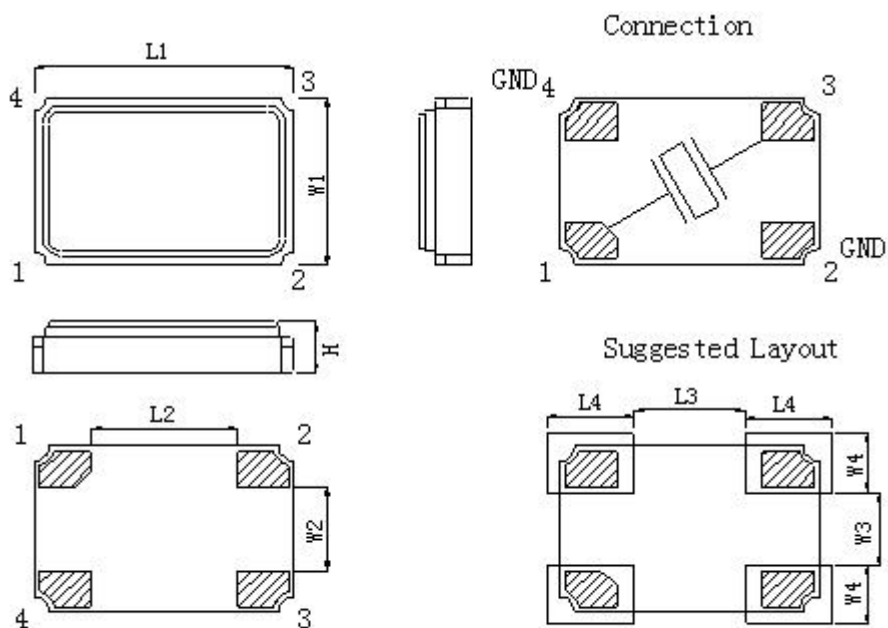
| | |
|--|--|
| 1. Series model: (系列号) | SMD3225 |
| 2. Normal Frequency: (标称频率) | 8~54MHz |
| 3. Oscillation Mode: (振动模式) | <input checked="" type="checkbox"/> Fundamental <input type="checkbox"/> 3rd |
| 4. Load Capacitance(CL): (负载电容) | 20PF |
| 5. Frequency Tolerance 25±3℃: (频率偏差 25±3℃) | ±10PPM |
| 6. Stability Over Temperature Range: (工作温度频率偏差) | ±30 PPM |
| 7. Effective Series Resistance: (等效电阻) | 8~9.84375MHZ ≤ 180 Ω 10~11.0592MHZ ≤ 120 Ω 12~13.560MHZ ≤ 80 Ω 13.598~14.318MHZ ≤ 60 Ω 16~54MHZ ≤ 40 Ω |
| 8. Shunt Capacitance(C0): (静态电容) | ≤ 5 PF |
| 9. Typical drive level: (激励功率) | 10 uW TYP. |
| 10. Operation Temperature Range: (工作温度范围) | -40℃ to +85℃ |
| 11. Storage Temperature: (存储温度) | -40℃ to +85℃ |
| 12. Insulation Resistance: (绝缘阻抗) | ≥500 MΩ at DC 100V |
| 13. Aging: (老化率) | ±3 PPM/Year |
| 14. Leak (检漏) | 1×10 ⁻⁷ Torr.1/sec Max |
| 15. Test circuit (测试仪器) | S&A 250B Pi-Network Crystal Measurement System |

Remark (备注):

晶振最佳储存条件: 温度: 25±5℃, 湿度: <70%。

密封包装, 切勿挤压, 小心跌落。

DIMENSIONS SPECIFICATIONS (外形尺寸)



Marking #2and#4 are connected to metal cap of top

| 型号 | 外形尺寸(±0.15mm) | | | | | | | | |
|------|---------------|-----|-----|-----|-----|-----|-----|-----|-----|
| | L1 | L2 | L3 | L4 | W1 | W2 | W3 | W4 | H |
| 5032 | 5.0 | 3.0 | 1.2 | 1.7 | 3.2 | 0.9 | 0.7 | 1.5 | 0.9 |
| 3225 | 3.2 | 1.3 | 0.8 | 1.4 | 2.5 | 0.7 | 0.5 | 1.2 | 0.7 |
| 2520 | 2.5 | 0.9 | 0.6 | 1.1 | 2.0 | 0.6 | 0.4 | 1.0 | 0.5 |
| 2016 | 2.0 | 0.7 | 0.5 | 0.9 | 1.6 | 0.5 | 0.3 | 0.8 | 0.5 |



STRUCTURE DIAGRAM (结构图示)



PACKING (包装)

Shear strength between cover and carrier tape should be 30-100g.

Carrier tape should be folded over three times with no break at all.



| DIMENSIONS | | A | B | C | D | E | L | L1 | W | W1 |
|-------------|------|------------|------------|------------|----------|----------|------------|-----------|-------------|----------|
| | 7050 | | 2.15 | 7.9 | 5.4 | 8 | 16 | 180 | 13 | 21.5 |
| 6035 | | 1.5 | 6.4 | 3.9 | 8 | 12 | 180 | 13 | 15.4 | 13 |
| 5032 | | 1.5 | 5.5 | 3.6 | 8 | 12 | 180 | 13 | 15.4 | 13 |
| 3225 | | 1.4 | 3.5 | 2.7 | 4 | 8 | 180 | 13 | 11.5 | 8 |
| 2520 | | 1.2 | 3.4 | 2.5 | 4 | 8 | 180 | 13 | 11.5 | 8 |

Unit : mm

Standard Reel Quantity is **3000 pcs** per reel.

X-ON Electronics

Largest Supplier of Electrical and Electronic Components

Click to view similar products for [Crystals](#) category:

Click to view products by [Huiyuan crystal](#) manufacturer:

Other Similar products are found below :

[CX3225GB25000M0PPSZ1](#) [718-13.2-1](#) [7A-40.000MAAE-T](#) [FL2000085](#) [99-BU](#) [9B-15.360MBBK-B](#) [9C-7.680MBBK-T](#) [H10S-12.000-18-EXT-TR](#) [ABC2-6.000MHZ-D4Z-T](#) [ABLS-20.000MHZ-D2-T](#) [ABS071-32.768KHZ-6-T](#) [R38-32.768-12.5-5PPM-NPB](#) [BTD1062E05A-513](#) [21U15A-21.4MHZ](#) [RTX-781DF1-S-20.950](#) [LFXTAL066198Cutt](#) [9C-14.31818MBBK-T](#) [A-11.000MHZ-27](#) [ABL-27.000MHZ-B4Y-T](#) [ABM11-132-24.000MHZ-T3](#) [ABM3B1-25.000MHZ-D2Y-T](#) [SPT2A-.032768B](#) [SPT2A.032768G](#) [LFXTAL065253Cutt](#) [LFXTAL066431Cutt](#) [XT9S20ANA14M7456](#) [XT9SNLANA16M](#) [7A-24.576MBBK-T](#) [7B-30.000MBBK-T](#) [CX2520DB16000H0HPQCC](#) [MMCC2R32.7680KHZ](#) [6504-202-1501](#) [6526-202-1501](#) [ABLS-12.000MHZ-B2Y-T](#) [7A-10.000MBBK-T](#) [SG636PCE-20.000MC](#) [3404](#) [CM315D32768EZFT](#) [C1E-24.000-7-2020-R](#) [C1E-19.200-12-1530-X-R](#) [C1E-16.000-12-1530-X-R](#) [ABM11-16.000MHZ-9-B1U-T](#) [FL5000014](#) [EUCA18-3.1872M](#) [FX0800015](#) [425F35E027M0000](#) [FP0800018](#) [MS3V-T1R-32.768kHz-7pF-20PPM-TA-QC-Au](#) [VXM7-1C1-16M000](#) [MS3V-T1R-32.768kHz-9pF-20PPM-TA-QC-Au](#)