



## GENERAL SPECIFICATIONS (电气特性)

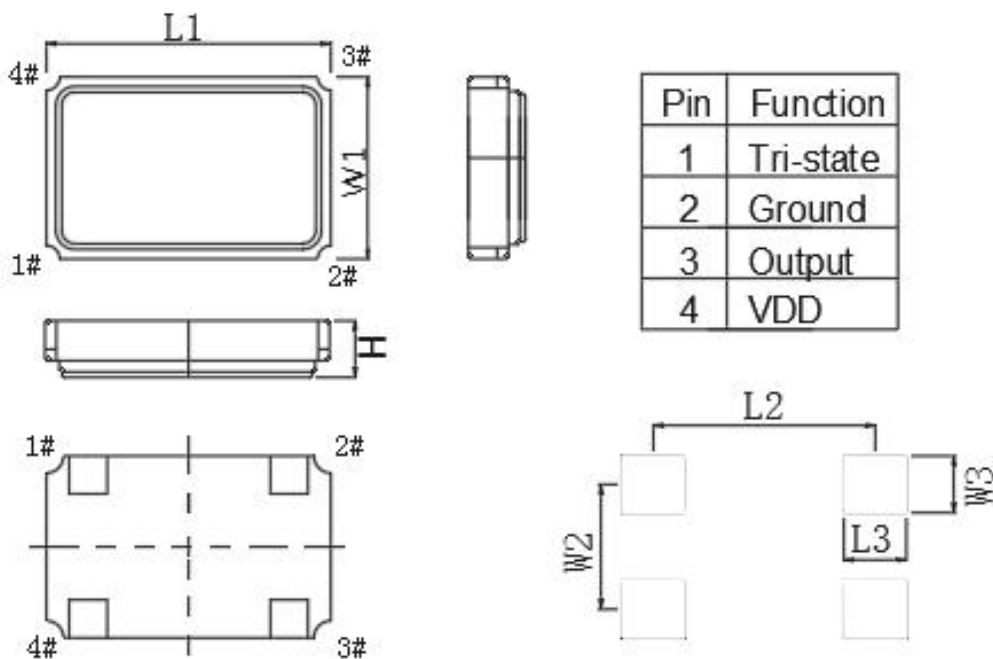
|   |                              |          |
|---|------------------------------|----------|
| 1. Holder type:<br>(型号)                         | SMD2520                      |          |
| 2. Normal Frequency:<br>(标称频率)                  | 20.000000MHz    25.000000MHz |          |
| 3. Supply Voltage :<br>(工作电压)                   | 3.3V±0.1V                    |          |
| 4. Wave Form :<br>(输出波形)                        | Square Wave                  |          |
| 5. Load Capacitance(CL):<br>(负载电容)              | 15PF                         |          |
| 6. Frequency Tolerance 25±3°C:<br>(频率公差 25±3°C) | ≤±20 PPM                     |          |
| 7. Frequency-Load Stability :<br>(频率-负载稳定度)     | ≤±20 PPM                     |          |
| 8. Frequency-Vs Stability :<br>(电源电压稳定度)        | ≤±20 PPM                     |          |
| 9. Vc Input Impedance:<br>(电压输入阻抗)              | ≥500 KΩ                      |          |
| 10. Duty :<br>(占控比)                             | 45%~55%                      |          |
| 11. Out level:<br>(输出电平)                        | Logic "1"                    | ≥90% VDD |
|   | Logic "0"                    | ≤10% VDD |
| 12. Operation Temperature Range:<br>(工作温度范围)    | -40°C to +85°C               |          |
| 13. Storage Temperature:<br>(存储温度)              | -55°C to +125°C              |          |
| 14. Start Time:<br>(开始时间)                       | ≤2mSec                       |          |
| 15. Aging:<br>(老化率)                             | ≤±3 PPM/Year                 |          |
| 16. Supply Current:<br>(工作电流)                   | ≤10mA                        |          |
| 17. Standby Current:<br>(待机电流)                  | ≤15 μA                       |          |
| 18. Pulling Range:<br>(牵引范围)                    | ≥±5.0PPm                     |          |

Remark (备注) :

晶振最佳储存条件: 温度: 25±5°C, 湿度: <70% 。  
密封包装, 切勿挤压, 小心跌落。

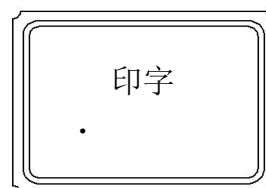


## DIMENSIONS SPECIFICATIONS (外形尺寸)

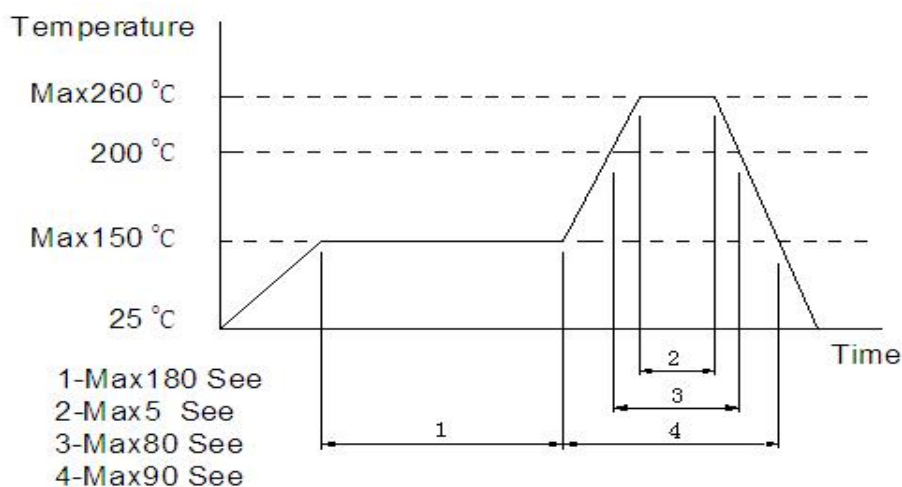


| Pin | Function  |
|-----|-----------|
| 1   | Tri-state |
| 2   | Ground    |
| 3   | Output    |
| 4   | VDD       |

| 型号   | 外形尺寸 (±0.15mm) |     |     |     |     |     |     |
|------|----------------|-----|-----|-----|-----|-----|-----|
|      | L1             | L2  | L3  | W1  | W2  | W3  | H   |
| 7050 | 7.0            | 5.0 | 2.1 | 5.0 | 4.2 | 2.1 | 1.8 |
| 5032 | 5.0            | 2.5 | 1.2 | 3.2 | 2.2 | 1.2 | 1.5 |
| 3225 | 3.2            | 1.8 | 0.8 | 2.5 | 1.6 | 0.8 | 1.1 |
| 2520 | 2.5            | 0.9 | 0.6 | 1.1 | 2.0 | 0.6 | 0.5 |



## SODLE REFLOW PROFILE (回流焊曲线)

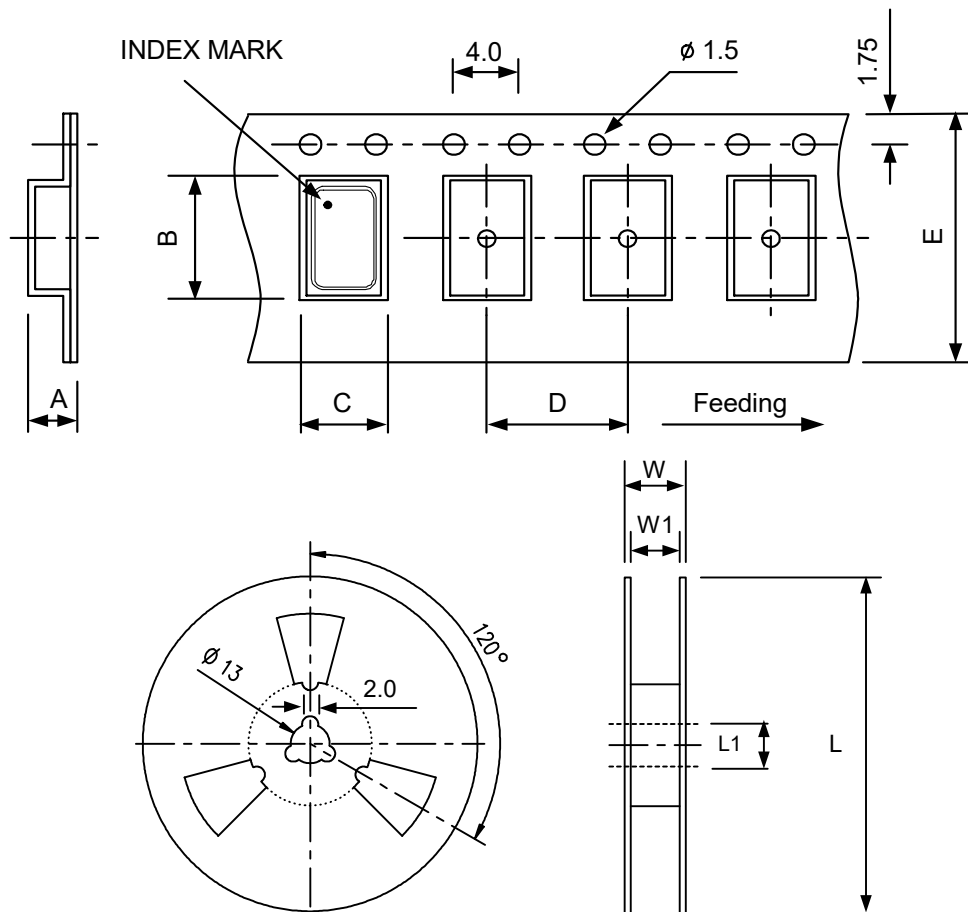


## PACKING (包装)



Shear strength between cover and carrier tape should be 30-100g.

Carrier tape should be folded over three times with no break at all.



| DIMENSIONS |             | A          | B          | C          | D        | E        | L          | L1        | W           | W1       |
|------------|-------------|------------|------------|------------|----------|----------|------------|-----------|-------------|----------|
|            | 7050        | 2.15       | 7.9        | 5.4        | 8        | 16       | 180        | 13        | 21.5        | 17.5     |
|            | 6035        | 1.5        | 6.4        | 3.9        | 8        | 12       | 180        | 13        | 15.4        | 13       |
|            | 5032        | 1.5        | 5.5        | 3.6        | 8        | 12       | 180        | 13        | 15.4        | 13       |
|            | 3225        | 1.4        | 3.5        | 2.7        | 4        | 8        | 180        | 13        | 11.5        | 8        |
|            | <b>2520</b> | <b>1.2</b> | <b>3.4</b> | <b>2.5</b> | <b>4</b> | <b>8</b> | <b>180</b> | <b>13</b> | <b>11.5</b> | <b>8</b> |

Unit : mm

Standard Reel Quantity is **3000 pcs** per reel.

## X-ON Electronics

Largest Supplier of Electrical and Electronic Components

*Click to view similar products for [Standard Clock Oscillators](#) category:*

*Click to view products by [Huiyuan crystal](#) manufacturer:*

Other Similar products are found below :

[601252](#) [F335-25](#) [F535L-33.333](#) [F535L-50](#) [NBXHBA019LN1TAG](#) [SiT1602BI-22-33E-50.000000E](#) [SIT8918AA-11-33S-50.000000G](#)  
[SM4420TEV-40.0M-T1K](#) [F335-24](#) [F335-40](#) [F535L-10](#) [F535L-12](#) [F535L-24](#) [F535L-27](#) [PE7744DW-100.0M](#) [ASF1-3.686MHZ-N-K-S](#) [ASV-](#)  
[4.000MHZ-LCS-T](#) [XO57CTECNA3M6864](#) [601251](#) [SiT8503AI-18-33E-0.200000X](#) [SIT9122AI2C233E300.000000X](#) [9120AC-2D2-](#)  
[33E212.500000](#) [9102AI-243N25E100.000000](#) [8208AC-82-18E-25.000000](#) [8008AI-72-XXE-24.545454E](#) [8004AC-13-33E-133.330000X](#) [AS-](#)  
[4.9152-16-SMD-TR](#) [ASFL1-48.000MHZ-LC-T](#) [632L3I004M000000](#) [SIT8920AM-31-33E-25.000000](#) [DSC1028DI2-019.2000](#) [9121AC-2C3-](#)  
[25E100.000000](#) [9102AI-233N33E100.000000X](#) [9102AI-233N25E200.000000](#) [9102AI-232H25S125.000000](#) [9102AI-133N25E200.000000](#) [9102AC-](#)  
[283N25E200.000000](#) [9001AC-33-33E1-30.000000](#) [8103AC-13-33E-12.000000X](#) [3921AI-2CF-33NZ125.000000](#) [5730-1SF](#) [XUN736000.032768I](#)  
[ASV-25.000MHZ-ECS-50-T](#) [EC3925ETTTS-100.000M TR](#) [SIT1602BC-83-33E-10.000000Y](#) [8003AI-12-33S-40.000000Y](#) [1602BI-13-33S-](#)  
[19.200000E](#) [8208AI-2F-18E-25.000000X](#) [8103AI-83-33E-33.000000X](#) [8208AI-8F-33E-66.666666X](#)