



GENERAL SPECIFICATIONS (电气特性)

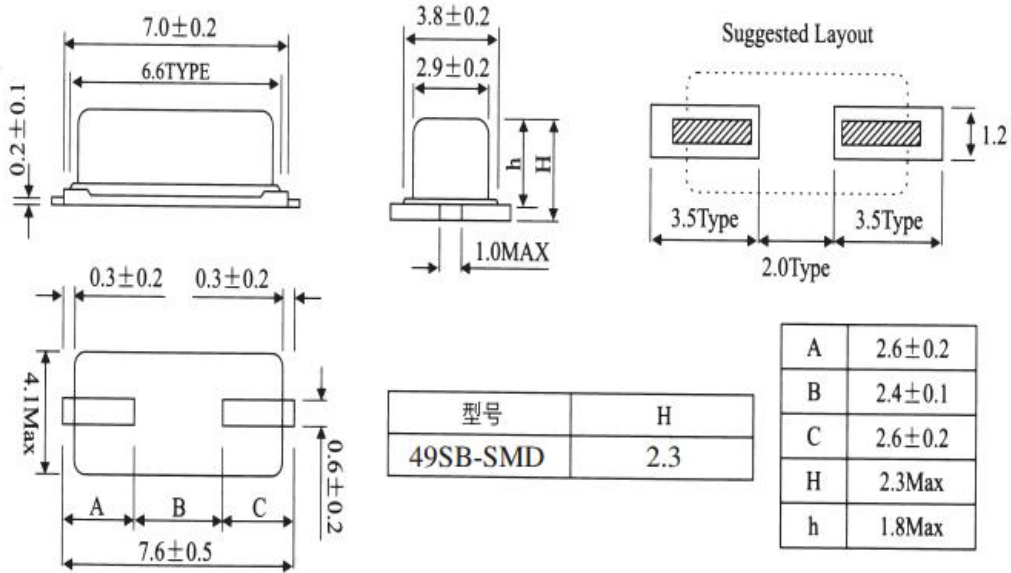
| | |
|--|---|
| 1. Series model: (系列号) | 49SB-SMD |
| 2. Normal Frequency: (标称频率) | 6.7458~32MHz |
| 3. Oscillation Mode: (振动模式) | <input checked="" type="checkbox"/> Fundamental <input type="checkbox"/> 3rd |
| 4. Load Capacitance(CL): (负载电容) | 20PF |
| 5. Frequency Tolerance 25±3°C: (频率偏差 25±3°C) | ±10 PPM |
| 6. Stability Over Temperature Range: (工作温度频率偏差) | ±20 PPM at -20°C to +70°C |
| 7. Effective Series Resistance: (等效电阻) | 6.7458~13.560MHZ ≤ 60 Ω 16MHZ ≤ 50 Ω 18.432~24.576MHZ ≤ 40 Ω 25~32MHZ ≤ 35 Ω |
| 8. Shunt Capacitance(C0): (静态电容) | ≤ 5 PF |
| 9. Typical drive level: (激励功率) | 10 uW TYP. |
| 10. Operation Temperature Range: (工作温度范围) | -40°C to +85°C |
| 11. Storage Temperature: (存储温度) | -40°C to +85°C |
| 12. Insulation Resistance: (绝缘阻抗) | ≥500 MΩ at DC 100V |
| 13. Aging: (老化率) | ±3 PPM/Year |
| 14. Leak (检漏) | 1×10 ⁻⁷ Torr.1/sec Max |
| 15. Test circuit (测试仪器) | S&A 250B Pi-Network Crystal Measurement System |

Remark (备注):

晶振最佳储存条件: 温度: 25±5°C, 湿度: <70%。
密封包装, 切勿挤压, 切勿超过 30cm 的高度跌落。



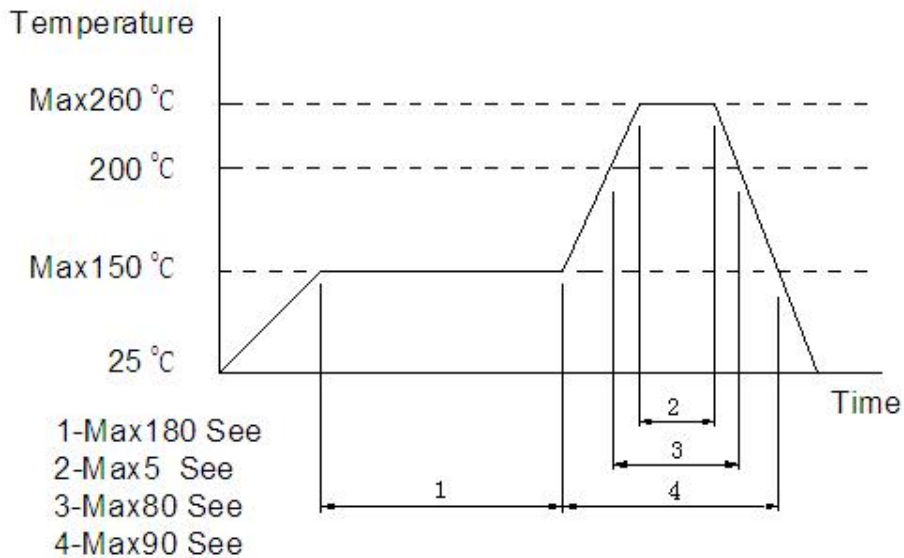
DIMENSIONS SPECIFICATIONS (外形尺寸)



MARK (印字)



SODLE REFLOW PROFILE (回流焊曲线)

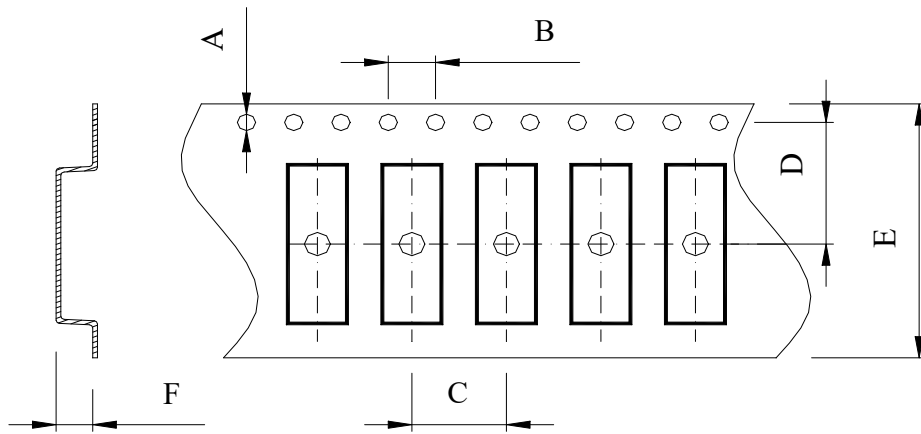




PACKING (包装)

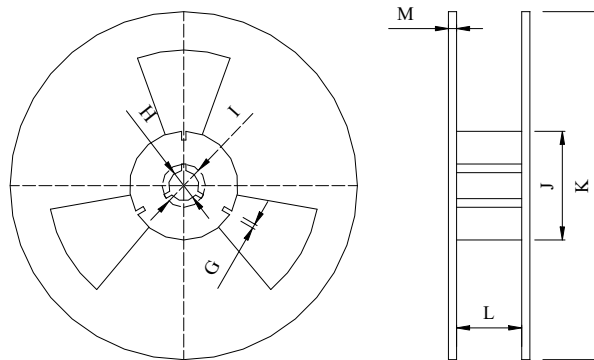
Shear strength between cover and carrier tape should be 30-100g.
Carrier tape should be folded over three times with no break at all.

Tape Dimensions(unit: mm)



| A | B | C | D | E | F |
|-----------|---------|---------|----------|----------|---------|
| 1.55±0.05 | 4.0±0.1 | 8.0±0.1 | 11.5±0.1 | 24.0±0.3 | 4.5±0.1 |

Reel Dimensions(unit: mm)



| G | H | I | J | K | L | M |
|---------|----------|----------|-----------|---------|----------|---------|
| 2.2±0.5 | 13.0±0.2 | 20.2±1.0 | 100.0±1.0 | 330±2.0 | 24.5±0.3 | 2.3±0.5 |

Standard Reel Quantity is **3000 pcs** per reel.

X-ON Electronics

Largest Supplier of Electrical and Electronic Components

Click to view similar products for [Crystals](#) category:

Click to view products by [Huiyuan crystal](#) manufacturer:

Other Similar products are found below :

[CX3225GB25000M0PPSZ1](#) [718-13.2-1](#) [7A-40.000MAAE-T](#) [FL2000085](#) [99-BU](#) [9B-15.360MBBK-B](#) [9C-7.680MBBK-T](#) [H10S-12.000-18-EXT-TR](#) [ABC2-6.000MHZ-D4Z-T](#) [ABLS-20.000MHZ-D2-T](#) [ABS071-32.768KHZ-6-T](#) [R38-32.768-12.5-5PPM-NPB](#) [BTD1062E05A-513](#) [21U15A-21.4MHZ](#) [RTX-781DF1-S-20.950](#) [LFXTAL066198Cutt](#) [9C-14.31818MBBK-T](#) [A-11.000MHZ-27](#) [ABL-27.000MHZ-B4Y-T](#) [ABM11-132-24.000MHZ-T3](#) [ABM3B1-25.000MHZ-D2Y-T](#) [SPT2A-.032768B](#) [SPT2A.032768G](#) [LFXTAL065253Cutt](#) [LFXTAL066431Cutt](#) [XT9S20ANA14M7456](#) [XT9SNLANA16M](#) [7A-24.576MBBK-T](#) [7B-30.000MBBK-T](#) [CX2520DB16000H0HPQCC](#) [MMCC2R32.7680KHZ](#) [6504-202-1501](#) [6526-202-1501](#) [ABLS-12.000MHZ-B2Y-T](#) [7A-10.000MBBK-T](#) [SG636PCE-20.000MC](#) [3404](#) [CM315D32768EZFT](#) [C1E-24.000-7-2020-R](#) [C1E-19.200-12-1530-X-R](#) [C1E-16.000-12-1530-X-R](#) [ABM11-16.000MHZ-9-B1U-T](#) [FL5000014](#) [EUCA18-3.1872M](#) [FX0800015](#) [425F35E027M0000](#) [FP0800018](#) [MS3V-T1R-32.768kHz-7pF-20PPM-TA-QC-Au](#) [VXM7-1C1-16M000](#) [MS3V-T1R-32.768kHz-9pF-20PPM-TA-QC-Au](#)