



## GENERAL SPECIFICATIONS (电气特性)

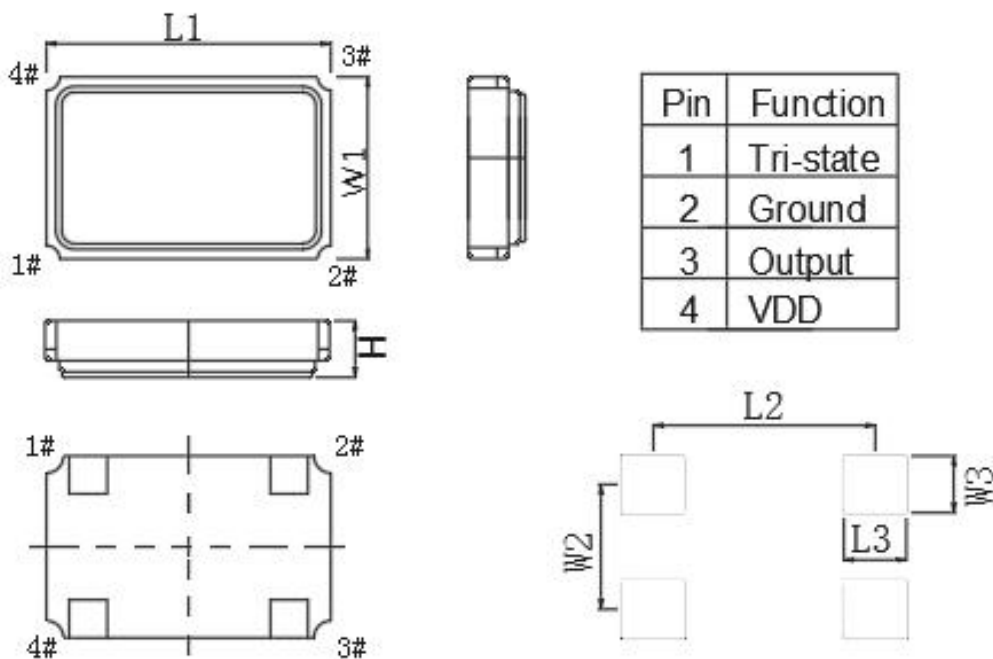
1. Holder type: (型号)	SMD3225	
2. Normal Frequency: (标称频率)	8-48.000000MHZ 32.768000KHz	
3. Supply Voltage : (工作电压)	3.3V±0.1V	
4. Wave Form : (输出波形)	Square Wave	
5. Load Capacitance(CL): (负载电容)	15PF	
6. Frequency Tolerance 25±3°C: (频率公差 25±3°C)	≤±20 PPM	
7. Frequency-Load Stability : (频率-负载稳定度)	≤±20 PPM	
8. Frequency-Vs Stability : (电源电压稳定度)	≤±20 PPM	
9. Vc Input Impedance: (电压输入阻抗)	≥500 KΩ	
10. Duty : (占控比)	45%~55%	
11. Out level: (输出电平)	Logic "1"	≥90% VDD
	Logic "0"	≤10% VDD
12. Operation Temperature Range: (工作温度范围)	-40°C to +85°C	
13. Storage Temperature: (存储温度)	-55°C to +125°C	
14. Start Time: (开始时间)	≤2mSec	
15. Aging: (老化率)	≤±3 PPM/Year	
16. Supply Current: (工作电流)	≤10mA	
17. Standby Current: (待机电流)	≤15 μA	
18. Pulling Range: (牵引范围)	≥±5.0PPm	

Remark (备注):

晶振最佳储存条件: 温度: 25±5°C, 湿度: <70%。  
密封包装, 切勿挤压, 小心跌落。

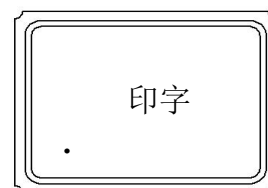


## DIMENSIONS SPECIFICATIONS (外形尺寸)

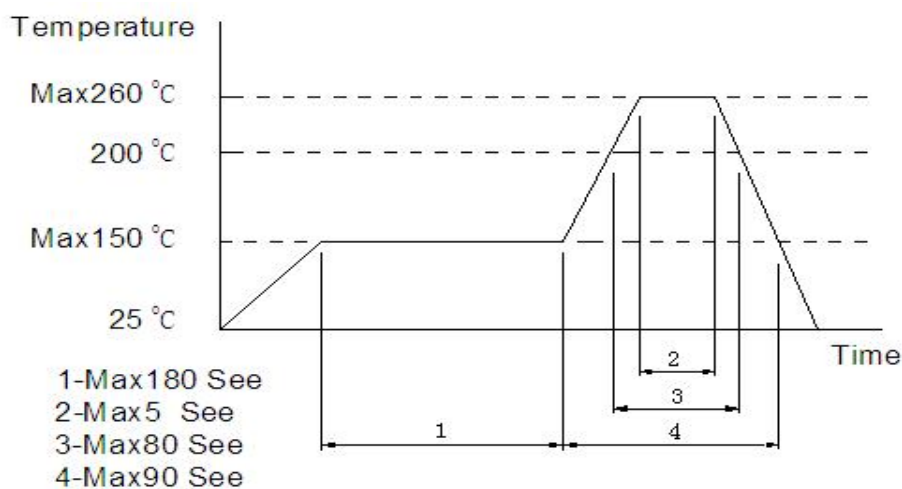


Pin	Function
1	Tri-state
2	Ground
3	Output
4	VDD

型号	外形尺寸(±0.15mm)						
	L1	L2	L3	W1	W2	W3	H
7050	7.0	5.0	2.1	5.0	4.2	2.1	1.8
5032	5.0	2.5	1.2	3.2	2.2	1.2	1.5
3225	3.2	1.8	0.8	2.5	1.6	0.8	1.1



## SODLE REFLOW PROFILE (回流焊曲线)

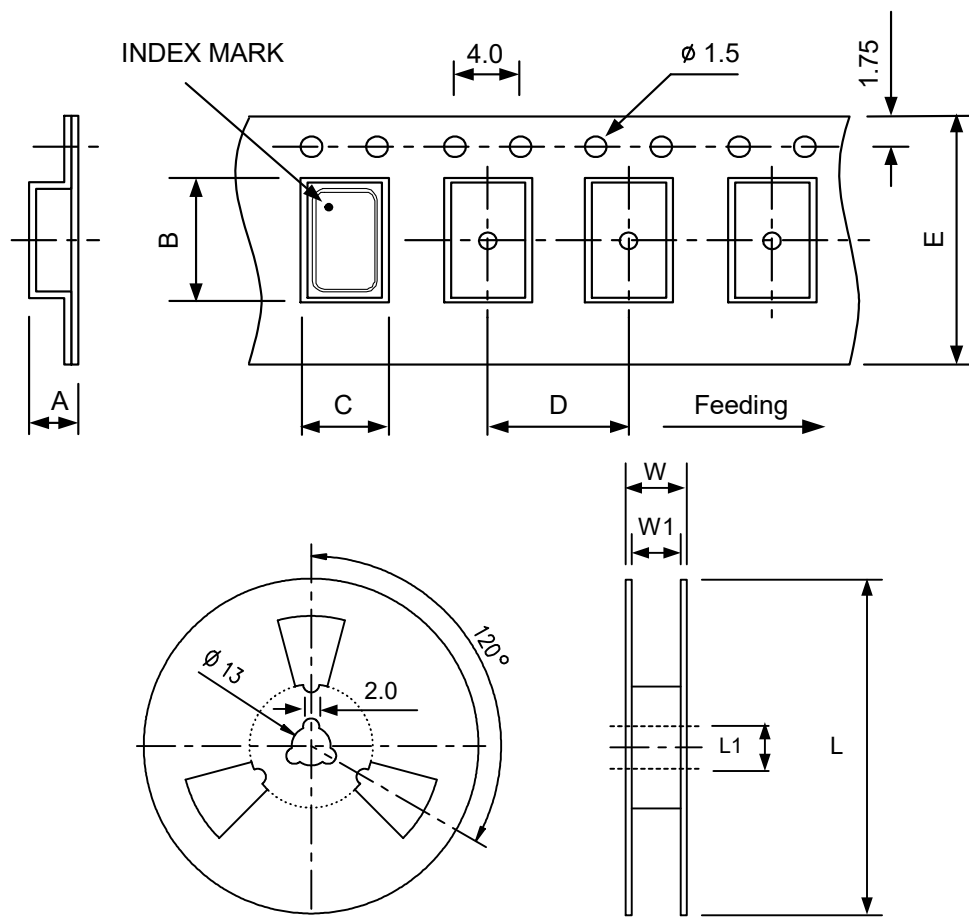




## PACKING (包装)

Shear strength between cover and carrier tape should be 30-100g.

Carrier tape should be folded over three times with no break at all.



DIMENSIONS		A	B	C	D	E	L	L1	W	W1
	7050		2.15	7.9	5.4	8	16	180	13	21.5
6035		1.5	6.4	3.9	8	12	180	13	15.4	13
5032		1.5	5.5	3.6	8	12	180	13	15.4	13
<b>3225</b>		<b>1.4</b>	<b>3.5</b>	<b>2.7</b>	<b>4</b>	<b>8</b>	<b>180</b>	<b>13</b>	<b>11.5</b>	<b>8</b>
2520		1.2	3.4	2.5	4	8	180	13	11.5	8

Unit : mm

Standard Reel Quantity is **3000 pcs** per reel.

## X-ON Electronics

Largest Supplier of Electrical and Electronic Components

*Click to view similar products for [Standard Clock Oscillators](#) category:*

*Click to view products by [Huiyuan crystal](#) manufacturer:*

Other Similar products are found below :

[601252](#) [F335-25](#) [F535L-33.333](#) [F535L-50](#) [NBXHBA019LN1TAG](#) [SiT1602BI-22-33E-50.000000E](#) [SIT8918AA-11-33S-50.000000G](#)  
[SM4420TEV-40.0M-T1K](#) [F335-24](#) [F335-40](#) [F535L-10](#) [F535L-12](#) [F535L-24](#) [F535L-27](#) [PE7744DW-100.0M](#) [ASF1-3.686MHZ-N-K-S](#) [ASV-](#)  
[4.000MHZ-LCS-T](#) [XO57CTECNA3M6864](#) [601251](#) [SiT8503AI-18-33E-0.200000X](#) [SIT9122AI2C233E300.000000X](#) [9120AC-2D2-](#)  
[33E212.500000](#) [9102AI-243N25E100.000000](#) [8208AC-82-18E-25.000000](#) [8008AI-72-XXE-24.545454E](#) [8004AC-13-33E-133.330000X](#) [AS-](#)  
[4.9152-16-SMD-TR](#) [ASFL1-48.000MHZ-LC-T](#) [632L3I004M000000](#) [SIT8920AM-31-33E-25.000000](#) [DSC1028DI2-019.2000](#) [9121AC-2C3-](#)  
[25E100.000000](#) [9102AI-233N33E100.000000X](#) [9102AI-233N25E200.000000](#) [9102AI-232H25S125.000000](#) [9102AI-133N25E200.000000](#) [9102AC-](#)  
[283N25E200.000000](#) [9001AC-33-33E1-30.000000](#) [8103AC-13-33E-12.000000X](#) [3921AI-2CF-33NZ125.000000](#) [5730-1SF](#) [XUN736000.032768I](#)  
[ASV-25.000MHZ-ECS-50-T](#) [EC3925ETTTS-100.000M TR](#) [SIT1602BC-83-33E-10.000000Y](#) [8003AI-12-33S-40.000000Y](#) [1602BI-13-33S-](#)  
[19.200000E](#) [8208AI-2F-18E-25.000000X](#) [8103AI-83-33E-33.000000X](#) [8208AI-8F-33E-66.666666X](#)