



GENERAL SPECIFICATIONS (电气特性)

1. Holder type: (型号)	SMD5032	
2. Normal Frequency: (标称频率)	50.000000MHz 32.768000KHz	
3. Supply Voltage : (工作电压)	3.3V±0.1V	
4. Wave Form : (输出波形)	Square Wave	
5. Load Capacitance(CL): (负载电容)	15PF	
6. Frequency Tolerance 25±3°C: (频率公差 25±3°C)	≤±20 PPM	
7. Frequency-Load Stability : (频率-负载稳定度)	≤±20 PPM	
8. Frequency-Vs Stability : (电源电压稳定度)	≤±20 PPM	
9. Vc Input Impedance: (电压输入阻抗)	≥500 KΩ	
10. Duty : (占控比)	45%~55%	
11. Out level: (输出电平)	Logic "1"	≥90% VDD
	Logic "0"	≤10% VDD
12. Operation Temperature Range: (工作温度范围)	-40°C to +85°C	
13. Storage Temperature: (存储温度)	-55°C to +125°C	
14. Start Time: (开始时间)	≤2mSec	
15. Aging: (老化率)	≤±3 PPM/Year	
16. Supply Current: (工作电流)	≤10mA	
17. Standby Current: (待机电流)	≤15 μA	
18. Pulling Range: (牵引范围)	≥±5.0PPm	

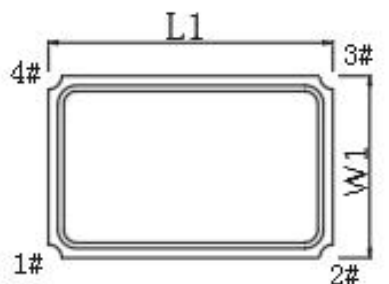
Remark (备注) :

晶振最佳储存条件: 温度: 25±5°C, 湿度: <70% 。

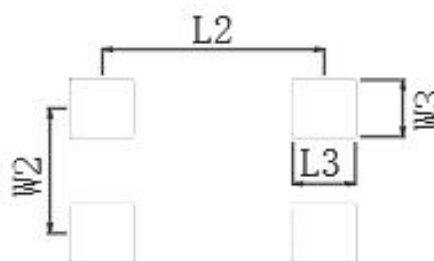
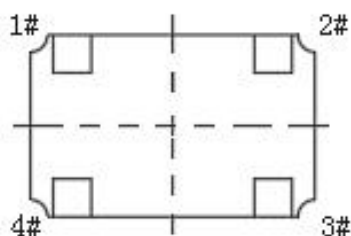
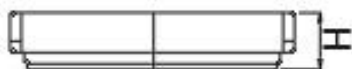
密封包装, 切勿挤压, 小心跌落。



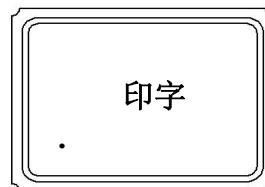
DIMENSIONS SPECIFICATIONS (外形尺寸)



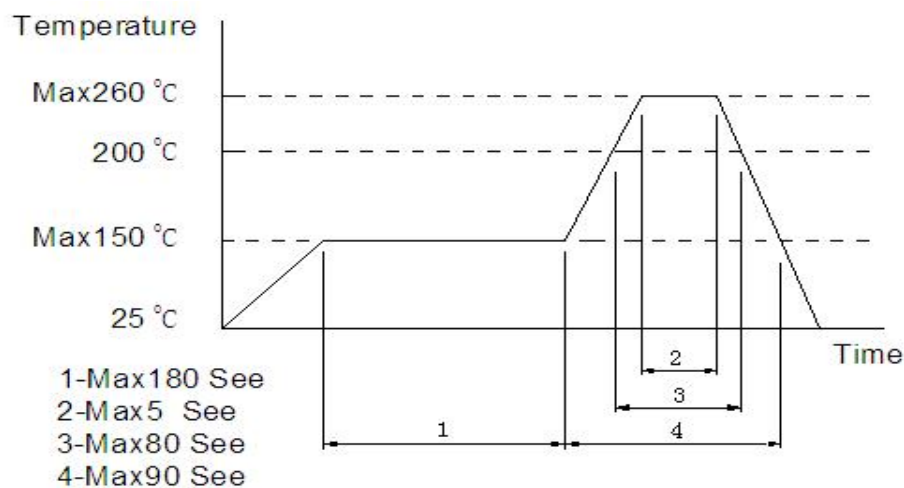
Pin	Function
1	Tri-state
2	Ground
3	Output
4	VDD



型号	外形尺寸(±0.15mm)						
	L1	L2	L3	W1	W2	W3	H
7050	7.0	5.0	2.1	5.0	4.2	2.1	1.8
5032	5.0	2.5	1.2	3.2	2.2	1.2	1.5
3225	3.2	1.8	0.8	2.5	1.6	0.8	1.1



SODLE REFLOW PROFILE (回流焊曲线)

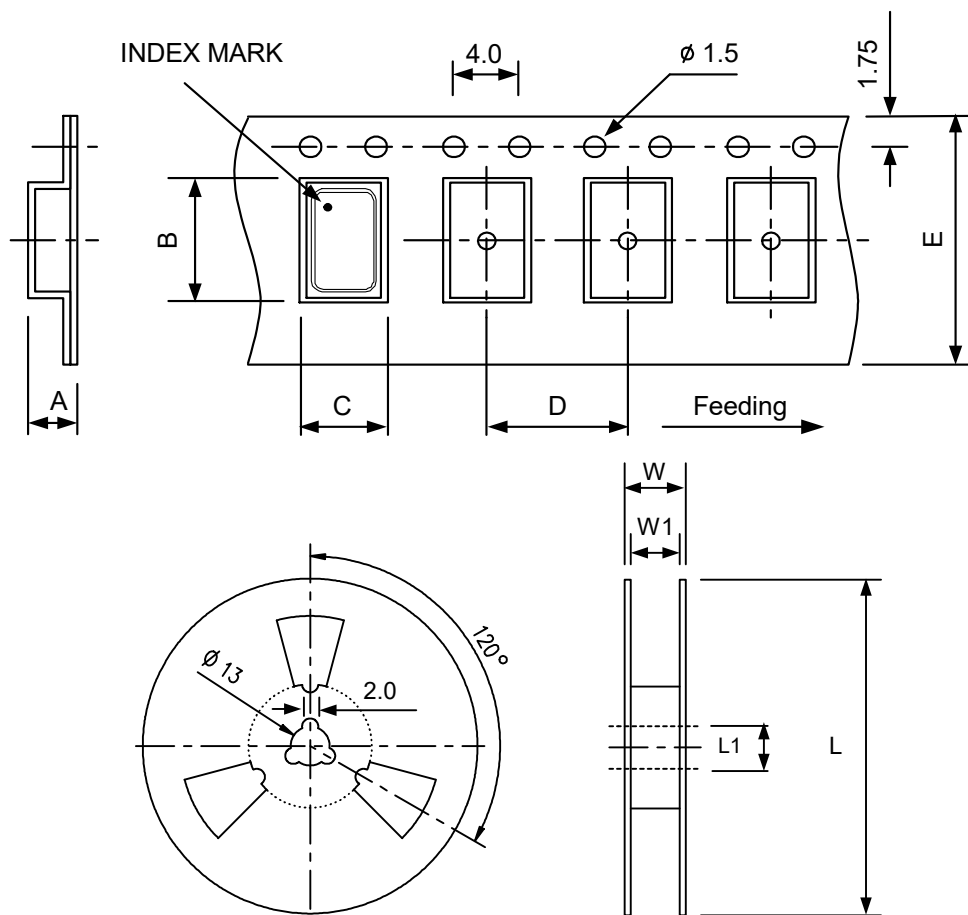




PACKING (包装)

Shear strength between cover and carrier tape should be 30-100g.

Carrier tape should be folded over three times with no break at all.



DIMENSIONS		A	B	C	D	E	L	L1	W	W1
	7050	2.15	7.9	5.4	8	16	180	13	21.5	17.5
	6035	1.5	6.4	3.9	8	12	180	13	15.4	13
	5032	1.5	5.5	3.6	8	12	180	13	15.4	13
	3225	1.4	3.5	2.7	4	8	180	13	11.5	8
	2520	1.2	3.4	2.5	4	8	180	13	11.5	8

Unit : mm

Standard Reel Quantity is **1000 pcs** per reel.

X-ON Electronics

Largest Supplier of Electrical and Electronic Components

Click to view similar products for [Standard Clock Oscillators](#) category:

Click to view products by [Huiyuan crystal](#) manufacturer:

Other Similar products are found below :

[601252](#) [F335-25](#) [F535L-33.333](#) [F535L-50](#) [NBXHBA019LN1TAG](#) [SiT1602BI-22-33E-50.000000E](#) [SIT8918AA-11-33S-50.000000G](#)
[SM4420TEV-40.0M-T1K](#) [F335-24](#) [F335-40](#) [F535L-10](#) [F535L-12](#) [F535L-24](#) [F535L-27](#) [PE7744DW-100.0M](#) [ASF1-3.686MHZ-N-K-S](#) [ASV-](#)
[4.000MHZ-LCS-T](#) [XO57CTECNA3M6864](#) [601251](#) [SiT8503AI-18-33E-0.200000X](#) [SIT9122AI2C233E300.000000X](#) [9120AC-2D2-](#)
[33E212.500000](#) [9102AI-243N25E100.000000](#) [8208AC-82-18E-25.000000](#) [8008AI-72-XXE-24.545454E](#) [8004AC-13-33E-133.330000X](#) [AS-](#)
[4.9152-16-SMD-TR](#) [ASFL1-48.000MHZ-LC-T](#) [632L3I004M000000](#) [SIT8920AM-31-33E-25.000000](#) [DSC1028DI2-019.2000](#) [9121AC-2C3-](#)
[25E100.000000](#) [9102AI-233N33E100.000000X](#) [9102AI-233N25E200.000000](#) [9102AI-232H25S125.000000](#) [9102AI-133N25E200.000000](#) [9102AC-](#)
[283N25E200.000000](#) [9001AC-33-33E1-30.000000](#) [8103AC-13-33E-12.000000X](#) [3921AI-2CF-33NZ125.000000](#) [5730-1SF](#) [XUN736000.032768I](#)
[ASV-25.000MHZ-ECS-50-T](#) [EC3925ETTTS-100.000M TR](#) [SIT1602BC-83-33E-10.000000Y](#) [8003AI-12-33S-40.000000Y](#) [1602BI-13-33S-](#)
[19.200000E](#) [8208AI-2F-18E-25.000000X](#) [8103AI-83-33E-33.000000X](#) [8208AI-8F-33E-66.666666X](#)