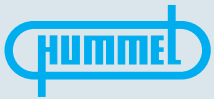


HSK-K-Ex-Active



Cable gland made of polyamide
for hazardous areas **according to the latest standards**





HSK-K-Ex-Active

Advantages at a glance:



- + Halogen-free
- + Protection IP 68 – 10 bar according to DIN EN 60529
- + Vibration-protected dome nut
- + Wide clamping range
- + Applicable up to +85°C (185°F)
- + Abrasion resistant marking
- + O-Ring as standard
- + Applicable in zone 1 and zone 20
- + No additional mechanical protection of the gland necessary

HSK-K-Ex-Active

Overlapping clamping splines

avoid tearing out the gland seal and ensure an extremely high integrated strain-relief

Form seal

for reliable sealing at protection class IP 68 up to 10 bar

HUMMEL acme screw thread

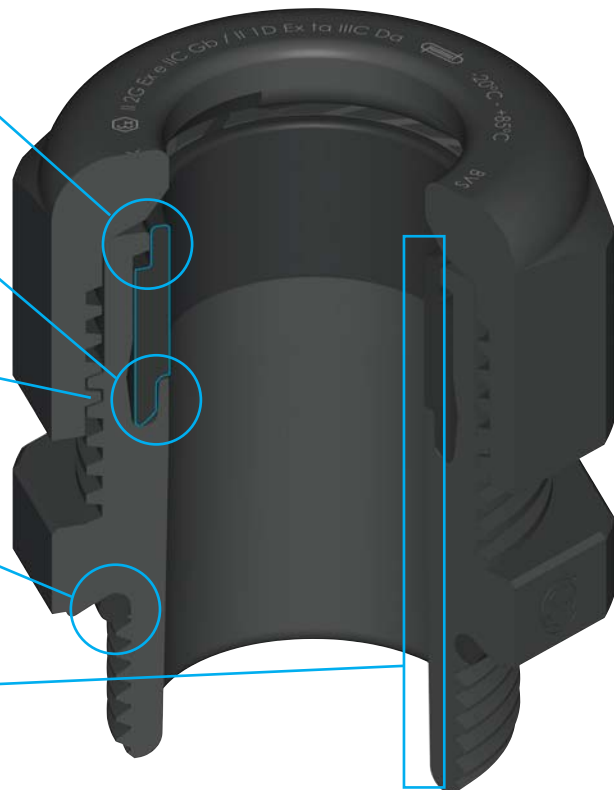
for dependable transmission of force between dome nut and gland body

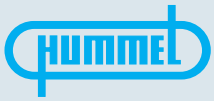
Molded O-Ring groove

results in a reliable tightening between gland body and installation

Smooth internal shape

for easy assembling and ideal protection of the cable sheath





HSK-K-Ex-Active

The HSK-K-Ex-Active has been developed to meet the stringent requirements of EN 60079-0:2012. The cable gland, made of special formulated fibreglass reinforced polyamide, combines all features of the established HSK-K-Ex series and the latest approvals according to ATEX and IECEx.

The HSK-K-Ex-Active has been designed for applications in electrical equipment, which require types of protection Ex e and Ex t according to the latest standards EN 60079-0, 60079-7 and 60079-31.

- Zones 1, 2, 20, 21, 22
- Sizes: M 12 – M 63,
NPT 3/8" – NPT 1 1/2"
- Temperature Range: -20°C – 85°C (-4°F – 185°F)
- EC-Type Examination Certificate:
BVS 14 ATEX E 025 X
- IECEx Certificate of Conformity:
IECEx BVS 14.0020X
- Marking:
II 2G Ex eb IIC Gb
II 1D Ex ta IIIC Da
- According to the latest EN Standards:
EN 60079-0:2012 IEC 60079-0:2011
EN 60079-7:2007 IEC 60079-7:2015
EN 60079-31:2014 IEC 60079-31:2013
EN 60529



Find assembly instructions and certificates at
www.hummel.com

HSK-K-Ex-Active

Metr., NPT



Material Fibreglass reinforced polyamide

Seal NBR

Protection IP 68 – 10 bar within the specified clamping range

Operating Temperature -20 °C – 85 °C (-4 °F – 185 °F)

Colors black or blue-black

O-Ring NBR

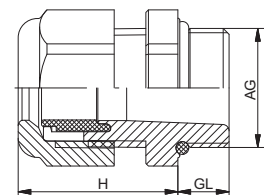
Note:
- FKM and VMQ O-Ring upon request

ATEX II 2G Ex eb IIC Gb
II 1D Ex ta IIIC Da

US Class I Div 2 Groups A, B, C, D
Class II Div 1 Groups E, F, G

CE

RoHS



AG	\varnothing mm	\varnothing mm	H mm	GL mm	Item Number black	Item Number blue-black	GL mm	Item Number elongated black	Item Number elongated blue-black
M 12 x 1,5	3 – 6,5	15	21	8	1.292.1201.50	1.292.1202.50	15	1.292.1201.30	1.292.1202.30
M 12 x 1,5	2 – 5	15	21	8	1.292.1201.51	1.292.1202.51	15	1.292.1201.31	1.292.1202.31
M 16 x 1,5	4 – 8	19	22	8	1.292.1601.50	1.292.1602.50	15	1.292.1601.30	1.292.1602.30
M 16 x 1,5	3 – 6	19	22	8	1.292.1601.51	1.292.1602.51	15	1.292.1601.31	1.292.1602.31
M 16 x 1,5	5 – 10	22	25	8	1.292.1611.50	1.292.1612.50	15	1.292.1611.30	1.292.1612.30
M 16 x 1,5	3 – 7	22	25	8	1.292.1611.51	1.292.1612.51	15	1.292.1611.31	1.292.1612.31
M 20 x 1,5	6 – 12	24	27	9	1.292.2001.50	1.292.2002.50	15	1.292.2001.30	1.292.2002.30
M 20 x 1,5	5 – 9	24	27	9	1.292.2001.51	1.292.2002.51	15	1.292.2001.31	1.292.2002.31
M 20 x 1,5	10 – 14	27	28	9	1.292.2016.50	1.292.2017.50	15	1.292.2016.30	1.292.2017.30
M 20 x 1,5	7 – 12	27	28	9	1.292.2016.51	1.292.2017.51	15	1.292.2016.31	1.292.2017.31
M 25 x 1,5	13 – 18	33	31	11	1.292.2501.50	1.292.2502.50	15	1.292.2501.30	1.292.2502.30
M 25 x 1,5	9 – 16	33	31	11	1.292.2501.51	1.292.2502.51	15	1.292.2501.31	1.292.2502.31
M 32 x 1,5	18 – 25	42	39	11	1.292.3201.50	1.292.3202.50	15	1.292.3201.30	1.292.3202.30
M 32 x 1,5	13 – 20	42	39	11	1.292.3201.51	1.292.3202.51	15	1.292.3201.31	1.292.3202.31
M 40 x 1,5	22 – 32	53	48	13	1.292.4001.50	1.292.4002.50	18	1.292.4001.30	1.292.4002.30
M 40 x 1,5	20 – 26	53	48	13	1.292.4001.51	1.292.4002.51	18	1.292.4001.31	1.292.4002.31
M 50 x 1,5	32 – 38	60	49	13	1.292.5001.50	1.292.5002.50	18	1.292.5001.30	1.292.5002.30
M 50 x 1,5	25 – 31	60	49	13	1.292.5001.51	1.292.5002.51	18	1.292.5001.31	1.292.5002.31
M 63 x 1,5	37 – 44	65 / 68	49	14	1.292.6301.50	1.292.6302.50	18	1.292.6301.30	1.292.6302.30
M 63 x 1,5	29 – 35	65 / 68	49	14	1.292.6301.51	1.292.6302.51	18	1.292.6301.31	1.292.6302.31
NPT 3/8"	4 – 8	19 / 22	22	15	1.292.3801.70	1.292.3802.70			
NPT 3/8"	3 – 6	19 / 22	22	15	1.292.3801.71	1.292.3802.71			
NPT 1/2"	6 – 12	24	27	13	1.292.1201.70	1.292.1202.70			
NPT 1/2"	5 – 9	24	27	13	1.292.1201.71	1.292.1202.71			
NPT 1/2" (16)	10 – 14	27	28	13	1.292.1216.70	1.292.1217.70			
NPT 1/2" (16)	7 – 12	27	28	13	1.292.1216.71	1.292.1217.71			
NPT 3/4"	13 – 18	33	31	14	1.292.3401.70	1.292.3402.70			
NPT 3/4"	9 – 16	33	31	14	1.292.3401.71	1.292.3402.71			
NPT 1"	18 – 25	42	39	19	1.292.1001.70	1.292.1002.70			
NPT 1"	13 – 20	42	39	19	1.292.1001.71	1.292.1002.71			
NPT 1 1/4"	18 – 25	42 / 46	39	16	1.292.5401.70	1.292.5402.70			
NPT 1 1/4"	13 – 20	42 / 46	39	16	1.292.5401.71	1.292.5402.71			
NPT 1 1/2"	22 – 32	53	48	20	1.292.6401.70	1.292.6402.70			
NPT 1 1/2"	20 – 26	53	48	20	1.292.6401.71	1.292.6402.71			

HSK-K-Multi-Ex-Active / HSK-K-FLAKA-Ex-Active

Metr., NPT



Material	Fibreglass reinforced polyamide
Seal	Elastomer
Protection	IP 68 – 10 bar *
Operating Temperature	-20 °C – 85 °C (-4 °F – 185 °F)
Colors	black or blue-black
O-Ring	NBR

ATEX **II 2G Ex eb IIC Gb**
IECEx **II 1D Ex ta IIIC Da**

SP **Class I Div 2 Groups A, B, C, D**
US **Class II Div 1 Groups E, F, G**

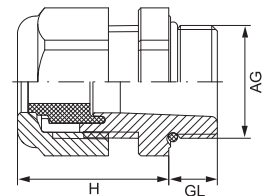
CE

RoHS

Note:
 - FKM and VMQ O-Ring upon request
 - The shown inserts are samples, more inserts upon request

***Installation Instructions multi hole inserts:**
 Cable diameter should not be less than 20% of hole diameter and the difference between cable diameter and hole should never exceed 1 mm (.04").

Installation Instructions flat cable inserts:
 The clamping range of the cable used may not deviate from the manufacturer-specified minimum values by more than 1 mm in length and 1 mm in width. The geometries of the cable and the insert hole must be compatible (semicircular or straight at the sides).



AG	GL mm	H mm	mm	Number of Holes x d	Item Number black	Item Number blue-black	Number of Holes x d	Item Number black	Item Number blue-black
HSK-K-Multi-Ex-Active									
M 16 x 1,5	8	22	19	4 x 1,4	1.581.1600.51	1.581.1600.52	2 x 3	1.581.1601.51	1.581.1601.52
M 20 x 1,5	9	27	24	6 x 3	1.581.2001.51	1.581.2001.52	2 x 5	1.581.2003.51	1.581.2003.52
M 25 x 1,5	11	31	33	4 x 6	1.581.2500.51	1.581.2500.52	3 x 7	1.581.2501.51	1.581.2501.52
M 32 x 1,5	11	39	42	6 x 6,5	1.581.3200.51	1.581.3200.52	4 x 9	1.581.3201.51	1.581.3201.52
M 40 x 1,5	13	48	53	7 x 9	1.581.4001.51	1.581.4001.52	2 x 15	1.581.4003.51	1.581.4003.52
M 50 x 1,5	13	49	60		1.581.5099.51	1.581.5099.52			
M 63 x 1,5	14	49	65 / 68	6 x 12	1.581.6301.51	1.581.6301.52	3 x 18	1.581.6302.51	1.581.6302.52
NPT 3/8"	15	22	19 / 22	4 x 1,4	1.581.3800.71	1.581.3800.72	2 x 3	1.581.3801.71	1.581.3801.72
NPT 1/2"	13	27	24	3 x 4	1.581.1202.71	1.581.1202.72	2 x 5	1.581.1203.71	1.581.1203.72
NPT 1/2" (16)	13	28	27	6 x 4	1.581.1220.71	1.581.1220.72	2 x 6	1.581.1221.71	1.581.1221.72
NPT 3/4"	14	31	33	4 x 6	1.581.3400.71	1.581.3400.72	3 x 7	1.581.3401.71	1.581.3401.72
NPT 1"	19	39	42	6 x 6,5	1.581.1000.71	1.581.1000.72	4 x 9	1.581.1001.71	1.581.1001.72
NPT 1 1/4"	16	39	42 / 46		1.581.5499.71	1.581.5499.72			
NPT 1 1/2"	20	48	53	5 x 9	1.581.6400.71	1.581.6400.72	7 x 9	1.581.6401.71	1.581.6401.72

AG	GL mm	H mm	mm	w x h mm	Item Number black	Item Number blue-black	w x h mm	Item Number black	Item Number blue-black
HSK-K-FLAKA-Ex-Active									
M 20 x 1,5	9	28	27	12 x 7	1.582.2017.51	1.582.2017.52	14 x 6	1.582.2018.51	1.582.2018.52
M 25 x 1,5	11	31	33	14 x 6	1.582.2500.51	1.582.2500.52	14 x 7	1.582.2501.51	1.582.2501.52
M 32 x 1,5	11	39	42	22 x 8	1.582.3200.51	1.582.3200.52			
M 40 x 1,5	13	48	53	28,5 x 10	1.582.4000.51	1.582.4000.52	29 x 5,5	1.582.4001.51	1.582.4001.52
M 40 x 1,5	13	48	53	30,5 x 12	1.582.4002.51	1.582.4002.52	31 x 7,5	1.582.4003.51	1.582.4003.52
M 50 x 1,5	13	49	60	33,5 x 11,5	1.582.5000.51	1.582.5000.52			
NPT 1/2" (16)	13	28	27	12 x 7	1.582.1217.71	1.582.1217.72	14 x 6	1.582.1218.71	1.582.1218.72
NPT 3/4"	14	31	33	14 x 6	1.582.3400.71	1.582.3400.72			
NPT 1"	19	39	42	22 x 8	1.582.1000.71	1.582.1000.72			
NPT 1 1/4"	16	39	42/46	22 x 8	1.582.5400.71	1.582.5400.72			
NPT 1 1/2"	20	48	53	28,5 x 10	1.582.6400.71	1.582.6400.72	29 x 5,5	1.582.6401.71	1.582.6401.72
NPT 1 1/2"	20	48	53	30,5 x 12	1.582.6402.71	1.582.6402.72	31 x 7,5	1.582.6403.71	1.582.6403.72

Product range electric components

CABLE GLANDS

Polyamide-, Brass- and Stainless steel,
EMC-connections, Ex e-, Ex d-, Ex ta-Cable Glands



CIRCULAR CONNECTORS

M 8 to M 40, INOX, TWILOCK, Industrial Ethernet,
Power, Signal, Hybrid-Connector, Moulded Cordsets



INDUSTRIAL ENCLOSURES

Enclosures made of PC, Polyester, Aluminium and Stainless Steel,
Customized Systems, Enclosure-Configurator



CABLE PROTECTION SYSTEMS

Corrugated Conduit Systems, Conduit Cable Glands, Angled Systems,
combined Cable Glands, Accessories



CABLE ASSEMBLY

Moulded Signal- and Power Circular Connectors,
Servo Cables, Cable Sets



www.hummel.com

HUMMEL AG

Lise-Meitner-Straße 2
79211 Denzlingen
Germany
www.hummel.com

Tel. +49 (0)7666/9 11 10-0
Fax +49 (0)7666/9 11 10-20
E-Mail info@hummel.com



X-ON Electronics

Largest Supplier of Electrical and Electronic Components

Click to view similar products for [Cable Glands, Strain Reliefs & Cord Grips](#) category:

Click to view products by [Hummel](#) manufacturer:

Other Similar products are found below :

[1300980012](#) [DBZM-6828](#) [1498](#) [15190-103 R2](#) [1.587.3400.71](#) [300623](#) [07402002](#) [CD21NS-01](#) [VC-M-KV-PG16 1X3/1X8](#) [35935](#) [35882](#)
[M4340GAE](#) [4597](#) [NG-9516 Gasket](#) [52006157](#) [52006176](#) [BM4963L](#) [53629556](#) [53629570](#) [53629675](#) [52025230](#) [52024853](#) [52103160](#)
[52115810](#) [53017640](#) [53019051](#) [53019071](#) [53112270](#) [53112330](#) [53112879](#) [53112929](#) [53111470](#) [53015270](#) [53015090](#) [53018090](#) [PG-29](#)
[36680](#) [36681](#) [36550](#) [35226](#) [35228](#) [36310](#) [36302](#) [37102-90](#) [35880](#) [1300990004](#) [Z5.507.2321.0](#) [CGB295-SG](#) [5320816](#) [5505](#)