

PROBLEM SOLVERS FOR HEATING AND DRINKING WATER SYSTEMS



PROBLEM SOLVERS // FITTINGS // DESIGANTECHNIK

Germany



Head of Sales DACH, NL
Tel. +49 (0) 1 71 / 7 41 37 46

Head of Sales international
Tel. +49 (0) 1 72 / 7 37 25 35

Front desk
Tel. +49 (0) 76 66 / 9 11 10-61
info@hummel.com

Problem solvers

▶ 11

- Steel pipe adapters ▶ 12
- Diverter ▶ 14
- Restoration / Renovation ▶ 17



Fittings

▶ 23

- Two-pipe connections ▶ 24
- One-pipe connections ▶ 27
- Single connections ▶ 28
- Thermostatic valves ▶ 30
- Lockshields ▶ 34
- Thermostatic heads ▶ 36
- BasisPLUS ▶ 38
- BasisPLUS accessories ▶ 42
- Compression fittings ▶ 44
- Connectors / Nipples ▶ 46
- Venting / Draining valves ▶ 50
- Plugs / Reductions ▶ 58



Designtechnik

▶ 63

- Designtechnik sets ▶ 65
- Designtechnik accessories ▶ 68



Accessories, spare parts, tools

▶ 71

- Air vent keys ▶ 72
- Ventilation / Draining hose ▶ 73
- Collars ▶ 73
- Cone inserts ▶ 75
- Connection nipples ▶ 76
- Assembly ▶ 77
- Sealing ▶ 78
- Hose nozzle ▶ 78
- Sealing caps ▶ 79
- Spare parts ▶ 80



ASSORTMENT CASE

Always the right compression fitting

- // You get called out to fix leaks in the evening, at the weekend or on a holiday?
 - // Unaware of type and dimension of the pipe
 - // You don't carry the correct compression fittings or tools with you?
 - // You can't reach your wholesaler to order?
- The HUMMEL emergency kit to fix all installation leaks is the answer.



Item No. 2 810 0320 12



MKV-K (compression fitting for plastic / multilayer metal pipes) UBA compliant

Pipe diameter	Wall thickness	Support sleeve diameter	Union nut type	Case content	Item No.
12 x 2 mm	2 mm	8 mm	1 (small)	1 Set	2 862 1202 01
14 x 2 mm	2 mm	10 mm	1 (small)	1 Set	2 862 1402 01
16 x 2 mm	2 mm	12 mm	2 (medium)	1 Set	2 862 1602 01
16 x 2,25 mm	2,25 mm	11,5 mm	2 (medium)	1 Set	2 862 1622 01
17 x 2 mm	2 mm	13 mm	2 (medium)	1 Set	2 862 1702 01
17 x 2,5 mm	2,5 mm	12 mm	2 (medium)	1 Set	2 862 1725 01
18 x 2 mm	2 mm	14 mm	3 (large)	1 Set	2 862 1802 01
20 x 2 mm	2 mm	16 mm	3 (large)	1 Set	2 862 2002 01
20 x 2,5 mm	2,5 mm	15 mm	3 (large)	1 Set	2 862 2025 01
20 x 2,9 mm	2,9 mm	14,2 mm	3 (large)	1 Set	2 862 2029 01



MKV-M (compression fitting, for copper / precision steel / stainless steel pipes)

Pipe diameter	Union nut type	Case content	Item No.
10 to 12 mm	1 (small)	1 Set	2 855 0001 01
13 to 15 mm	2 (medium)	1 Set	2 855 0002 01
16 to 18 mm	3 (large)	1 Set	2 855 0003 01

Product	Application	Type	Image	Case content	Item No.
Coupling nipple	Coupling nipple for MKV-K and MKV-M compression fittings	G 3/4 x G 3/4 euro cone		2 pieces	2 253 3434 01
Connection nipple	Radiator, heating manifold, connection from steel pipe to G 3/4 euro cone	with o-ring sealing G 1/2 x euro cone G 3/4		2 pieces	2 554 1234 01
Reduction	Terminal block, heating manifold, connection from steel pipe to G 3/4 euro cone	Internal thread G 1/2 with sealing x euro cone G 3/4		2 pieces	2 254 1244 01
Compression fitting	Connection from 22 mm copper or soft steel pipe to G 3/4 euro cone	22 mm (Cu) x euro cone G 3/4 connection thread		2 pieces	2 266 2234 00
Cap	for temporary sealing	G 3/4		2 pieces	2 947 0001 01
Flat sealing	for temporary sealing	G 3/4		2 pieces	2 947 0002 11

This case saves money and allows to work more efficiently



Item No. 2 810 0286 12

- // Perfect for radiator changing
- // All aids in one service case
- // Compression fittings connect pipes reliable and permanent
- // Diverters provide the correct flow direction when flow and return flow is reversed
- // Easy assembling also within difficult environmental conditions

Problem solvers

Fittings

Designtechnik

Accessories, spare parts, tools

Renovation case content

Product	Type	Case content	Item No.
Mounting bridge	G 3/4 with air bleeder valve, 50 mm distance from center to center, nickel-plated brass	1 piece	2 257 0001 01
Two-pipe diverter	straight type G 3/4, shut-off capability, nickel-plated brass	2 pieces	2 257 0004 01
Two-pipe diverter	corner type G 3/4, shut-off capability, nickel-plated brass	1 piece	2 257 0010 01
Excenter for connection fitting	G 3/4 x G 3/4, nickel-plated brass	4 pieces	2 556 3434 01
Extension piece	G 3/4 (internal thread) x G 3/4 (external thread) with eurocone, self sealing, nickel-plated brass	4 pieces	2 555 3434 01
Telescopic connection G 3/4	length when extended 16 mm for connections horizontal/vertical, nickel-plated brass	2 pieces	2 559 3434 01
FE-valve G 1/2	with hose nozzle, protective cap, strap and lock nut, nickel-plated brass, with PTFE sealing	2 pieces	2 948 1200 01
MKV-M G 3/4	nickel-plated brass, compression fitting for copper pipes, precision steel and stainless steel pipes	2 sets	2 855 0002 01
Air vent G 1/2	turnable, key control, o-ring sealing, nickel-plated brass, with manufacturer's mark	1 piece	2 537 1200 01

Prepared for all eventualities



Item No. 2 810 0320 15

- // Everything around the radiator in one service case
- // The most important problem solvers to connect radiators
- // Flexible connections to bridge gaps
- // Compression fittings connect pipes reliable and permanent
- // Reductions, extensions, eccentrics and telescopic connections always offer a solution

Connection case content

Product	Type	Case content	Item No.
Straight type terminal block	G 3/4 x G 3/4, nickel-plated brass	1 piece	2 249 3436 01
Corner type terminal block	G 3/4 x G 3/4, nickel-plated brass	1 piece	2 249 8436 01
Eccentric for connection fitting	G 3/4 x G 3/4, nickel-plated brass	2 pieces	2 556 3434 01
Extension piece	G 3/4 (internal thread) x G 3/4 (external thread) euro cone, self sealing, nickel-plated brass	2 pieces	2 555 3434 01
Telescopic connection G 3/4	length when extended 16 mm for connections horizontal/vertical, nickel-plated brass	2 pieces	2 559 3434 01
SpeedFIX	compression fitting 15 mm, nickel-plated brass	1 set	2 855 0015 01
Connection nipple	G 1/2 x G 3/4, flat sealing, brass blank	2 pieces	2 558 1234 00
Flexible radiator connection	extendable 93 mm – 143 mm, nickel-plated brass	2 pieces	2 820 1234 01
Reduction G 3/4 x G 1/2	EPDM sealing G 1/2, nickel-plated brass	2 pieces	2 549 3412 01
Reduction G 1/2 x G 3/8	EPDM sealing, nickel-plated brass	2 pieces	2 549 1238 01
Reduction G 1/2 x G 3/4 euro cone	nickel-plated brass	2 pieces	2 254 1244 01
Sealing plug G 1/2	nickel-plated brass	2 pieces	2 506 1200 01
Air vent G 1/2	nickel-plated brass	1 piece	2 537 1200 01
Air bleed key	square SW 5	2 pieces	2 400 0500 05
Single collar	15 mm white	2 pieces	2 613 5000 90
Cone inserts	made of plastic	2 sets	2 855 3401 00
Thermostatic head, white	connection thread M 30 x 1,5 mm	1 piece	2 907 0001 90

Fast and clean assembly



Item No. 2 810 0320 20

- // Ideal for renovation and rehabilitation of heating systems
- // Safe installation, also within a difficult work environment
- // Suitable for all common steel pipes installed in the building
- // No welding and reaming necessary
- // High temperature and pressure resistance
- // Flush-mounted usage according to DIN 18380

Steel pipe adapter case content

Type	Case content	Item No.
with internal thread, 3/8" x G 1/2, nickel-plated brass	2 pieces	2 356 3812 01
with internal thread, 1/2" x G 1/2, nickel-plated brass	2 pieces	2 356 1212 01
with external thread, 3/8" x R 1/2 external thread, nickel-plated brass	2 pieces	2 355 3812 01
with external thread, 1/2" x R 1/2 external thread, nickel-plated brass	2 pieces	2 355 1212 01
with external thread, 3/4" x R 3/4 external thread, nickel-plated brass	2 pieces	2 355 3434 01
with external thread, 1" x R 1 external thread, nickel-plated brass	2 pieces	2 355 1010 01
with euro cone, 3/8" x G 3/4 internal thread, nickel-plated brass	2 pieces	2 353 3834 01
with euro cone, 1/2" x G 3/4 internal thread, nickel-plated brass	2 pieces	2 353 1234 01
with euro cone, 3/8" x G 3/4 external thread, nickel-plated brass	2 pieces	2 354 3834 01
with euro cone, 1/2" x G 3/4 external thread, nickel-plated brass	2 pieces	2 354 1234 01
with euro cone, 3/4" x G 3/4 external thread, nickel-plated brass	2 pieces	2 354 3434 01



Steel pipe adapter for heating and drinking water

The steel pipe adapter from HUMMEL is an ideal problem solver for the restructuring of heating systems. Therefore an assembly of new radiators to existing connections is possible without a huge effort and doesn't leave marks on the wall and on the floor. Welding and reaming are a thing of the past. Especially in inhabited rooms and cramped work environments the installers appreciate HUMMEL's steel pipe adapter.

- // Fast assembly
- // High holding forces
- // Wide temperature range
- // High pressure resistance
- // Fits all common steel pipes
- // Flush-mounted use according to DIN 18380

Steel pipe adapter for heating systems



Suitable pipe dimensions (DIN EN 10255M)

Ø pipe	nominal diameter	max.	min.	insertion depth
3/8	17,2 mm	17,5 mm	16,7 mm	20 mm
1/2	21,3 mm	21,8 mm	21,0 mm	23 mm
3/4	26,9 mm	27,3 mm	26,5 mm	26 mm
1	33,7 mm	34,2 mm	33,3 mm	30 mm
1 ¼	42,4 mm	42,9 mm	42,0 mm	37 mm
1 ½	48,3 mm	48,8 mm	47,9 mm	48 mm

Technical data

Operating temperature (heating):	up to 120 °C
Operating pressure:	10 bar

Material data

Body (heating):	nickel-plated brass
Thrust ring:	brass blank
Moulded seal:	EPDM
Retaining claw:	stainless steel

Steel pipe adapter for drinking water systems



Technical data

Operating temperature (drinking water):	up to 95 °C
Operating temperature (heating):	up to 120 °C
Operating pressure:	10 bar
DVGW Reg. No.:	DW-8511C40182

Material data

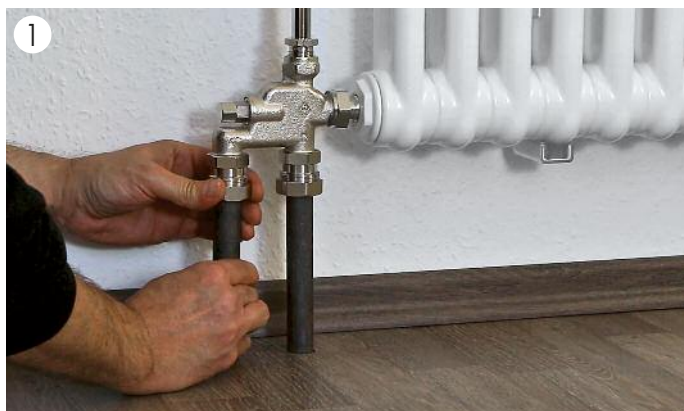
Body (drinking water):	brass blank
Thrust ring:	brass blank
Moulded seal:	EPDM
Retaining claw:	stainless steel



Solution for problems during the renovation

Convincing technical data, as well as an easy installation makes the steel pipe adapter an important problem solver for the installer. He can rely on a safe and fast installation, also in challenging work environments.

Easy, fast and clean: That's how the radiator installation works!



Plug in

- // Put steel pipe adapter on a clean pipe end
- // No special pretreatment necessary
- // For hubs and axial connections



Tighten

- // No welding necessary
- // Just tighten
- // High holding- and pull-out forces
- // Clean assembly, ideal for work in living areas



Ready

- // No soiling of inhabited rooms
- // Fits optically to the connection fitting
- // The perfect solution!

Assembly videos

Compression fitting *SpeedFIX*

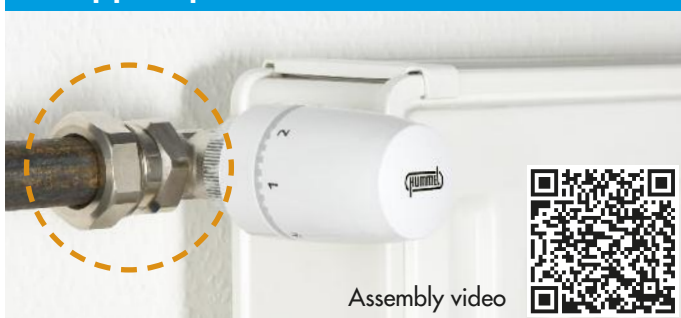


Assembly video

With our *SpeedFIX* pipes and fittings can be connected safe with three work steps: **put on, screw in, tighten.**

- // For copper, precision steel and stainless steel pipes
- // Nickel-plated brass, EPDM sealing element
- // Euro cone compatible

Steel pipe adapter



Assembly video

HUMMEL's steel pipe adapter is perfect to assemble new radiators to existing connections.

- // High holding forces
- // High pressure resistance
- // Fits all common steel pipes

Assortment case



Assembly video

The HUMMEL assortment case provides compression fittings for all common types of pipes to the installers and prepares them for all eventualities.

- // MKV-K for plastic and multilayer metal pipes
- // MKV-M for copper, precision steel and stainless steel pipes
- // All necessary accessories included

Diverter



Assembly video

Diverter provide the correct flow direction at radiators with interchanged flow and return flow.

- // Straight- or corner type
- // Lateral bypass setting
- // Euro cone compatible

Flexible radiator connection

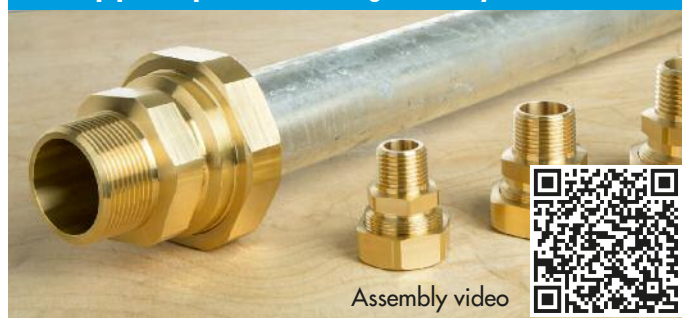


Assembly video

This popular problem solver is used when the pipe distances differ from the new radiator.

- // For installation areas from 65 to 143 mm
- // Corrugated tube made of stainless steel (1.4404)
- // Big cross section, high flow

Steel pipe adapter for drinking water systems



Assembly video

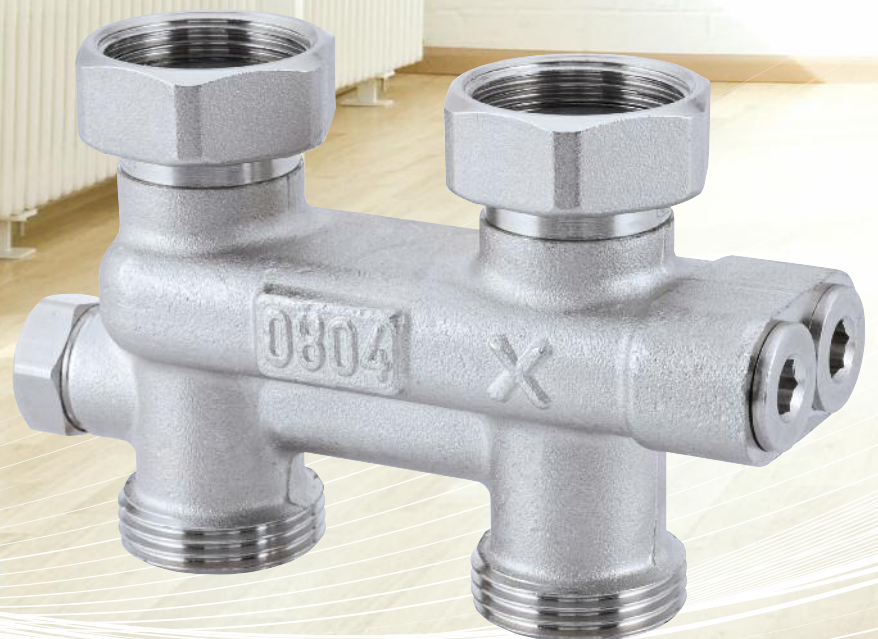
The steel pipe adapter for drinking water systems is DVGW certified and meets all hygienic and mechanical requirements for an uncritical use in drinking water systems.

- // Fast and safe solution for drinking water systems
- // Available in five sizes
- // High temperature and pressure resistance

PROBLEM SOLVERS

Steel pipe adapters
Diverters
Restoration / Renovation

▶ 12
▶ 14
▶ 17

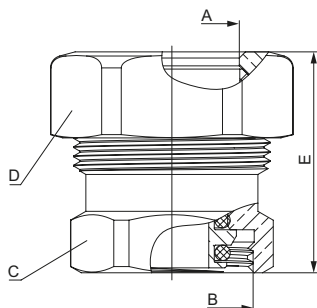


Steel pipe adapters

Steel pipe adapter with internal thread and euro cone



- // For connection fittings with euro cone (DIN EN 16313)
- // Fast, easy and safe assembly
- // Extremely high holding forces
- // High pressure and temperature resistance
- // For steel pipes (DIN EN 10255 M/H, DIN EN 10220-1)
- // For smoke tubes (DIN EN 10216-1, DIN EN 10217-1)
- // Flush-mounted usage according to DIN 18380



Version	A	B	C	D	E	Item No.
Pipe 3/8	G 3/4	SW 30	SW 30	34		2 353 3834 01
Pipe 1/2	G 3/4	SW 30	SW 36	36		2 353 1234 01

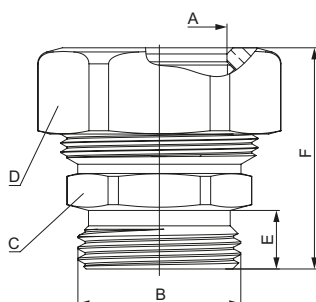
Technical data
 Operating temperature: up to 120 °C
 Operating pressure: 10 bar

Material data
 Body: nickel-plated brass
 Thrust ring: brass blank
 Moulded seal: EPDM
 Retaining claw: stainless steel

Steel pipe adapter with external thread and euro cone



- // For connection fittings with euro cone (DIN EN 16313)
- // Fast, easy and safe assembly
- // Extremely high holding forces
- // High pressure and temperature resistance
- // For steel pipes (DIN EN 10255 M/H, DIN EN 10220-1)
- // For smoke tubes (DIN EN 10216-1, DIN EN 10217-1)
- // Flush-mounted usage according to DIN 18380



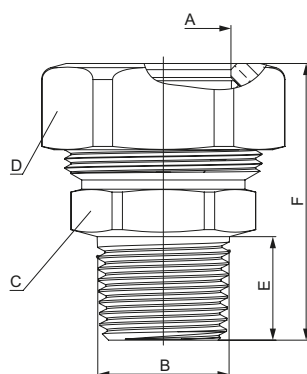
Version	A	B	C	D	E	F	Item No.
Pipe 3/8	G 3/4	SW 27	SW 30	9,5	34		2 354 3834 01
Pipe 1/2	G 3/4	SW 27	SW 36	9,5	36		2 354 1234 01
Pipe 3/4	G 3/4	SW 34	SW 45	9,5	41		2 354 3434 01

Technical data
 Operating temperature: up to 120 °C
 Operating pressure: 10 bar

Material data
 Body: nickel-plated brass
 Thrust ring: brass blank
 Moulded seal: EPDM
 Retaining claw: stainless steel

Steel pipe adapters

Steel pipe adapter with external thread



- // For connection fittings with internal thread
- // Fast, easy and safe assembly
- // Extremely high holding forces
- // High pressure and temperature resistance
- // For steel pipes (DIN EN 10255 M/H, DIN EN 10220-1)
- // For smoke tubes (DIN EN 10216-1, DIN EN 10217-1)
- // Flush-mounted usage according to DIN 18380

Version						
A	B	C	D	E	F	Item No.
Pipe 3/8	R 1/2	SW 24	SW 30	16,8	42	2 355 3812 01
Pipe 1/2	R 1/2	SW 27	SW 36	16,8	45	2 355 1212 01
Pipe 3/4	R 3/4	SW 34	SW 45	19	50	2 355 3434 01
Pipe 1	R 1	SW 41	SW 55	22	56	2 355 1010 01
Pipe 1 1/4	R 1 1/4	SW 50	SW 65	25	69	2 355 5454 01
Pipe 1 1/2	R 1 1/2	SW 60	SW 80	25	80	2 355 6464 01

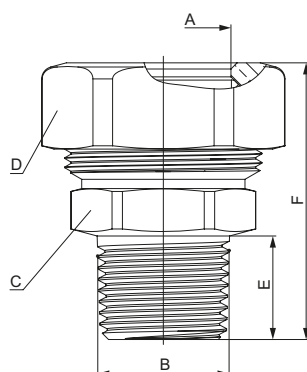
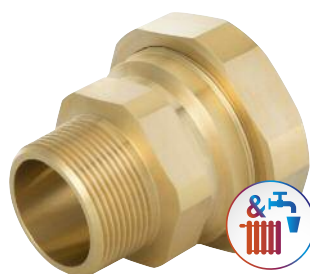
Technical data

Operating temperature:	up to 120 °C
Operating pressure:	10 bar

Material data

Body:	nickel-plated brass
Thrust ring:	brass blank
Moulded seal:	EPDM
Retaining claw:	stainless steel

Steel pipe adapter for drinking water systems with external thread



- // For heating and drinking water systems
- // DVGW certificate for steel pipe adapters made of brass in connection with steel pipes for cold water
- // For connection fittings with internal thread
- // For steel pipes (DIN EN 10255 M/H, DIN EN 10220-1, DIN EN 10240)
- // Flush-mounted usage according to DIN 18380
- // Extremely high holding forces



Version						
A	B	C	D	E	F	Item No.
Pipe 1/2	R 1/2	SW 27	SW 36	16,8	45	2 755 1212 00
Pipe 3/4	R 3/4	SW 34	SW 45	19	50	2 755 3434 00
Pipe 1	R 1	SW 41	SW 55	22	56	2 755 1010 00
Pipe 1 1/4	R 1 1/4	SW 50	SW 65	25	69	2 755 5454 00
Pipe 1 1/2	R 1 1/2	SW 60	SW 80	25	80	2 755 6464 00

Technical data

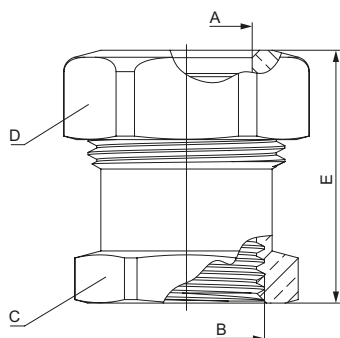
Operating temperature (drinking water):	up to 95 °C
Operating temperature (heating):	up to 120 °C
Operating pressure:	10 bar
DVGW Reg. No.:	DW-8511C40182

Material data

Body:	brass blank
Thrust ring:	brass blank
Moulded seal:	EPDM
Retaining claw:	stainless steel

Steel pipe adapters / diverters

Steel pipe adapter with internal thread



- // For connection fittings with external thread
- // Fast, easy and safe assembly
- // Extremely high holding forces
- // High pressure and temperature resistance
- // For steel pipes (DIN EN 10255 M/H, DIN EN 10220-1)
- // For smoke tubes (DIN EN 10216-1, DIN EN 10217-1)
- // Flush-mounted usage according to DIN 18380

Version	A	B	C	D	E	Item No.
Pipe 3/8	G 1/2	SW 27	SW 30	34		2 356 3812 01
Pipe 1/2	G 1/2	SW 27	SW 36	36		2 356 1212 01

Technical data

Operating temperature:	up to 120 °C
Operating pressure:	10 bar

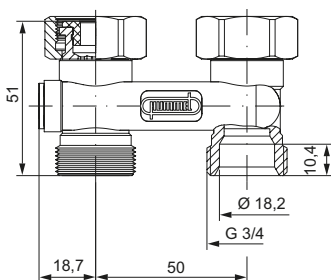
Material data

Body:	nickel-plated brass
Thrust ring:	brass blank
Moulded seal:	EPDM
Retaining claw:	stainless steel

Flat-sealing straight-type diverter without shut-off capability



- // For interchanged flow and return pipes
- // Union nut G 3/4
- // 50 mm distance from center to center
- // Nickel-plated brass
- // Euro cone compatible



Version	Item No.
with 2 cone inserts	2 257 0002 01
with 2 nipples G 1/2 x G 3/4	2 257 0003 01

Technical data

Operating temperature:	up to 120 °C
Operating pressure:	10 bar

Material data

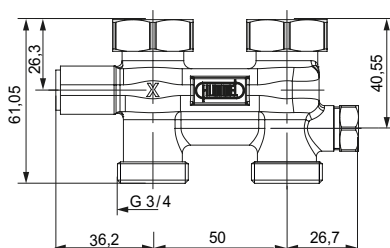
Body / union nut:	nickel-plated brass
Moulded seal:	EPDM / Teflon
Connection nipple:	brass blank
Cone insert:	PA

Diverters

Flat-sealing straight-type diverter with shut-off capability for one- and two-pipe systems



- // For interchanged flow and return pipes
- // With lateral bypass adjustment
- // With lateral spindle shut-off
- // Union nut G 3/4
- // 50 mm distance from center to center
- // Nickel-plated brass
- // Euro cone compatible



Version	Item No.
with 2 cone inserts	2 257 0023 01
with 2 nipples G 1/2 x G 3/4	2 257 0024 01

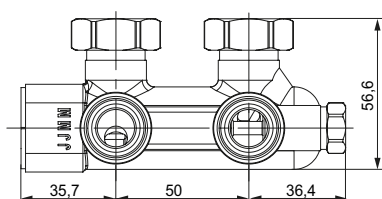
Technical data	
Operating temperature:	up to 120 °C
Operating pressure:	10 bar

Material data	
Body / union nut:	nickel-plated brass
Moulded seal:	EPDM / Teflon
Connection nipple:	brass blank
Cone insert:	PA

Flat-sealing corner-type diverter with shut-off capability for one- and two-pipe systems



- // For interchanged flow and return pipes
- // With lateral bypass adjustment
- // With lateral spindle shut-off
- // Union nut G 3/4
- // 50 mm distance from center to center
- // Nickel-plated brass
- // Euro cone compatible



Version	Item No.
with 2 cone inserts	2 257 0026 01
with 2 nipples G 1/2 x G 3/4	2 257 0027 01

Technical data	
Operating temperature:	up to 120 °C
Operating pressure:	10 bar

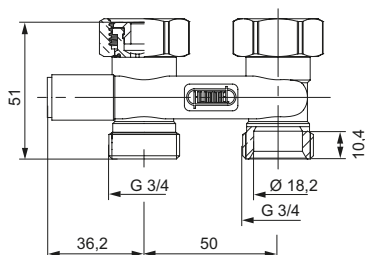
Material data	
Body / union nut:	nickel-plated brass
Moulded seal:	EPDM / Teflon
Connection nipple:	brass blank
Cone insert:	PA

Diverters

Flat-sealing straight-type diverter with shut-off capability



- // For interchanged flow and return pipes
- // With lateral spindle shut-off
- // Union nut G 3/4
- // 50 mm distance from center to center
- // Nickel-plated brass
- // Euro cone compatible



Version	Item No.
with 2 cone inserts	2 257 0004 01
with 2 nipples G 1/2 x G 3/4	2 257 0005 01

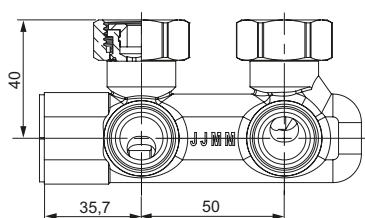
Technical data	
Operating temperature:	up to 120 °C
Operating pressure:	10 bar

Material data	
Body / union nut:	nickel-plated brass
Moulded seal:	EPDM / Teflon
Connection nipple:	brass blank
Cone insert:	PA

Flat-sealing corner-type diverter with shut-off capability



- // For interchanged flow and return pipes
- // With lateral spindle shut-off
- // Union nut G 3/4
- // 50 mm distance from center to center
- // Nickel-plated brass
- // Euro cone compatible



Version	Item No.
with 2 cone inserts	2 257 0010 01
with 2 nipples G 1/2 x G 3/4	2 257 0011 01

Technical data	
Operating temperature:	up to 120 °C
Operating pressure:	10 bar

Material data	
Body / union nut:	nickel-plated brass
Moulded seal:	EPDM / Teflon
Connection nipple:	brass blank
Cone insert:	PA

Restoration / Renovation

Cam for connection fittings



- // For the adjustment of axial pipe distances
- // Offset 7.5 mm
- // Nickel-plated brass
- // Euro cone compatible
- // Center-to-center distance variable between 35 and 65 mm
- // Conically sealing

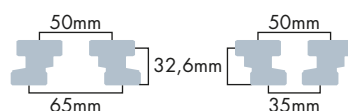
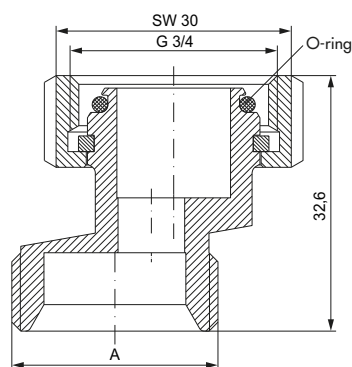
Version	A	Item No.
G 3/4	G 3/4	2 556 3434 01
G 3/4	G 1/2	2 556 3412 01
G 3/4	M 22 x 1,5	2 556 3422 01

Technical data

Operating temperature: up to 120 °C
 Operating pressure: 10 bar

Material data

Body / union nut: nickel-plated brass
 Moulded seal: EPDM



Cone adapter



- // For connection of two components
- // Nickel-plated brass
- // Euro cone compatible

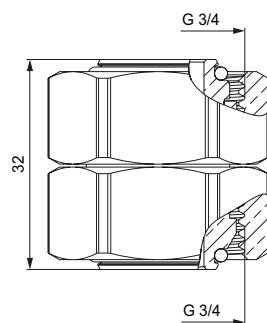
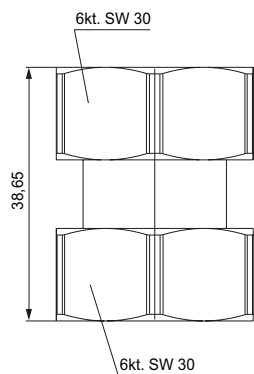
Version	Item No.
G 3/4 x G 3/4	2 155 3434 01

Technical data

Operating temperature: up to 120 °C
 Operating pressure: 10 bar

Material data

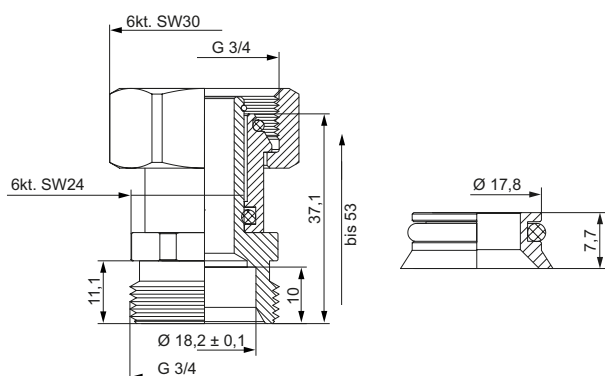
Body / union nut: nickel-plated brass
 Moulded seal: EPDM



Telescopic extension



- // Length when extended 16 mm
- // Nickel-plated brass
- // Euro cone compatible



Version	Item No.
G 3/4 x G 3/4	2 559 3434 01
with cone insert	2 559 3436 01
with nipple G 1/2 x G 3/4	2 559 3435 01
with nipple G 1/2 x G 3/4 and with cone insert	2 859 3435 01

Technical data

Operating temperature: up to 120 °C
 Operating pressure: 10 bar

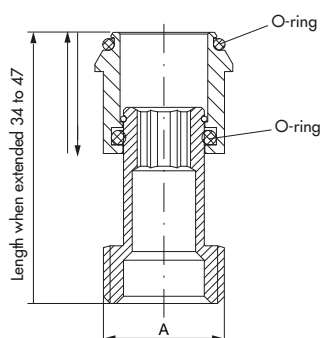
Material data

Body: nickel-plated brass
 Moulded seal: EPDM
 Connection nipple: brass blank
 Cone insert: PA

Telescopic connection



- // To adjust distances between valve and radiator
- // O-ring sealing
- // Length when extended 13 mm
- // Nickel-plated brass



Version	Item No.
G 3/8	2 559 3800 01
G 1/2	2 559 1200 01
G 3/4	2 559 3400 01

Technical data

Operating temperature: up to 120 °C
 Operating pressure: 10 bar

Materialdaten

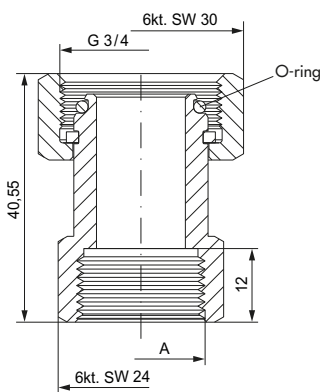
Body / union nut: nickel-plated brass
 Moulded seal: EPDM

Restoration / Renovation

Threaded pipe adapter



- // Adapter with G 3/4 union nut to internal thread
- // O-ring sealing
- // Nickel-plated brass
- // Euro cone compatible



Version	Item No.
G 3/8 x G 3/4	2 559 3438 01
G 1/2 x G 3/4	2 559 3412 01

Technical data

Operating temperature:	up to 120 °C
Operating pressure:	10 bar

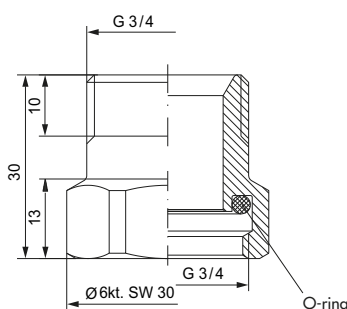
Material data

Body / union nut:	nickel-plated brass
Moulded seal:	EPDM

Extension for connection fittings



- // For the adjustment of horizontal and vertical pipe distances
- // Installation height 30 mm
- // O-ring sealing
- // Nickel-plated brass
- // Euro cone compatible



Version	Item No.
G 3/4 x G 3/4	2 555 3434 01

Technical data

Operating temperature:	up to 120 °C
Operating pressure:	10 bar

Materialdaten

Body / union nut:	nickel-plated brass
Moulded seal:	EPDM

Y-piece

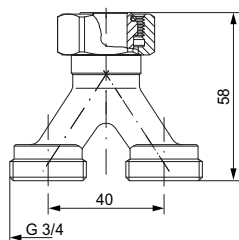


- // Union nut G 3/4
- // Nickel-plated brass
- // Euro cone compatible

Version	Item No.
G 3/4	2 257 0008 01
with 1 nipple G 1/2 x G 3/4	2 257 0009 01

Technical data	
Operating temperature:	up to 120 °C
Operating pressure:	10 bar

Material data	
Body / union nut:	nickel-plated brass
Moulded seal:	EPDM
Connection nipple:	brass blank



Mounting bridge

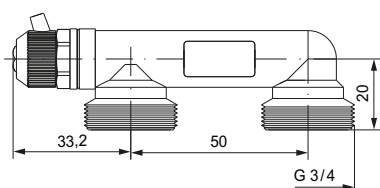


- // To span the flow and return pipes
- // With HUMMEL air vent
- // 50 mm from center to center
- // Nickel-plated brass
- // Euro cone compatible

Version	Item No.
G 3/4	2 257 0001 01

Technical data	
Operating temperature:	up to 120 °C
Operating pressure:	10 bar

Material data	
Body:	nickel-plated brass
Moulded seal:	EPDM
Plastic cap:	PA

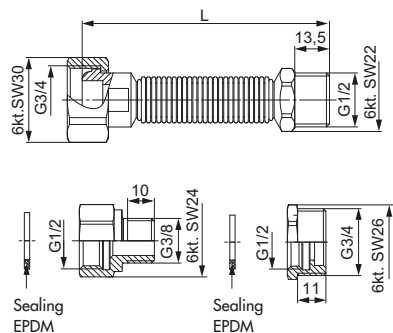


Restoration / Renovation

Flexible radiator connection



- // Union nut G 3/4
- // Extendable corrugated tube made of stainless steel
- // Euro cone compatible



Version	L	Item No.
G 3/4 x G 3/8 external thread flat sealing	65–95 mm	2 821 1238 01
G 3/4 x G 3/4 external thread flat sealing	65–95 mm	2 821 1234 01
G 3/4 x G 3/8 external thread flat sealing	93–143 mm	2 820 1238 01
G 3/4 x G 3/4 external thread flat sealing	93–143 mm	2 820 1234 01

Technical data

Operating temperature:	up to 120 °C
Operating pressure:	10 bar

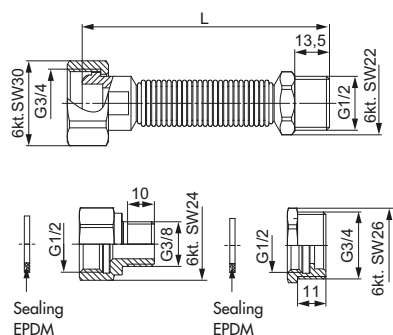
Material data

Corrugated tube:	stainless steel
Union nut:	nickel-plated brass
Reduction:	nickel-plated brass
Moulded seal:	EPDM

Flexible radiator connection set



- // Union nut G 3/4
- // Extendable corrugated tube made of stainless steel
- // Euro cone compatible
- // Including reduction G 1/2 x G 3/8 and G 3/4 x G 1/2



Version	L	Item No.
G 3/4 euro cone x G 3/8 + G 3/4 external thread	65–95 mm	2 826 1238 341
G 3/4 euro cone x G 3/8 + G 3/4 external thread	93–143 mm	2 827 1238 341
G 3/4 euro cone x G 3/8 + G 3/4 external thread	115–210 mm	2 828 1238 341
G 3/4 euro cone x G 3/8 + G 3/4 external thread	190–410 mm	2 829 1238 341

Technical data

Operating temperature:	up to 120 °C
Operating pressure:	10 bar

Material data

Corrugated tube:	stainless steel
Union nut:	nickel-plated brass
Reduction:	nickel-plated brass
Moulded seal:	EPDM

Difference in distance



Cam
for conically-sealing
connection fittings

2 556 341 2 01
2 556 343 4 01



**Flexible radiator
connection**

2 820 1238 01
2 820 1234 01
2 821 1238 01
2 821 1234 01



**Flexible radiator
connection Set**

2 826 1238 341
2 827 1238 341
2 828 1238 341
2 829 1238 341



Mounting bridge
to bridge flow and return
flow pipes

2 257 0001 01



Reduction
G 5/8 x G 3/4
Euro cone compatible

2 254 5834 01

Steel pipe connections



Steel pipe adapter
Euro cone internal thread

2 353 3834 01
2 353 1234 01



Steel pipe adapter
External thread

2 355 381 2 01 2 355 101 0 01
2 355 121 2 01 2 355 545 4 01
2 355 343 4 01 2 355 646 4 01



Steel pipe adapter
Euro cone external thread

2 354 3834 01
2 354 1234 01
2 354 3434 01



Steel pipe adapter
Internal thread

2 356 381 2 01
2 356 121 2 01



Steel pipe adapter
for drinking water systems

2 755 121 2 00 2 755 545 4 00
2 755 343 4 00 2 755 646 4 00
2 755 101 0 00

Different pipe connections



MKV-K
Compression fitting
for plastic / multilayer metal pipes

2 862 120 2 01 2 862 170 2 01
2 862 140 2 01 2 862 180 2 01
2 862 160 2 01 2 862 200 2 01



Speed FIX
Compression fitting

2 855 001 5 01



MKV-M
Compression fitting for
copper, precision steel
and stainless steel pipes

2 855 000 1 01
2 855 000 2 01
2 855 000 3 01



MKV
Coupling nipple

2 253 343 4 01
2 253 343 4 00



Coupling T-piece
External thread

2 253 349 5 01

Height adjustment



Cone adapter

2 155 343 4 01



Telescopic connection

2 559 380 0 01
2 559 120 0 01
2 559 340 0 01



Telescopic extension

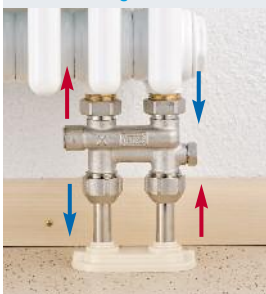
2 559 343 4 01



**Extension for
connection fitting**

2 555 343 4 01

Interchanged flow and return



**Flat-sealing straight-
type diverter**
with shut-off capability for
one- and two-pipe systems

2 257 002 3 01



**Flat-sealing corner-
type diverter**
with shut-off capability for
one- and two-pipe systems

2 257 002 6 01



**Flat-sealing straight-
type diverter**
without shut-off capability

2 257 000 4 01



**Flat-sealing corner-
type diverter**
with shut-off capability

2 257 001 0 01



**Flat-sealing straight-
type diverter**
with shut-off capability

2 257 000 2 01

FITTINGS

Two-pipe connections	▶ 24
One-pipe connections	▶ 27
Single connections	▶ 28
Thermostatic valves	▶ 30
Lockshields	▶ 34
Thermostatic heads	▶ 36
BasisPLUS	▶ 38
BasisPLUS Accessories	▶ 42
Compression fittings	▶ 44
Connectors / Nipples	▶ 46
Venting / Draining valves	▶ 50
Plugs / Reductions	▶ 58

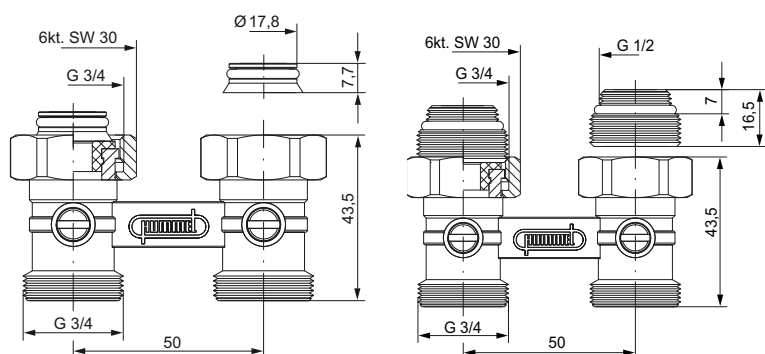


Two-pipe connections

Flat-sealing straight-type terminal block



- // Union nut G 3/4
- // Ball shut-off
- // 50 mm distance from center to center
- // Nickel-plated brass
- // Euro cone compatible



Version	Item No.
with 2 cone inserts	2 249 3436 01
with 2 nipples G 1/2 x G 3/4	2 249 3435 01
with 2 cone inserts chrome	2 249 3436 02
with 2 cone inserts white	2 249 3436 90
with 2 nipples G 1/2 x G 3/4 chrome	2 249 3435 02
with 2 nipples G 1/2 x G 3/4 white	2 249 3435 90

Technical data

Operating temperature: up to 120 °C
 Operating pressure: 10 bar

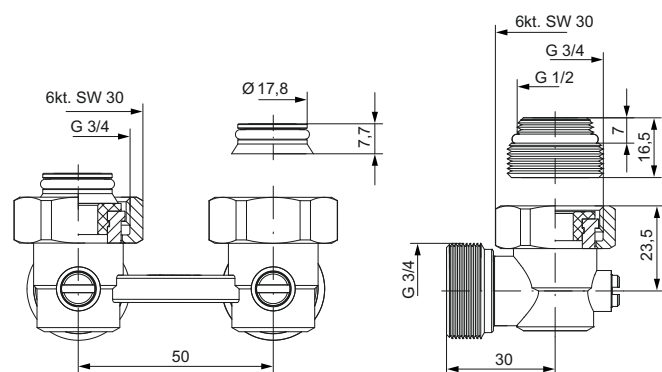
Material data

Body / union nut: nickel-plated brass
 Moulded seal: EPDM / Teflon
 Connection nipple: brass blank
 Cone insert: PA

Flat-sealing corner-type terminal block



- // Union nut G 3/4
- // Ball shut-off
- // 50 mm distance from center to center
- // Nickel-plated brass
- // Euro cone compatible



Version	Item No.
with 2 cone inserts	2 249 8436 01
with 2 nipples G 1/2 x G 3/4	2 249 8435 01
with 2 cone inserts chrome	2 249 8436 02
with 2 cone inserts white	2 249 8436 90
with 2 nipples G 1/2 x G 3/4 chrome	2 249 8435 02
with 2 nipples G 1/2 x G 3/4 white	2 249 8435 90

Technical data

Operating temperature: up to 120 °C
 Operating pressure: 10 bar

Material data

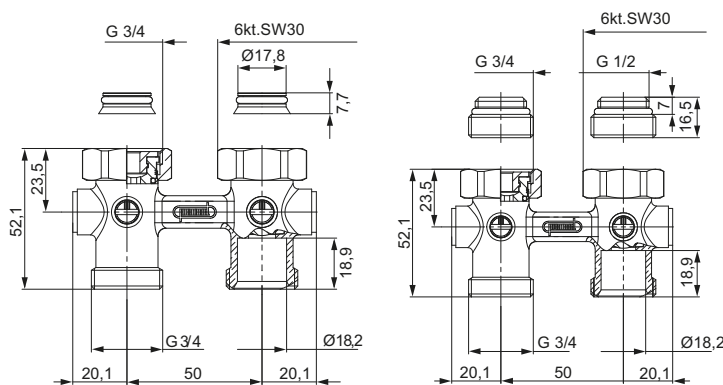
Body / union nut: nickel-plated brass
 Moulded seal: EPDM / Teflon
 Connection nipple: brass blank
 Cone insert: PA

Two-pipe connections

Flat sealing drainable fitting, straight type



- // Union nut G 3/4
- // Ball shut-off
- // 50 mm distance from center to center
- // Nickel-plated brass
- // Lateral connection G 1/4
- // Euro cone compatible



Version	Item No.
with 2 cone inserts	2 218 3436 01
with 2 nipples G 1/2 x G 3/4	2 218 3435 01

Technical data

Operating temperature:	up to 120 °C
Operating pressure:	10 bar

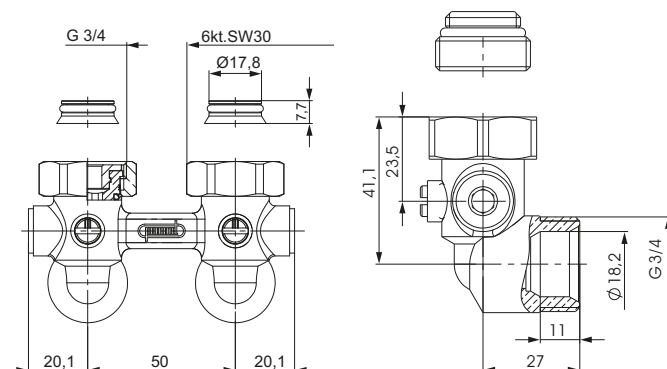
Material data

Body / union nut:	nickel-plated brass
Moulded seal:	EPDM / Teflon
Connection nipple:	brass blank
Cone insert:	PA

Flat sealing drainable fitting, corner-type



- // Union nut G 3/4
- // Ball shut-off
- // 50 mm distance from center to center
- // Nickel-plated brass
- // Lateral connection G 1/4
- // Euro cone compatible



Version	Item No.
with 2 cone inserts	2 218 8436 01
with 2 nipples G 1/2 x G 3/4	2 218 8435 01

Technical data

Operating temperature:	up to 120 °C
Operating pressure:	10 bar

Material data

Body / union nut:	nickel-plated brass
Moulded seal:	EPDM / Teflon
Connection nipple:	brass blank
Cone insert:	PA

Two-pipe connections

Flat-sealing quadruple terminal block with bridge



- // Union nut G 3/4
- // Ball shut-off
- // Nickel-plated brass
- // Euro cone compatible

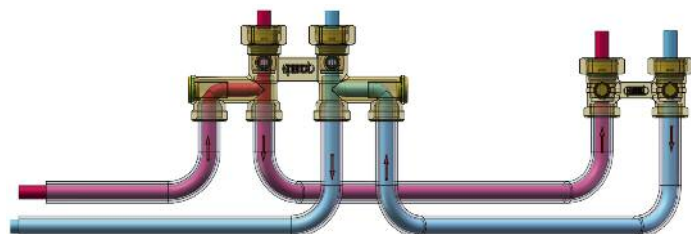
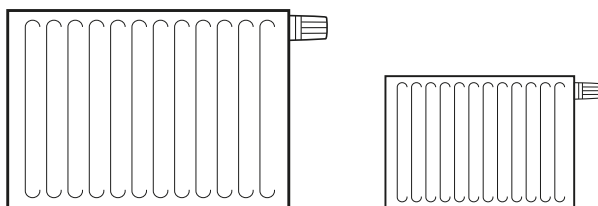
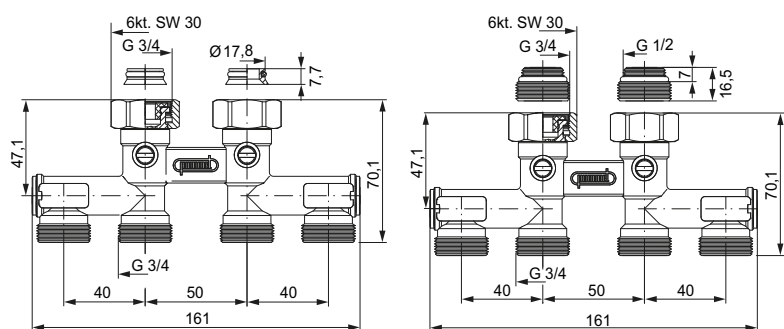
Version	Item No.
with 2 cone inserts	2 257 0021 01
with 2 nipples G 1/2 x G 3/4	2 257 0022 01

Technical data

Operating temperature:	up to 120 °C
Operating pressure:	10 bar

Material data

Body / union nut:	nickel-plated brass
Moulded seal:	EPDM / Teflon
Connection nipple:	brass blank
Cone insert:	PA



One-pipe connections

Flat-sealing straight-type one-pipe terminal block

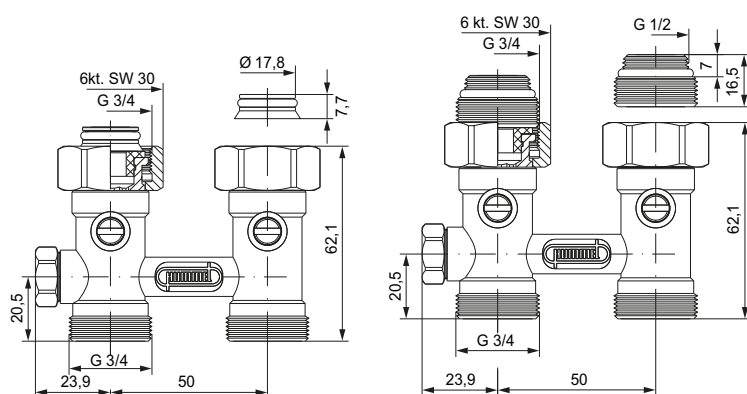


- // With lateral bypass spindle
- // Union nut G 3/4
- // Ball shut-off
- // 50 mm distance from center to center
- // Nickel-plated brass
- // Euro cone compatible

Version	Item No.
with 2 cone inserts	2 248 3436 01
with 2 nipples G 1/2 x G 3/4	2 248 3435 01

Technical data	
Operating temperature:	up to 120 °C
Operating pressure:	10 bar

Material data	
Body / union nut:	nickel-plated brass
Moulded seal:	EPDM / Teflon
Connection nipple:	brass blank
Cone insert:	PA



Flat-sealing corner-type one-pipe terminal block

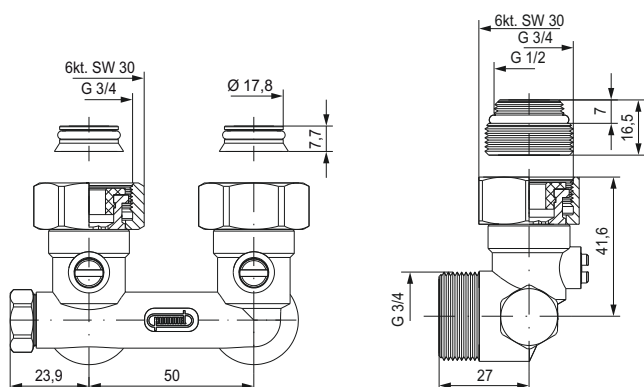


- // With lateral bypass spindle
- // Union nut G 3/4
- // Ball shut-off
- // 50 mm distance from center to center
- // Nickel-plated brass
- // Euro cone compatible

Version	Item No.
with 2 cone inserts	2 248 8436 01
with 2 nipples G 1/2 x G 3/4	2 248 8435 01

Technical data	
Operating temperature:	up to 120 °C
Operating pressure:	10 bar

Material data	
Body / union nut:	nickel-plated brass
Moulded seal:	EPDM / Teflon
Connection nipple:	brass blank
Cone insert:	PA

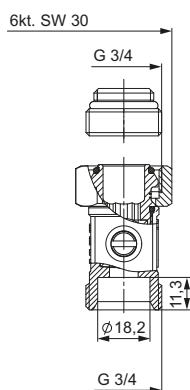
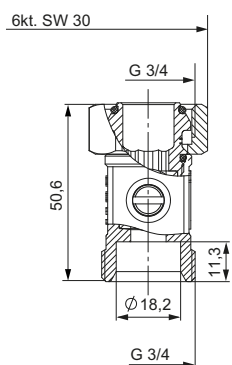


Single connections

Conically-sealing straight-type single connection



- // Union nut G 3/4
- // Ball shut-off
- // Nickel-plated brass
- // Euro cone compatible



Version	Item No.
G 3/4	2 256 3434 01
with 1 nipple G 1/2 x G 3/4	2 256 3435 01

Technical data

Operating temperature:	up to 120 °C
Operating pressure:	10 bar

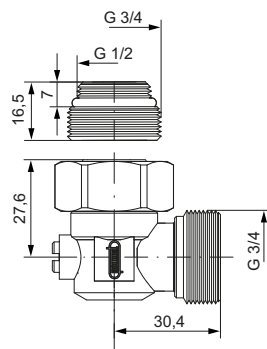
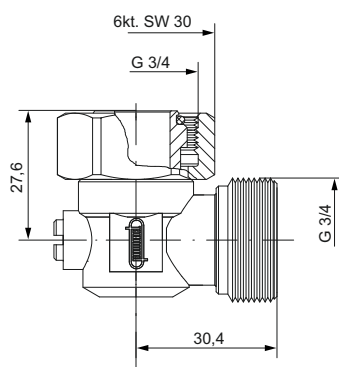
Material data

Body / union nut:	nickel-plated brass
Moulded seal:	EPDM / Teflon
Connection nipple:	brass blank

Conically-sealing corner-type single connection



- // Union nut G 3/4
- // Ball shut-off
- // Nickel-plated brass
- // Euro cone compatible



Version	Item No.
G 3/4	2 256 8434 01
with 1 nipple G 1/2 x G 3/4	2 256 8435 01

Technical data

Operating temperature:	up to 120 °C
Operating pressure:	10 bar

Material data

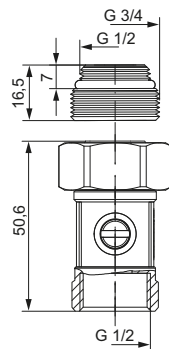
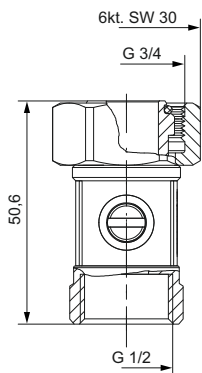
Body / union nut:	nickel-plated brass
Moulded seal:	EPDM / Teflon
Connection nipple:	brass blank

Single connections

Conically-sealing straight-type single connection with internal thread



- // Union nut G 3/4
- // Internal thread G 1/2
- // Ball shut-off
- // Nickel-plated brass
- // Euro cone compatible



Version	Item No.
G 3/4	2 256 1234 01
with 1 nipple G 1/2 x G 3/4	2 256 1235 01

Technical data

Operating temperature:	up to 120 °C
Operating pressure:	10 bar

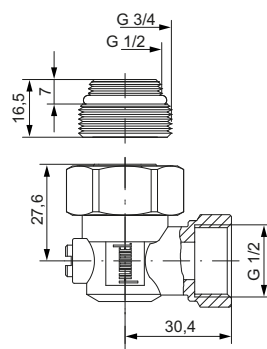
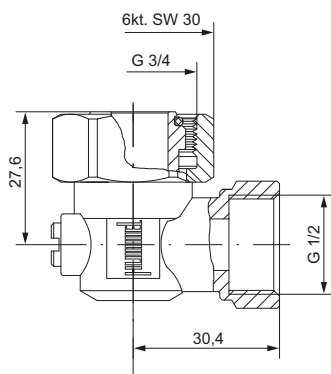
Material data

Body / union nut:	nickel-plated brass
Moulded seal:	EPDM / Teflon
Connection nipple:	brass blank

Conically-sealing corner-type single connection with internal thread



- // Union nut G 3/4
- // Internal thread G 1/2
- // Ball shut-off
- // Nickel-plated brass
- // Euro cone compatible



Version	Item No.
G 3/4	2 256 8412 01
with 1 nipple G 1/2 x G 3/4	2 256 8413 01

Technical data

Operating temperature:	up to 120 °C
Operating pressure:	10 bar

Material data

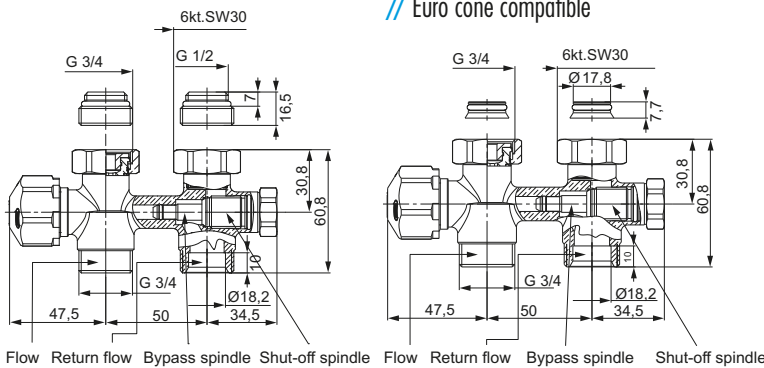
Body / union nut:	nickel-plated brass
Moulded seal:	EPDM / Teflon
Connection nipple:	brass blank

Thermostatic valves

Flat-sealing straight-type TBblock, with shut-off capability, for one and two-pipe systems



- // With preset thermostatic valve insert and protective cap
- // For thermostatic heads with connection thread M 30 x 1.5 mm
- // With lateral bypass spindle
- // With lateral spindle shut-off
- // Union nut G 3/4
- // 50 mm distance from center to center
- // Nickel-plated brass
- // Possible valve inflow in reversed direction
- // Euro cone compatible



Version	Item No.
with 2 cone inserts	2 219 3436 01
with 2 nipples G 1/2 x G 3/4	2 219 3435 01
with 2 cone inserts chrome	2 219 3436 02
with 2 cone inserts white	2 219 3436 90
with 2 nipples G 1/2 x G 3/4 chrom	2 219 3435 02
with 2 nipples G 1/2 x G 3/4 v	2 219 3435 90

Technical data

Operating temperature:	up to 90 °C
Operating pressure:	10 bar

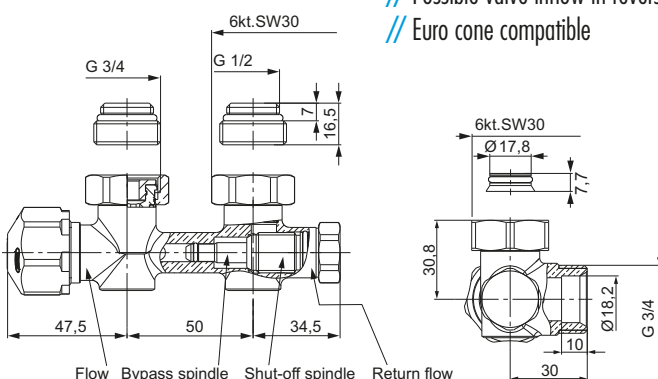
Material data

Body / union nut:	nickel-plated brass
Moulded seal:	EPDM / Teflon
Connection nipple:	brass blank
Cone insert:	PA

Flat sealing TBblock, corner type with shut-off capability, for one and two-pipe systems



- // With preset thermostatic valve insert and protective cap
- // For thermostatic heads with connection thread M 30 x 1.5 mm
- // With lateral bypass spindle
- // With lateral spindle shut-off
- // Union nut G 3/4
- // 50 mm distance from center to center
- // Nickel-plated brass
- // Possible valve inflow in reversed direction
- // Euro cone compatible



Version	Item No.
with 2 cone inserts	2 219 8436 01
with 2 nipples G 1/2 x G 3/4	2 219 8435 01
with 2 cone inserts chrome	2 219 8436 02
with 2 cone inserts white	2 219 8436 90
with 2 nipples G 1/2 x G 3/4 chrom	2 219 8435 02
with 2 nipples G 1/2 x G 3/4 white	2 219 8435 90

Technical data

Operating temperature:	up to 90 °C
Operating pressure:	10 bar

Material data

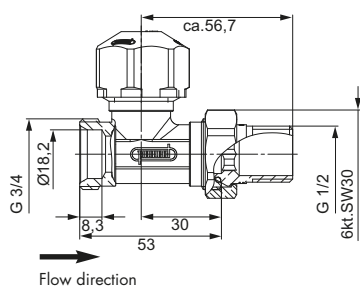
Body / union nut:	nickel-plated brass
Moulded seal:	EPDM / Teflon
Connection nipple:	brass blank
Cone insert:	PA

Thermostatic valves

Straight-type thermostatic valve with euro cone



- // Single connection fitting with preset thermostatic valve insert and protective cap
- // For thermostatic heads with connection thread M 30 x 1.5 mm
- // G 1/2 x G 3/4
- // Euro cone compatible



Version	Item No.
nickel-plated brass	2 914 1234 01
chrome	2 914 1234 02
white	2 914 1234 90

Technical data

Operating temperature:	up to 90 °C
Operating pressure:	10 bar

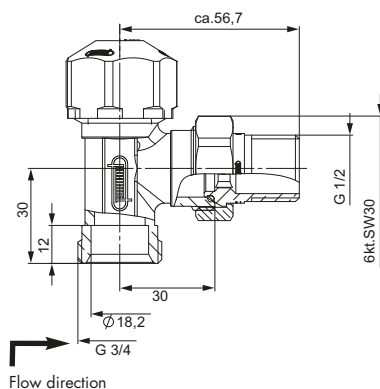
Material data

Body / union nut:	nickel-plated brass
Moulded seal:	EPDM

Corner-type thermostatic valve with euro cone



- // Single connection fitting with preset thermostatic valve insert and protective cap
- // For thermostatic heads with connection thread M 30 x 1.5 mm
- // G 1/2 x G 3/4
- // Euro cone compatible



Version	Item No.
nickel-plated brass	2 904 1234 01
chrome	2 904 1234 02
white	2 904 1234 90

Technical data

Operating temperature:	up to 90 °C
Operating pressure:	10 bar

Material data

Body / union nut:	nickel-plated brass
Moulded seal:	EPDM

Thermostatic valves

Straight-type thermostatic valve



- // Straight-type single-connection thermostatic valve fitting insert and protective installation cap
- // For thermostatic heads with connection M 30 x 1,5 mm
- // Nickel-plated brass

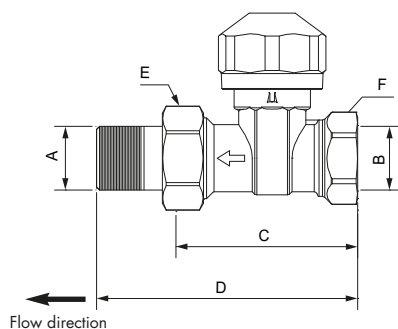
Version						
A	B	C	D	E	F	Item No.
G 3/8	G 3/8	50	75	SW 27	SW 22	2 914 3800 01
G 1/2	G 1/2	56	84	SW 30	SW 27	2 914 1200 01
G 3/4	G 3/4	69	96	SW 38	SW 32	2 914 3400 01

Technical data

Operating temperature:	up to 90 °C
Operating pressure:	10 bar

Material data

Body / union nut:	nickel-plated brass
Moulded seal:	EPDM



Corner-type single-connection fitting thermostatic valve



- // Straight-type single-connection thermostatic valve fitting insert and protective installation cap
- // For thermostatic heads with connection M 30 x 1,5 mm
- // Nickel-plated brass

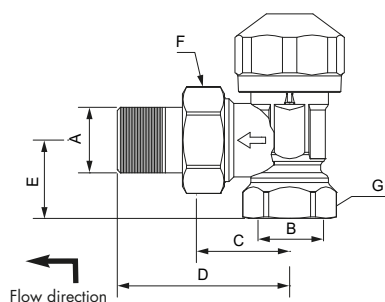
Version							
A	B	C	D	E	F	G	Item No.
G 3/8	G 3/8	24	49	20	SW 27	SW 22	2 904 3800 01
G 1/2	G 1/2	26	53	25	SW 30	SW 27	2 904 1200 01
G 3/4	G 3/4	30	60	29	SW 35	SW 38	2 904 3400 01

Technical data

Operating temperature:	up to 90 °C
Operating pressure:	10 bar

Material data

Body / union nut:	nickel-plated brass
Moulded seal:	EPDM

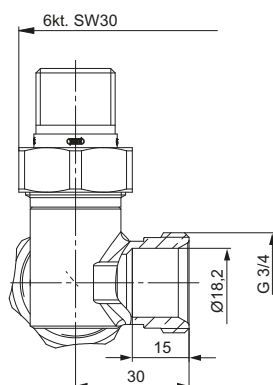
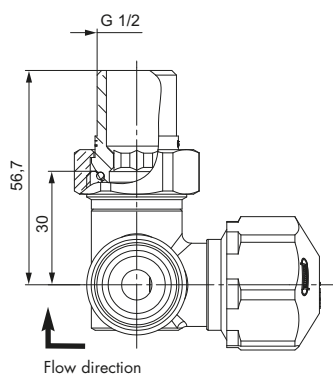


Thermostatic valves

Angled thermostatic valve with euro cone, right connection



- // Single connection fitting with preset thermostatic valve insert and protective cap
- // For thermostatic heads with connection thread M 30 x 1.5 mm
- // G 1/2 x G 3/4
- // Euro cone compatible



Version	Item No.
nickel-plated brass	2 922 1234 01
chrome	2 922 1234 02
white	2 922 1234 90

Technical data

Operating temperature:	up to 90 °C
Operating pressure:	10 bar

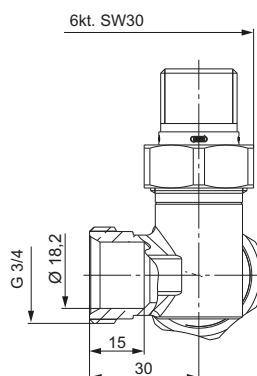
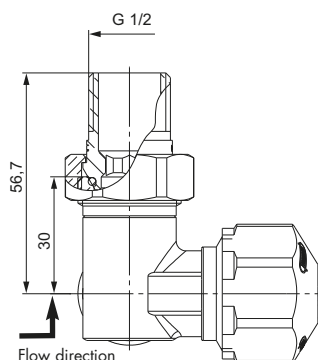
Material data

Body / union nut:	nickel-plated brass
Moulded seal:	EPDM

Angled thermostatic valve with euro cone, left connection



- // Single connection fitting with preset thermostatic valve insert and protective cap
- // For thermostatic heads with connection thread M 30 x 1.5 mm
- // G 1/2 x G 3/4
- // Euro cone compatible



Version	Item No.
nickel-plated brass	2 923 1234 01
chrome	2 923 1234 02
white	2 923 1234 90

Technical data

Operating temperature:	up to 90 °C
Operating pressure:	10 bar

Material data

Body / union nut:	nickel-plated brass
Moulded seal:	EPDM

Lockshields

Straight-type lockshield



- // Shut-off capability
- // Adjustable rate of flow
- // Nickel-plated brass

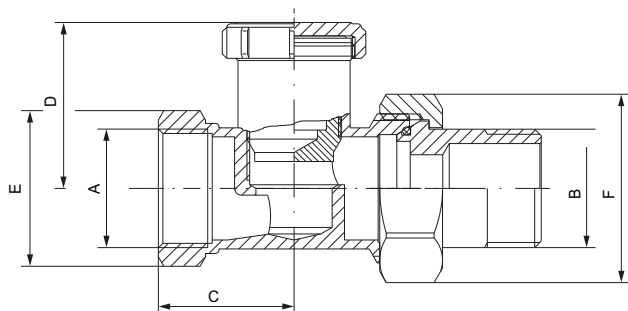
Version						
A	B	C	D	E	F	Item No.
G 3/8	G 3/8	20	30	SW 22	SW 25	2 915 3800 01
G 1/2	G 1/2	22	31	SW 26	SW 30	2 915 1200 01
G 3/4	G 3/4	35	37	SW 30	SW 37	2 915 3400 01

Technical data

Operating temperature: up to 90 °C
 Operating pressure: 10 bar

Material data

Body / union nut: nickel-plated brass
 Moulded seal: EPDM



Corner-type lockshield



- // Shut-off capability
- // Adjustable rate of flow
- // Nickel-plated brass

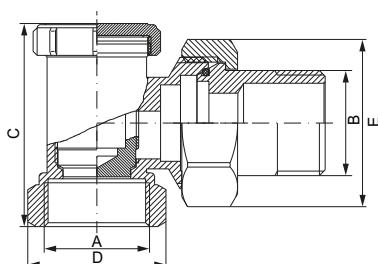
Version					
A	B	C	D	E	Item No.
G 3/8	G 3/8	42	SW 22	SW 25	2 905 3800 01
G 1/2	G 1/2	46	SW 26	SW 30	2 905 1200 01
G 3/4	G 3/4	58	SW 30	SW 37	2 905 3400 01

Technical data

Operating temperature: up to 90 °C
 Operating pressure: 10 bar

Material data

Body / union nut: nickel-plated brass
 Moulded seal: EPDM

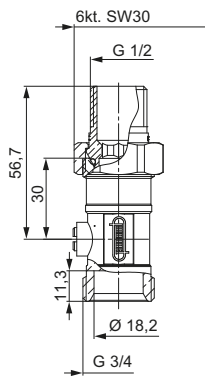


Lockshields

Straight-type lockshield with euro cone



- // Ball shut-off
- // G 1/2 x G 3/4
- // Euro cone compatible



Version	Item No.
nickel-plated brass	2 920 1234 01
chrome	2 920 1234 02
white	2 920 1234 90

Technical data

Operating temperature:	up to 90 °C
Operating pressure:	10 bar

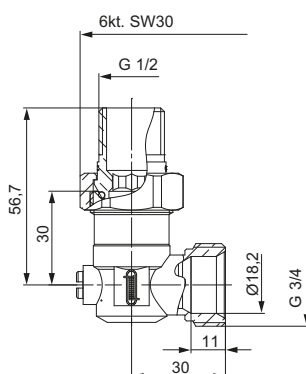
Material data

Body / union nut:	brass
Moulded seal:	EPDM

Corner-type lockshield with euro cone



- // Ball shut-off
- // G 1/2 x G 3/4
- // Euro cone compatible



Version	Item No.
nickel-plated brass	2 925 1234 01
chrome	2 925 1234 02
white	2 925 1234 90

Technical data

Operating temperature:	up to 90 °C
Operating pressure:	10 bar

Material data

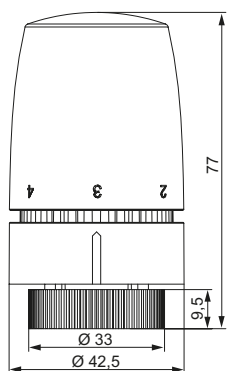
Body / union nut:	brass
Moulded seal:	EPDM

Thermostatic heads

Thermostatic head M 30 x 1,5 mm



- // Connection thread M 30 x 1,5 mm
- // Zero position
- // Liquid sensor
- // Temperature limit



Version	Item No.
white	2 907 0001 90

Technical data

Adjustment range:	8 – 28 °C
Setpoint range:	1 – 5
Anti-freeze setting:	yes
Position 0:	radiator completely closed
Setpoint 3:	20 °C
Hysteresis:	0.66 K
Influence of water temperature:	0.83 K
Influence of pressure difference:	0.44 K
Closing time:	≈ 31 min
Maximum sensor temperature:	50 °C

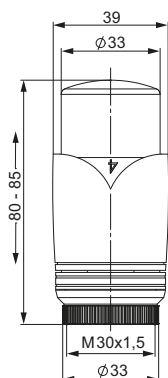
Material data

Thermostatic head:	ABS / PA
Union nut:	brass plated

Thermostatic head M 30 x 1,5 mm



- // Connection thread M 30 x 1,5 mm
- // Liquid sensor
- // Temperature limit
- // Anti-freeze setting



Version	Item No.
high gloss chrome-plated	2 907 3015 02
matte-chrome (MC)	2 907 3015 60
nickel-chrome (NC)	2 907 3015 80
white	2 907 3015 90

Technical data

Adjustment range:	8 – 30 °C
Setpoint range:	1 – 6
Anti-freeze setting:	yes
Setpoint 3:	20 °C
Hysteresis:	0.20 K
Influence of water temperature:	0.3 K
Influence of pressure difference:	0.3 K
Closing time:	≈ 18 min
Maximum sensor temperature:	50 °C

Material data

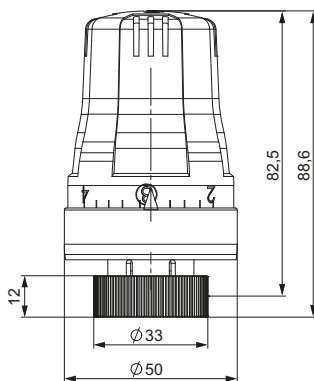
Thermostatic head:	ABS / PA
Union nut:	brass plated

Thermostatic heads

Thermostatic head M 30 x 1,5 mm



- // Connection thread M 30 x 1,5 mm
- // Zero position
- // Liquid sensor
- // Temperature limit



Version	Item No.
chrome	2 907 3018 02
white	2 907 3018 90

Technical data

Adjustment range:	8 – 28 °C
Setpoint range:	1 – 5
Anti-freeze setting:	yes
Position 0:	radiator completely closed
Setpoint 3:	20 °C
Hysteresis:	0.20 K
Influence of water temperature:	0.72 K
Influence of pressure difference:	0.38 K
Closing time:	≈ 18 min
Maximum sensor temperature:	50 °C

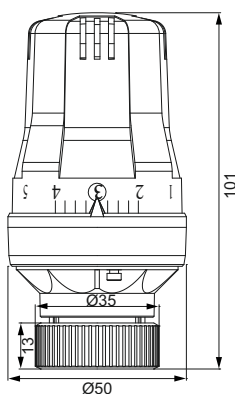
Material data

Thermostatic head:	ABS / PA
Union nut:	brass plated

Thermostatic head with terminal connection „D“



- // Clamp connection for Danfoss base parts and valve trims
- // Suitable to series RA
- // Zero position
- // Liquid sensor
- // Temperature limit



Version	Item No.
chrome	2 907 3118 02
white	2 907 3118 90

Technical data

Adjustment range:	8 – 28 °C
Setpoint range:	1 – 5
Anti-freeze setting:	yes
Position 0:	radiator completely closed
Setpoint 3:	20 °C
Hysteresis:	0.20 K
Influence of water temperature:	0.72 K
Influence of pressure difference:	0.38 K
Closing time:	≈ 18 min
Maximum sensor temperature:	50 °C

Material data

Thermostatic head:	ABS / PA
Union nut:	brass plated

BasisPLUS

BasisPLUS Set 1



- Content**
- // Straight-type terminal block
 - // SpeedFIX 15 mm
 - // Collar
 - // Plastic cone inserts
 - // Flat sealing connection nipples, brass blank

Version	Item No.
BasisPLUS Set chrome	2 810 0401 02
BasisPLUS Set white	2 810 0401 90

Technical data

Operating temperature:	up to 90 °C
Operating pressure:	10 bar

Material data

Body / union nut:	brass plated
Moulded seal:	EPDM / Teflon
Connection nipple:	brass blank
Cone insert:	PA
Thermostatic head:	ABS / PA-brass plated
Collar:	ABS

BasisPLUS Set 2



- Content**
- // Corner-type terminal block
 - // SpeedFIX 15 mm
 - // Collar
 - // Plastic cone inserts
 - // Flat sealing connection nipples, brass blank

Version	Item No.
BasisPLUS Set chrome	2 810 0402 02
BasisPLUS Set white	2 810 0402 90

Technical data

Operating temperature:	up to 90 °C
Operating pressure:	10 bar

Material data

Body / union nut:	brass plated
Moulded seal:	EPDM / Teflon
Connection nipple:	brass blank
Cone insert:	PA
Thermostatic head:	ABS / PA-brass plated
Collar:	ABS

BasisPLUS

BasisPLUS Set 5



// Flow at the valve

Content

// TBblock straight type

// SpeedFIX 15 mm

// Collar

// Plastic cone inserts

// Flat sealing connection nipples,
brass blank

Version	Item No.
BasisPLUS Set chrome	2 810 0405 02
BasisPLUS Set white	2 810 0405 90

Technical data

Operating temperature:	up to 90 °C
Operating pressure:	10 bar
Maximum sensor temperature:	up to 50 °C

Material data

Body / union nut:	brass plated
Moulded seal:	EPDM / Teflon
Connection nipple:	brass blank
Cone insert:	PA
Thermostatic head:	ABS / PA-brass plated
Collar:	ABS

BasisPLUS Set 6



// Flow at the valve

Content

// TBblock corner-type

// SpeedFIX 15 mm

// Collar

// Plastic cone inserts

// Flat sealing connection nipples,
brass blank

Version	Item No.
BasisPLUS Set chrome	2 810 0406 02
BasisPLUS Set white	2 810 0406 90

Technical data

Operating temperature:	up to 90 °C
Operating pressure:	10 bar
Maximum sensor temperature:	up to 50 °C

Material data

Body / union nut:	brass plated
Moulded seal:	EPDM / Teflon
Connection nipple:	brass blank
Cone insert:	PA
Thermostatic head:	ABS / PA-brass plated
Collar:	ABS

BasisPLUS

BasisPLUS Set 9



- Content**
- // Single connection, straight-type
 - // Lockshield, straight-type
 - // Single collar 15 mm
 - // *SpeedFIX* 15 mm
 - // Thermostatic head

Version	Item No.
BasisPLUS Set chrome	2 810 0501 02
BasisPLUS Set white	2 810 0501 90

Technical data

Operating temperature:	up to 90 °C
Operating pressure:	10 bar
Maximum sensor temperature:	up to 50 °C

Material data

Body / union nut:	brass plated
Moulded seal:	EPDM / Teflon
Thermostatic head:	ABS / PA-brass plated
Collar:	ABS

BasisPLUS Set 10



- Content**
- // Single connection, corner-type
 - // Lockshield, straight-type
 - // Single collar 15 mm
 - // *SpeedFIX* 15 mm
 - // Thermostatic head

Version	Item No.
BasisPLUS Set chrome	2 810 0502 02
BasisPLUS Set white	2 810 0502 90

Technical data

Operating temperature:	up to 90 °C
Operating pressure:	10 bar
Maximum sensor temperature:	up to 50 °C

Material data

Body / union nut:	brass plated
Moulded seal:	EPDM / Teflon
Thermostatic head:	ABS / PA-brass plated
Collar:	ABS

BasisPLUS

BasisPLUS Set 11



- Content**
- // Angled corner-type fitting / right connection
 - // Lockshield, corner-type
 - // Single collar
 - // *SpeedFIX* 15 mm
 - // Thermostatic head

Version	Item No.
BasisPLUS Set chrome	2 810 0601 02
BasisPLUS Set white	2 810 0601 90

Technical data

Operating temperature:	up to 90 °C
Operating pressure:	10 bar
Maximum sensor temperature:	up to 50 °C

Material data

Body / union nut:	brass plated
Moulded seal:	EPDM / Teflon
Thermostatic head:	ABS / PA-brass plated
Collar:	ABS

BasisPLUS Set 12



- Content**
- // Angled corner-type fitting / left connection
 - // Lockshield, corner-type
 - // Single collar
 - // *SpeedFIX* 15 mm
 - // Thermostatic head

Version	Item No.
BasisPLUS Set chrome	2 810 0602 02
BasisPLUS Set white	2 810 0602 90

Technical data

Operating temperature:	up to 90 °C
Operating pressure:	10 bar
Maximum sensor temperature:	up to 50 °C

Material data

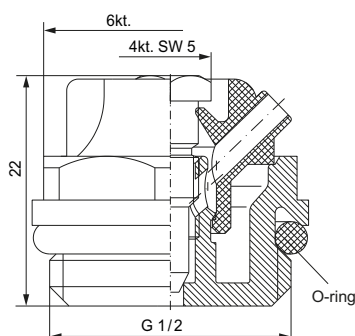
Body / union nut:	brass plated
Moulded seal:	EPDM / Teflon
Thermostatic head:	ABS / PA-brass plated
Collar:	ABS

BasisPLUS Accessories

Air vent



- // Key control via SW5
- // Rotating plastic cap
- // Manufacturer's mark
- // O-ring sealing
- // Chrome / white plated brass



Version	Item No.
G 1/2 chrome	2 536 1201 02
G 1/2 white	2 536 1201 90

Technical data

Operating temperature:	up to 90 °C
Operating pressure:	10 bar

Material data

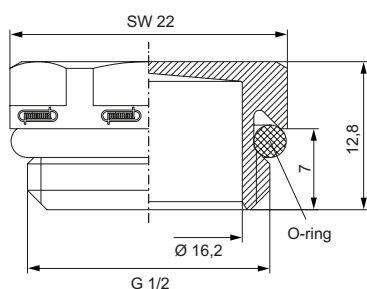
Body:	brass plated
Moulded seal:	EPDM
Plastic cap:	PA

More air vents: see page 50

Sealing plug



- // O-ring sealing
- // Chrome / white plated brass



Version	Item No.
G 1/2 chrome	2 506 1201 02
G 1/2 white	2 506 1201 90

Technical data

Operating temperature:	up to 90 °C
Operating pressure:	10 bar

Material data

Body:	brass plated
Moulded seal:	EPD

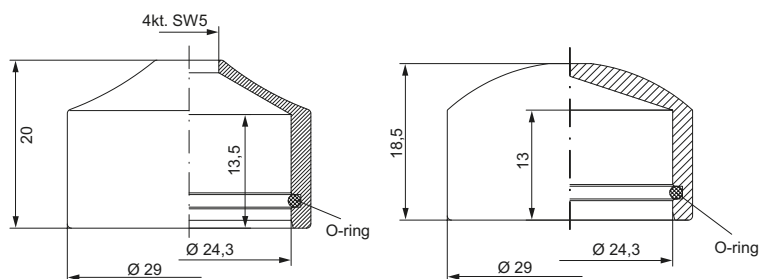
BasisPLUS Accessories

Air vent key



- // HUMMEL set air vent key and cover cap with HUMMEL air vent G 1/2 and blanking plug
- // Chrome plated/white

Version	Item No.
Air vent key set chrome plated	2 400 0002 02
Air vent key set white plated	2 400 0002 90
HUMMEL air vent key with air vent G 1/2, chrome plated	2 400 0800 02
HUMMEL air vent key with air vent G 1/2, white	2 400 0800 90
HUMMEL cover cap with blanking plug G 1/2 chrome plated	2 400 1000 02
HUMMEL cover cap with blanking plug G 1/2, white	2 400 1000 90



Technical data

Operating temperature:	up to 90 °C
Operating pressure:	10 bar

Material data

Body:	brass blank
Moulded seal:	EPDM / NBR
Cover cap:	brass plated

Double collar

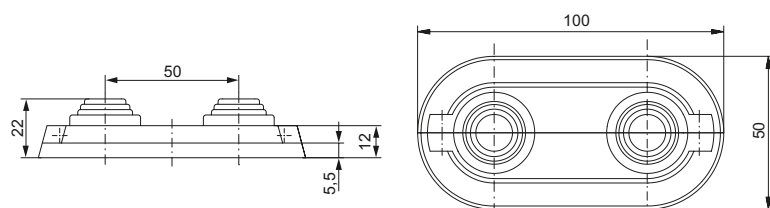


- // For double-connection fittings
- // Made of plastic
- // Can be cut for different pipe diameters
- // 50 mm distance from center to center

Version	Item No.
12/15/18/20 chrome	2 612 5000 02
12/15/18/20 white	2 612 5000 11
14/16/17/20 white	2 612 5001 11

Material data

Collar:	PA / plated
---------	-------------



SpeedFIX

Compression fitting: the fast and safe connection

Compression fittings are ideal problem solvers for safe connections during the radiator assembly. They offer high pull-out forces and connect pipes carefully and without deformations. The compression fittings of the *SpeedFIX* series are characterized by a fast and easy assembly. Just put the *SpeedFIX* on the pipe, screw it in and tighten it with an open-end spanner. This provides you a safe and permanent connection.



Put on



Screw in



Tighten

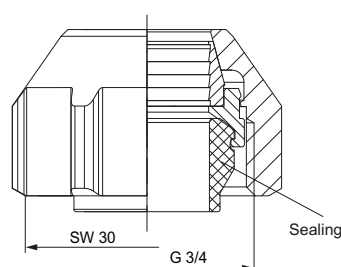


Done

Compression fitting *SpeedFIX 15*



- // Compression fitting 15 mm
- // For copper, precision steel and stainless steel pipes with a wall thickness ≥ 1 mm according to DIN EN 1057, DIN EN 10305-2 and DIN EN 10312
- // EPDM sealing element
- // Nickel-plated brass
- // Euro cone compatible
- // Fixed inner components
- // Low tightening torque (easy mobility)
- // Long distance heating compatible (max. 10 bar with 120 °C)
- // In a practical double set



Version	Clamping range	Item No.
A		
G 3/4	15 mm	2 855 0015 01
G 3/4 chrom	15 mm	2 855 0015 02
G 3/4 weiß	15 mm	2 855 0015 90

Technical data

Operating temperature:	up to 120 °C
Operating pressure:	10 bar

Material data

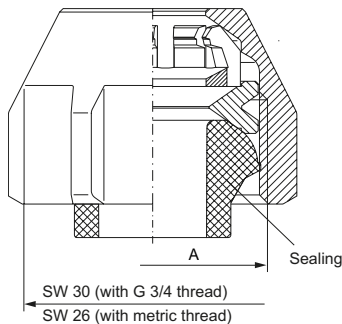
Union nut:	nickel-plated brass
Clamp ring:	brass blank
Moulded seal:	EPDM

Compression fittings

Compression fitting MKV-M



- // For copper, precision steel and stainless steel pipes with a wall thickness ≥ 1 mm according to DIN EN 1057, DIN EN 10305-2 and DIN EN 10312
- // Connection thread G 3/4
- // EPDM sealing element
- // Nickel-plated brass
- // Euro cone compatible
- // Minimum tightening torque of 40 Nm
- // In a practical double set



Version A	Clamping range	Item No.
G 3/4	10 – 12 mm	2 855 0001 01
G 3/4	13 – 15 mm	2 855 0002 01
G 3/4	16 – 18 mm	2 855 0003 01

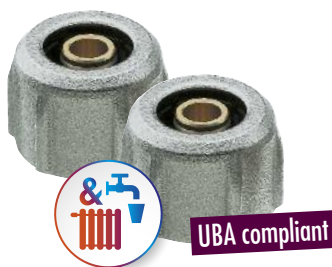
Technical data

Operating temperature:	up to 120 °C
Operating pressure:	10 bar

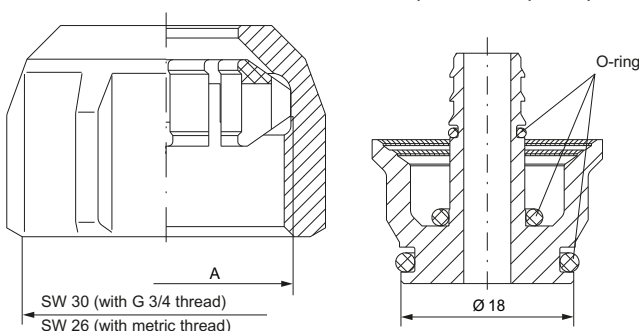
Material data

Union nut:	nickel-plated brass
Clamp ring:	brass blank
Moulded seal:	EPDM

Compression fitting MKV-K



- // For plastic and multilayer metal pipes with integrated, patented plastic clamp insert
- // With support sleeves
- // Connection thread G 3/4
- // Nickel-plated brass
- // Euro cone compatible
- // Minimum tightening torque of 40 Nm
- // In a practical double set
- // Special sizes upon request



Version A	Clamping range	Item No.
G 3/4	12 x 2 mm	2 862 1202 01
G 3/4	14 x 2 mm	2 862 1402 01
G 3/4	16 x 1,8 mm	2 862 1618 01
G 3/4	16 x 2 mm	2 862 1602 01
G 3/4	16 x 2,25 mm	2 862 1622 01
G 3/4	17 x 2 mm	2 862 1702 01
G 3/4	17 x 2,5 mm	2 862 1725 01
G 3/4	18 x 2 mm	2 862 1802 01
G 3/4	20 x 2 mm	2 862 2002 01
G 3/4	20 x 2,5 mm	2 862 2025 01
G 3/4	20 x 2,9 mm	2 862 2029 01

Technical data

Operating temperature (heating):	up to 120 °C
Operating temperature (drinking water):	up to 95 °C
Operating pressure:	10 bar

Material data

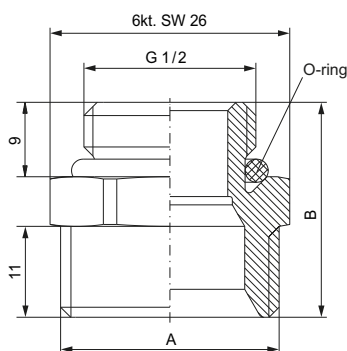
Union nut:	nickel-plated brass
Support sleeve:	brass blank
Clamp ring:	PA
Moulded seal:	EPDM

Connection parts / Nipples

Connection nipple



- // O-ring sealing
- // Nickel-plated brass (heating)
- // Brass blank (drinking water)
- // Euro cone compatible



Version	A	B		Item No.
G 1/2	G 3/4	26	Heating	2 554 1234 01
G 1/2	G 3/4	26	Drinking water	2 554 1234 00

Technical data

Operating temperature (heating):	up to 120 °C
Operating temperature (drinking water):	up to 95 °C
Operating pressure:	10 bar

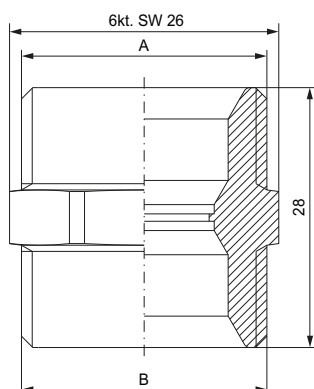
Material data

Body (heating):	nickel-plated brass
Body (drinking water):	brass blank
Moulded seal:	EPDM

Coupling nipple



- // For e.g. HUMMEL compression fitting program (MKV/SpeedFIX) and special solutions
- // Nickel-plated brass (heating)
- // Brass blank (drinking water)
- // Euro cone compatible



Version	A	B		Item No.
G 3/4	G 3/4		Heating	2 253 3434 01
G 3/4	G 3/4		Drinking water	2 253 3434 00

Technical data

Operating temperature (heating):	up to 120 °C
Operating temperature (drinking water):	up to 95 °C
Operating pressure:	10 bar

Material data

Body (heating):	nickel-plated brass
Body (drinking water):	brass blank

Connection parts / Nipples

Reduction



- // Internal thread with sealing / o-ring
- // Nickel-plated brass
- // Euro cone compatible

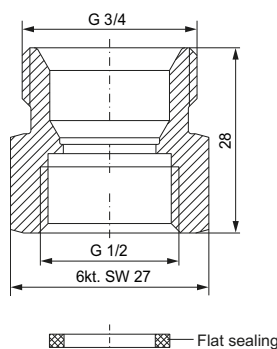
Version	Item No.
G 1/2 x G 3/4	2 254 1244 01
G 5/8 x G 3/4	2 254 5834 01

Technical data

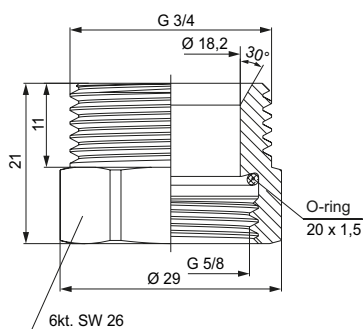
Operating temperature:	up to 120 °C
Operating pressure:	10 bar

Material data

Body:	nickel-plated brass
Moulded seal:	Vulkanfiber
O-ring:	EPDM



2 254 1244 01



2 254 5834 01

Reduction



- // Sealing included
- // Nickel-plated brass

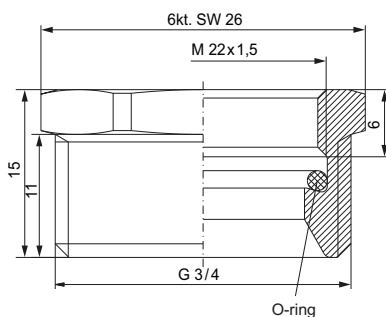
Version	Item No.
G 3/4 x M 22 x 1,5	2 554 2234 01
G 3/4 x G 1/2	2 549 3412 01

Technical data

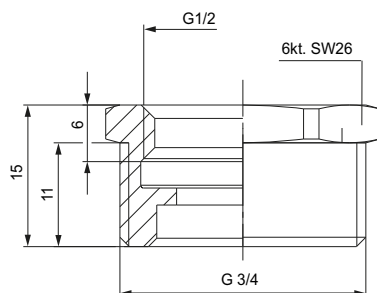
Operating temperature:	up to 120 °C
Operating pressure:	10 bar

Material data

Body:	nickel-plated brass
Moulded seal:	EPDM



2 554 2234 01 Euro cone



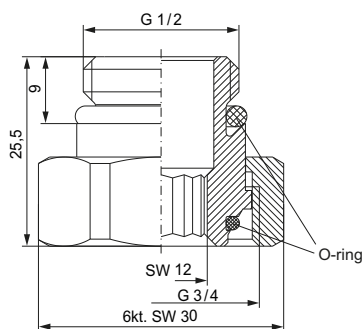
2 549 3412 01 flat sealing

Connection parts / Nipples

Threaded joint connector



- // External thread G 1/2 with o-ring sealing
- // Union nut G 3/4
- // Nickel-plated brass
- // Euro cone compatible



Version	Item No.
G 1/2 x G 3/4	2 908 3412 01

Technical data

Operating temperature:	up to 120 °C
Operating pressure:	10 bar

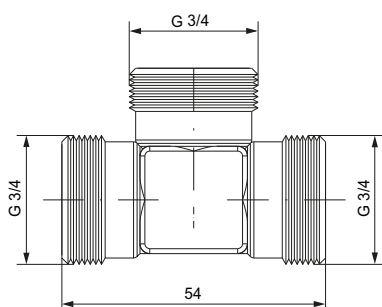
Material data

Body / union nut:	nickel-plated brass
Moulded seal:	EPDM

Coupling T-piece



- // For e.g. HUMMEL compression fitting program (MKV/SpeedFIX) and special solutions
- // Nickel-plated brass
- // Euro cone compatible



Version	Item No.
G 3/4 x G 3/4 x G 3/4	2 253 3495 01

Technical data

Operating temperature:	up to 120 °C
Operating pressure:	10 bar

Material data

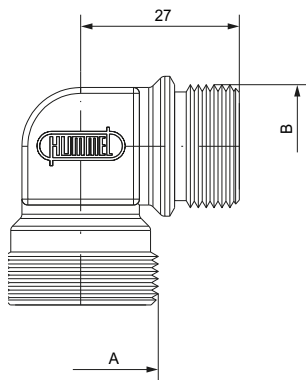
Body:	nickel-plated brass
-------	---------------------

Connection parts / Nipples

Coupling angle



- // For e.g. HUMMEL compression fitting program (MKV/SpeedFIX) and special solutions
- // Nickel-plated brass
- // Euro cone compatible



Version	B	Item No.
A		
G 1/2	G 3/4	2 253 3492 01
G 3/4	G 3/4	2 253 3490 01

Technical data

Operating temperature:	up to 120 °C
Operating pressure:	10 bar

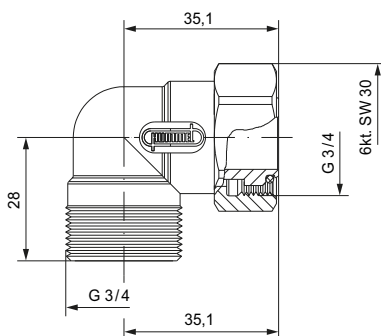
Material data

Body:	nickel-plated brass
-------	---------------------

Coupling angle



- // For e.g. HUMMEL compression fitting program (MKV/SpeedFIX) and special solutions
- // Nickel-plated brass
- // Euro cone compatible



Version	Item No.
G 3/4 x G 3/4	2 552 1234 01

Technical data

Operating temperature:	up to 120 °C
Operating pressure:	10 bar

Material data

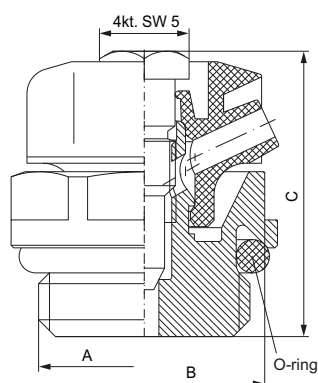
Body / union nut:	nickel-plated brass
Moulded seal:	EPDM

Venting / Draining valves

Air vent



- // Key control via SW 5
- // Rotating plastic cap
- // Changeover for venting hose
- // Manufacturer's mark
- // O-ring sealing
- // Nickel-plated brass



Version	A	B	C	Item No.
G 3/8	SW 19	22,5		2 532 3800 01
G 1/2	SW 22	20		2 537 1200 01

Technical data

Operating temperature:	up to 130 °C
Operating pressure:	10 bar

Material data

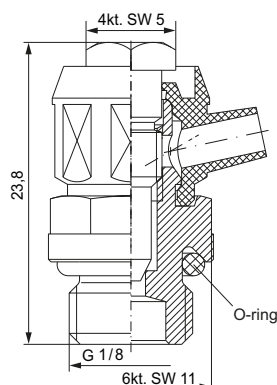
Body / spindle:	nickel-plated brass
Moulded seal:	EPDM
Plastic cap:	PA

More air vents: see page 42

Air vent



- // Key control via SW 5
- // Rotating plastic cap
- // Manufacturer's mark
- // O-ring sealing
- // Nickel-plated brass



Version	Item No.
G 1/8	2 535 1800 01

Technical data

Operating temperature:	up to 130 °C
Operating pressure:	10 bar

Material data

Body / spindle:	nickel-plated brass
Moulded seal:	EPDM
Plastic cap:	PA

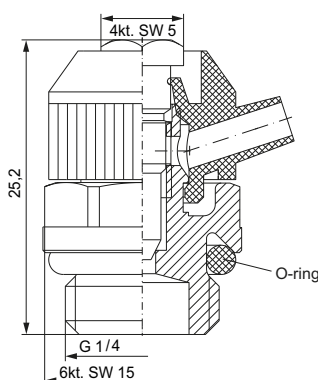
Suitable venting hose: Item no. 2 405 0400 19, see page 73
 Suitable air vent key: e.g. Item no. 2 400 0500 05, see page 72

Venting / Draining valves

Air vent



- // Key control via SW 5
- // Rotating plastic cap
- // Manufacturer's mark
- // O-ring sealing
- // Nickel-plated brass



Version	Item No.
G 1/4	2 531 1400 01

Technical data

Operating temperature:	up to 130 °C
Operating pressure:	10 bar

Material data

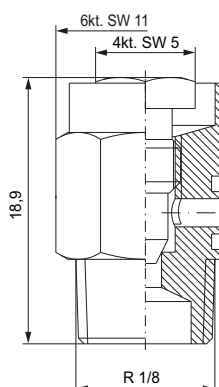
Body / spindle:	nickel-plated brass
Moulded seal:	EPDM
Plastic cap:	PA

Suitable venting hose: Item no. 2 405 0400 19, see page 73
 Suitable air vent key: e.g. Item no. 2 400 0500 05, see page 72

Air vent



- // Key control via SW 5
- // Conical R 1/8 DIN 2999 thread
- // Nickel-plated brass



Version	Item No.
R 1/8	2 105 1800 01

Technical data

Operating temperature:	up to 130 °C
Operating pressure:	10 bar

Material data

Body / spindle:	nickel-plated brass
-----------------	---------------------

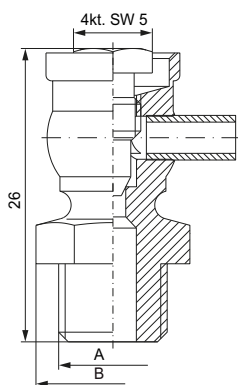
Suitable venting hose: Item no. 2 405 0400 19, see page 73
 Suitable air vent key: e.g. Item no. 2 400 0500 05, see page 72

Venting / Draining valves

Air vent



- // Key control via SW 5
- // With knurled thread
- // Nickel-plated brass



Version A	B	Item No.
G 1/8	SW 12	2 110 1800 01
G 1/4	SW 15	2 110 1400 01
G 3/8	SW 17	2 110 3801 01

Technical data

Operating temperature: up to 130 °C
 Operating pressure: 10 bar

Material data

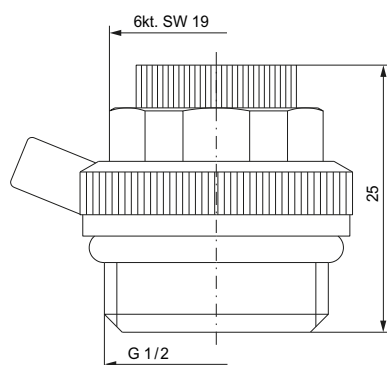
Body: nickel-plated brass

Suitable venting hose: Item no. 2 405 0400 19, see page 73
 Suitable air vent key: e.g. Item no. 2 400 0500 05, see page 72

Automatic venting



- // Automatic venting
- // With expanding washers
- // O-ring sealing
- // With axial-rotating venting
- // Nickel-plated brass



Version	Item No.
G 1/2	2 520 1200 01

Technical data

Operating temperature: up to 115 °C
 Operating pressure: 8,5 bar

Material data

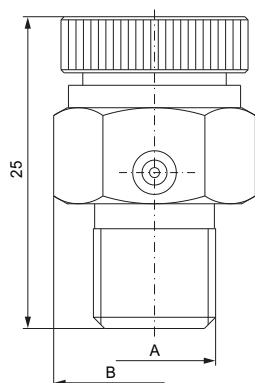
Body / screw: nickel-plated brass
 Moulded seal: EPDM
 Plastic ring: PA

Venting / Draining valves

Automatic venting



- // Automatic venting
- // With expanding washers
- // With knurled thread
- // Nickel-plated brass



Version A	B	Item No.
G 1/8	SW 14	2 120 1800 01
G 1/4	SW 15	2 120 1400 01
G 3/8	SW 17	2 120 3800 01

Technical data

Operating temperature: up to 115 °C
 Operating pressure: 8,5 bar

Material data

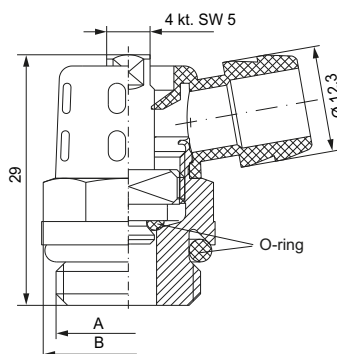
Body / screw: nickel-plated brass

Suitable venting hose: Item no. 2 405 0400 19, see page 73
 Suitable air vent key: e.g. Item no. 2 400 0500 05, see page 72

Outflow valve



- // With axial-rotating water output
- // Key control via SW 5
- // Manufacturer's mark
- // O-ring sealing
- // Nickel-plated brass



Version A	B	Item No.
G 3/8	SW 17	2 540 3800 01
G 1/2	SW 19	2 531 1200 01

Technical data

Operating temperature: up to 130 °C
 Operating pressure: 10 bar

Material data

Body / spindle: nickel-plated brass
 Moulded seal: EPDM
 Plastic cap: PA

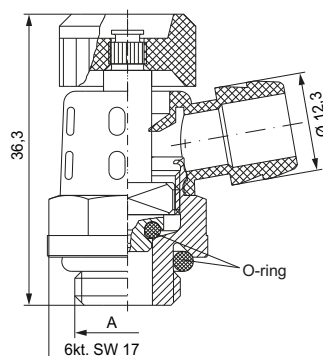
Suitable draining hose: Item no. 2 405 0401 19, see page 73
 Suitable air vent key: e.g. Item no. 2 400 0500 05, see page 72

Venting / Draining valves

Inflow and outflow plugs



- // With axial-rotating water output
- // Handwheel control
- // Manufacturer's mark
- // O-ring sealing
- // Nickel-plated brass



Version	Item No.
A	
G 1/4	2 540 1400 01
G 3/8	2 540 3801 01

Technical data

Operating temperature:	up to 130 °C
Operating pressure:	10 bar

Material data

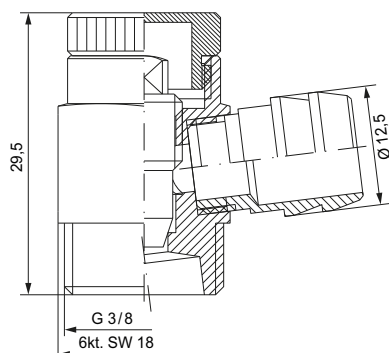
Body / spindle:	nickel-plated brass
Moulded seal:	EPDM
Plastic cap:	PA

Suitable draining hose: Item no. 2 405 0401 19, see page 73

Inflow and outflow plugs



- // With sealing cap and concealed spindle
- // Key control via SW 5
- // With knurled thread
- // Nickel-plated brass



Version	Item No.
G 3/8	2 421 3800 01

Technical data

Operating temperature:	up to 130 °C
Operating pressure:	10 bar

Material data

Body / spindle:	nickel-plated brass
-----------------	---------------------

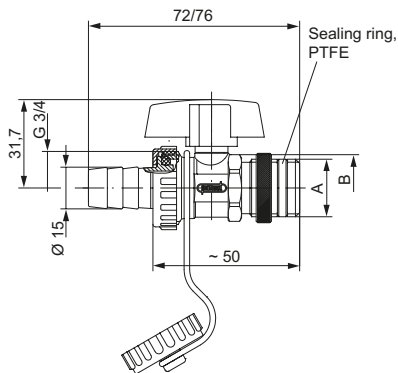
Suitable draining hose: Item no. 2 405 0401 19, see page 73
 Suitable air vent key: e.g. Item no. 2 400 0500 05, see page 72

Venting / Draining valves

FE ball valve



- // With hose nozzle, protective cap, strap and lock nut
- // Self-sealing via PTFE sealing ring
- // Nickel-plated brass



Version A	B	Item No.
G 3/8	SW 21,5	2 947 3800 01
G 1/2	SW 21,5	2 948 1200 01
G 3/4	SW 27	2 947 3400 01

Technical data

Operating temperature:	up to 90 °C
Operating pressure:	10 bar

Material data

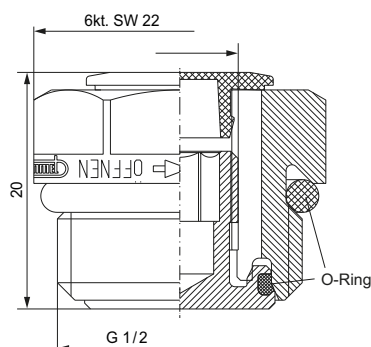
Body / union nut:	nickel-plated brass
Moulded seal:	EPDM / PTFE / Teflon
Handle:	Zinc die casting
Retaining strap:	PE

Venting / Draining valves

Inflow and outflow plug



- // With plastic protective cap
- // Manufacturer's mark
- // Nickel-plated brass
- // O-ring sealing



Version	Item No.
G 1/2	2 580 1201 01

Technical data

Operating temperature:	up to 90 °C
Operating pressure:	10 bar

Material data

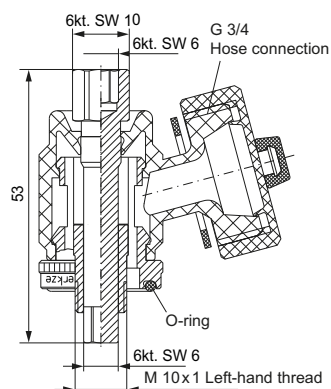
Body:	nickel-plated brass
Moulded seal:	EPDM
Cover cap:	PA

Suitable inflow and outflow apparatus: Item no. 2 584 1001 00, see page 56

Inflow and outflow apparatus



- // With axial-rotating hose connection G 3/4
- // Operable with hex wrench SW 6 or spanner wrench SW 10
- // Manufacturer's mark
- // O-ring sealing
- // Brass blank



Version	Item No.
G 3/4 x G 1/2	2 584 1001 00

Technical data

Operating temperature:	up to 90 °C
Operating pressure:	10 bar

Material data

Body / cap:	PA
Moulded seal:	EPDM
Spindle:	brass blank
Retaining strap:	PE

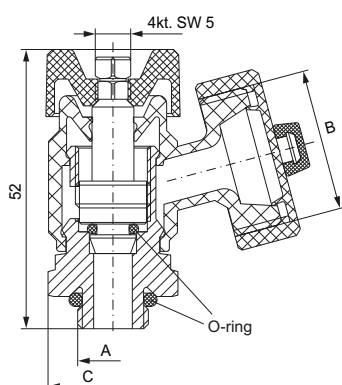
Suitable hose nozzle: Item no. 2 730 3412 03, see page 78
 Suitable to HUMMEL inflow and outflow plug 2 580 1201 01, see page 56

Venting / Draining valves

Outflow fitting SFE valve



- // For washing, filling and emptying the radiator
- // With handwheel and key control via SW 5
- // Axial-rotating hose connection
- // Manufacturer's mark
- // O-ring sealing
- // Brass blank



Version A	B	C	Item No.
G 1/4	G 3/4	SW 22	2 700 1400 00
G 3/8	G 3/4	SW 22	2 700 3800 00
G 1/2	G 3/4	SW 24	2 700 1200 00
G 1/4	G 1/2	SW 22	2 702 1412 00
G 1/2	G 1/2	SW 22	2 702 1212 00

Technical data

Operating temperature: up to 90 °C
 Operating pressure: 10 bar

Material data

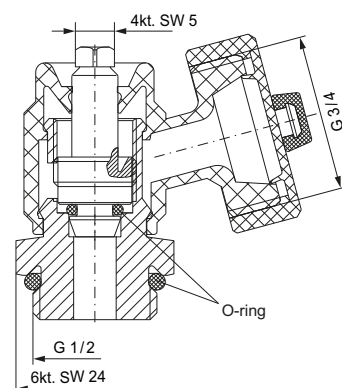
Body / cap: PA
 Moulded seal: EPDM
 Spindle: brass blank
 Retaining strap: PE

Suitable hose nozzle (für 2 700 1400 00, 2 700 3800 00, 2 700 1200 00): e.g. Item no. 2 730 3412 03, see page 78
 Suitable air vent key: e.g. Item no. 2 400 0500 05, see page 72

Outflow fitting SFE valve



- // For washing, filling and emptying the radiator
- // With handwheel and key control via SW 5
- // Axial-rotating hose connection
- // Manufacturer's mark
- // O-ring sealing
- // Brass blank



Version	Item No.
G 1/2 x G 3/4	2 710 1200 00

Technical data

Betriebstemperatur: up to 90 °C
 Operating pressure: 10 bar

Material data

Body / cap: PA
 Moulded seal: EPDM
 Spindle: brass blank
 Retaining strap: PE

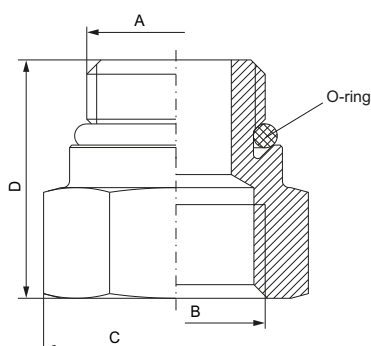
Suitable hose nozzle: Item no. 2 730 3412 03, see page 78
 Suitable air vent key: e.g. Item no. 2 400 0500 05, see page 72

Plugs / Reductions

Adapter



- // O-ring sealing on the external thread
- // Nickel-plated brass



Version				Item No.
A	B	C	D	
G 1/2	G 1/2	SW 27	28	2 550 1212 01
G 1/2	G 3/4	SW 30	31	2 550 1234 01
G 3/4	G 1	SW 36	28,5	2 550 3410 01

Technical data

Operating temperature:	up to 120 °C
Operating pressure:	10 bar

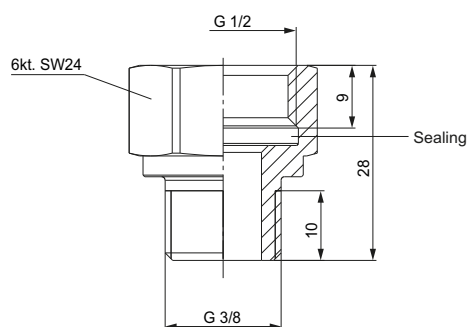
Material data

Body / spindle:	nickel-plated brass
Moulded seal:	EPDM
Plastic cap:	PA

Reduction



- // Reduction with flat EPDM sealing
- // Nickel-plated brass



Version	Item No.
G 1/2 G 3/8	2 549 1238 01

Technical data

Operating temperature:	up to 120 °C
Operating pressure:	10 bar

Material data

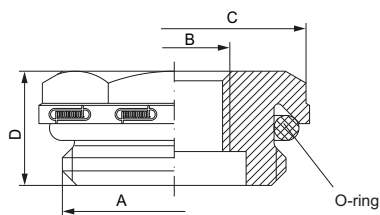
Body:	nickel-plated brass
Moulded seal:	EPDM

Plugs / Reductions

Connection seal



- // O-ring sealing on the external thread
- // Nickel-plated brass



Version				Item No.
A	B	C	D	
G 1/4	G 1/8	SW 22	13,5	2 550 1418 01
G 1/2	G 3/8	SW 22	13	2 550 1238 99
G 3/4	G 1/2	SW 27	14,5	2 550 3412 01
G 1	G 3/8	SW 32	18	2 550 1038 01
G 1	G 1/2	SW 32	18	2 550 1012 01
G 1	G 3/4	SW 32	18	2 550 1034 01
G 1 1/2	G 1/2 right			2 550 4012 01
G 1 1/2	G 1/2 left			2 550 4112 01

Technical data

Operating temperature: up to 120 °C
 Operating pressure: 10 bar

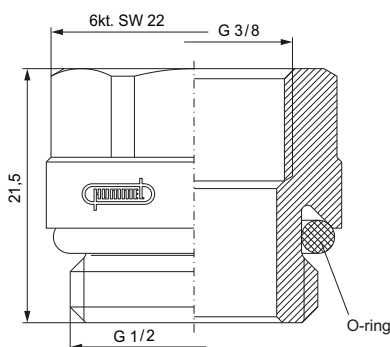
Material data

Body: nickel-plated brass
 Moulded seal: EPDM

Connection seal, reinforced



- // Reinforced version
- // With offset thread
- // O-ring sealing on the external thread
- // Nickel-plated brass



Version		Item No.
G 1/2	G 3/8	2 551 1238 01

Technical data

Operating temperature: up to 120 °C
 Operating pressure: 10 bar

Material data

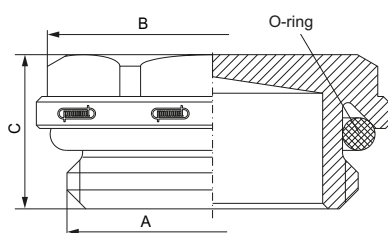
Body: nickel-plated brass
 Moulded seal: EPDM

Plugs / Reductions

Sealing plug



- // O-ring sealing
- // Nickel-plated brass / blank*
- // Special versions available upon request (e.g. polished red bronze for sanitary applications)



Version A	B	C	Item No.
G 1/8	SW 10	11	2 500 1800 01
G 1/4	SW 17	13	2 500 1400 01
G 3/8	SW 19	13,5	2 500 3800 01
G 1/2	SW 22	12,8	2 506 1200 01
G 3/4	SW 27	14	2 500 3400 01
G 1	SW 32	18	2 500 1000 01
G 1/2*	SW 22	12,8	2 506 1200 00

Technische Daten

Operating temperature:	up to 130 °C
Operating pressure:	10 bar

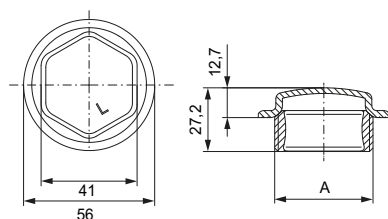
Material data

Body:	nickel-plated brass / blank
Moulded seal:	EPDM

Sealing plug



- // For radiators
- // Flat sealing
- // Steel



Version A	Item No.
G 1 1/4 left thread	2 300 5400 03
G 1 1/4 right thread	2 301 5400 03

Technical data

Operating temperature:	up to 90 °C
Operating pressure:	10 bar

Material data

Body:	Steel
-------	-------

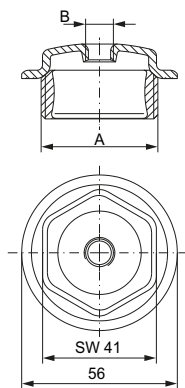
Suitable flat seal: Item no. 2 402 0000 04, see page 62

Plugs / Reductions

Radiator connection plug



- // For radiators
- // Flat sealing
- // Steel



Version		Item No.
G 1 1/4 left	G 3/8	2 350 5438 03
G 1 1/4 right	G 3/8	2 351 5438 03
G 1 1/4 left	G 1/2	2 350 5412 03
G 1 1/4 right	G 1/2	2 351 5412 03
G 1 1/4 left	G 3/4	2 350 5434 03
G 1 1/4 right	G 3/4	2 351 5434 03
G 1 1/4 left	G 1	2 350 5410 03*
G 1 1/4 right	G 1	2 351 5410 03*

Technical data

Operating temperature: up to 90 °C
 Operating pressure: 10 bar

Material data

Body: Steel

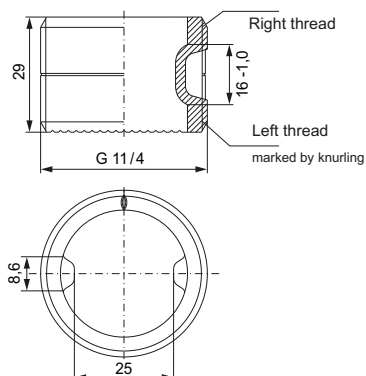
Suitable flat seal: Item no. 2 402 0000 04, see page 80

*discontinued item

Radiator nipple



- // Left-right thread
- // Steel



Version	Item No.
A	
G 1 1/4	2 360 5400 03

Material data

Body: Steel

Flat seal



- // Tesnit BA50
- // Graphitised front and back
- // Suitable sealing for HUMMEL's steel plug program

Version	Item No.
55 x 42 x 1 mm	2 402 0000 04

DESIGNTECHNIK

Designtechnik sets
Designtechnik accessories

▶ 65

▶ 68



Colour & refinement

Fittings of the HUMMEL Designtechnik line consist of form and colour. The noble surfaces turn fittings into true design objects. In addition to the white version, various metallic finishes in matt and high-gloss are also available. Further metallic surfaces and colours can be offered upon request.

white (RAL 9016), No. 90



high gloss chrome-plated, No. 02

nickel-chrome (NC), No. 80



matte-chrome (MC), No. 60

Designtechnik sets

Set 1 corner-type



Image: version high gloss chrome-plated

- // Thermostatic valve
- // Flow at the valve
- // Connection nipple G 1/2 x G 3/4
- // Cone inserts
- // Thermostatic head M 30 x 1,5
- // Collar with 50 mm distance center to center
- // Valve insert convertible when flow and return flow is reversed (upon request)
- // Euro cone compatible

Version	Item No.
high gloss chrome-plated	2 810 0301 02
matte-chrome (MC)	2 810 0301 60
nickel-chrome (NC)	2 810 0301 80
white	2 810 0301 90

Technical data

Operating temperature:	up to 120 °C
Operating pressure:	10 bar
Maximum sensor temperature:	up to 50 °C

Material data

Body / union nut:	brass plated
Moulded seal:	EPDM / Teflon
Connection nipple:	brass blank
Cone insert:	PA
Thermostatic head:	ABS / PA-brass plated
Collar:	ABS

Set 2 straight-type



Image: version nickel-chrome (NC)

- // Thermostatic valve
- // Flow at the valve
- // Connection nipple G 1/2 x G 3/4
- // Cone inserts
- // Thermostatic head M 30 x 1,5
- // Collar with 50 mm distance center to center
- // Valve insert convertible when flow and return flow is reversed (upon request)
- // Euro cone compatible

Version	Item No.
high gloss chrome-plated	2 810 0302 02
matte-chrome (MC)	2 810 0302 60
nickel-chrome (NC)	2 810 0302 80
white	2 810 0302 90

Technical data

Operating temperature:	up to 120 °C
Operating pressure:	10 bar
Maximum sensor temperature:	up to 50 °C

Material data

Body / union nut:	brass plated
Moulded seal:	EPDM / Teflon
Connection nipple:	brass blank
Cone insert:	PA
Thermostatic head:	ABS / PA-brass plated
Collar:	ABS

Designtechnik sets

Set 3 corner-type



Image: version nickel-chrome (MC)

- // Thermostatic valve
- // Lockshield, corner-type
- // Connection nipple G 1/2 x G 3/4
- // Cone inserts
- // Thermostatic head M 30 x 1,5
- // Single collar
- // Euro cone compatible

Version	Item No.
high gloss chrome-plated	2 810 0303 02
matte-chrome (MC)	2 810 0303 60
nickel-chrome (NC)	2 810 0303 80
white	2 810 0303 90

Technical data

Operating temperature:	up to 120 °C
Operating pressure:	10 bar
Maximum sensor temperature:	up to 50 °C

Material data

Body / union nut:	brass plated
Moulded seal:	EPDM / Teflon
Connection nipple:	brass blank
Cone insert:	PA
Thermostatic head:	ABS / PA-brass plated
Collar:	ABS

Set 4 straight-type



Image: version nickel-chrome (MC)

- // Thermostatic valve
- // Lockshield, straight-type
- // Connection nipple G 1/2 x G 3/4
- // Cone inserts
- // Thermostatic head M 30 x 1,5
- // Single collar
- // Euro cone compatible

Version	Item No.
high gloss chrome-plated	2 810 0304 02
matte-chrome (MC)	2 810 0304 60
nickel-chrome (NC)	2 810 0304 80
white	2 810 0304 90

Technical data

Operating temperature:	up to 120 °C
Operating pressure:	10 bar
Maximum sensor temperature:	up to 50 °C

Material data

Body / union nut:	brass plated
Moulded seal:	EPDM / Teflon
Connection nipple:	brass blank
Cone insert:	PA
Thermostatic head:	ABS / PA-brass plated
Collar:	ABS

Designtechnik sets

Set 5 left connection



Image: version high gloss chrome-plated

- // Angle-corner-type thermostatic valve, left
- // Lockshield, corner-type
- // Connection nipple G 1/2 x G 3/4
- // Cone inserts
- // Thermostatic head M 30 x 1,5
- // Single collar
- // Euro cone compatible

Version	Item No.
high gloss chrome-plated	2 810 0305 02
matte-chrome (MC)	2 810 0305 60
nickel-chrome (NC)	2 810 0305 80
weiß	2 810 0305 90

Technical data

Operating temperature:	up to 120 °C
Operating pressure:	10 bar
Maximum sensor temperature:	up to 50 °C

Material data

Body / union nut:	brass plated
Moulded seal:	EPDM / Teflon
Connection nipple:	brass blank
Cone insert:	PA
Thermostatic head:	ABS / PA-brass plated
Collar:	ABS

Set 6 right connection



Image: version white

- // Angle-corner-type thermostatic valve, right
- // Lockshield, corner-type
- // Connection nipple G 1/2 x G 3/4
- // Cone inserts
- // Thermostatic head M 30 x 1,5
- // Single collar
- // Euro cone compatible

Version	Item No.
high gloss chrome-plated	2 810 0306 02
matte-chrome (MC)	2 810 0306 60
nickel-chrome (NC)	2 810 0306 80
white	2 810 0306 90

Technical data

Operating temperature:	up to 120 °C
Operating pressure:	10 bar
Maximum sensor temperature:	up to 50 °C

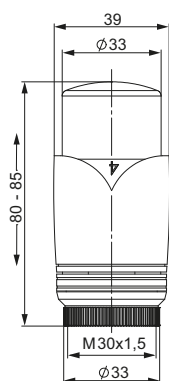
Material data

Body / union nut:	brass plated
Moulded seal:	EPDM / Teflon
Connection nipple:	brass blank
Cone insert:	PA
Thermostatic head:	ABS / PA-brass plated
Collar:	ABS

Thermostatic head M 30 x 1,5 mm



- // Connection thread M 30 x 1,5 mm
- // Liquid sensor
- // Temperature limit
- // Anti-freeze setting



Version	Item No.
high gloss chrome-plated	2 907 3015 02
matte-chrome (MC)	2 907 3015 60
nickel-chrome (NC)	2 907 3015 80
white	2 907 3015 90

Technical data

Adjustment range:	8 – 30 °C
Setpoint range:	1 – 6
Anti-freeze setting:	yes
Setpoint 3:	20 °C
Hysteresis:	0.20 K
Influence of water temperature:	0.3 K
Influence of pressure difference:	0.3 K
Closing time:	≈ 18 min
Maximum sensor temperature:	50 °C

Material data

Thermostatic head:	ABS / PA
Union nut:	brass plated

Air vent and blanking plug



- // A: Air vent and blanking plug G 1/2 set, with protective cap and adjustment aid
- // B: Air vent G 1/2, with protective cap and adjustment aid
- // C: Blanking plug G 1/2 with protective cap

Version	Item No.
A	2 400 0001 ##
B	2 432 1200 ##
C	2 400 1200 ##

Technical data

Operating temperature:	up to 120 °C
Operating pressure:	10 bar

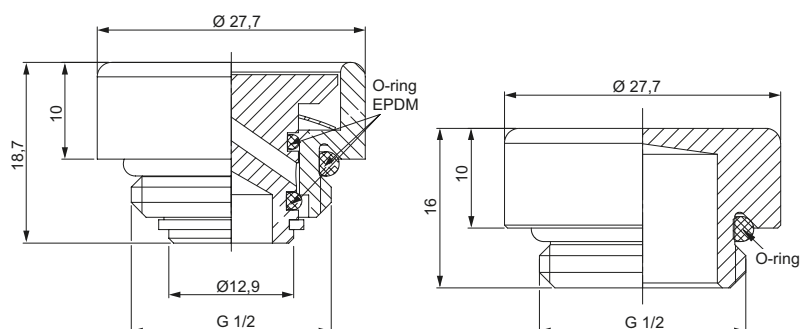
Material data

Body:	brass plated
Moulded seal:	EPDM

Colour

(each item number (##) will be ten digits with the addition of the two-digit colour/finish code)

high gloss chrome-plated:	02
matte-chrome (MC):	60
nickel-chrome (NC):	80
white:	90

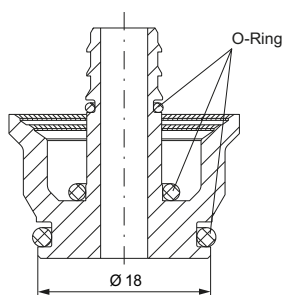
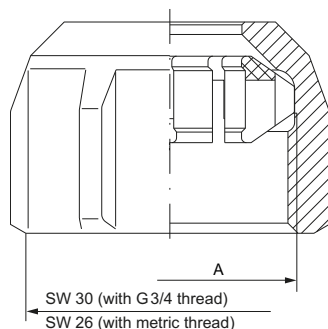


Designtechnik accessories

Compression fitting MKV-K



- // For plastic and multilayer metal pipes
- // With integrated, patented plastic clamp insert
- // With support bushings
- // With connection thread G 3/4
- // Brass
- // Tightening torque of 40 Nm
- // Euro cone compatible
- // In a practical double set



Version	Item No.
16 x 2	2 862 1602 ##
17 x 2	2 862 1702 ##

Technical data

Operating temperature:	up to 120 °C
Operating pressure:	10 bar

Material data

Union nut:	nickel-plated brass
Support sleeve:	brass blank
Clamp ring:	PA
Moulded seal:	EPDM

Colour

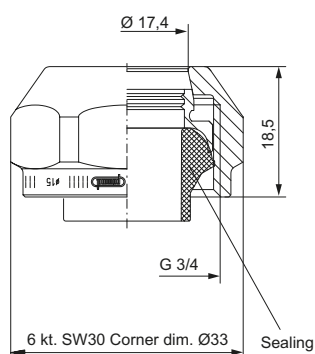
(each item number (##) will be ten digits with the addition of the two-digit colour/finish code)

high gloss chrome-plated:	02
matte-chrome (MC):	60
nickel-chrome (NC):	80
white:	90

Compression fitting



- // For copper, precision steel and stainless steel pipes with a wall thickness ≥ 1 mm according to DIN EN 1057, DIN EN 10305-2 and DIN EN 10312
- // EPDM sealing element
- // With connection thread G 3/4
- // Brass
- // Tightening torque of 40 Nm
- // Euro cone compatible
- // In a practical double set



Version	Item No.
15 mm	2 855 0004 ##

Technical data

Operating temperature:	up to 120 °C
Operating pressure:	10 bar

Material data

Clamp ring:	brass blank
Union nut:	brass plated
Moulded seal:	EPDM / Teflon

Colour

(each item number (##) will be ten digits with the addition of the two-digit colour/finish code)

high gloss chrome-plated:	02
matte-chrome (MC):	60
nickel-chrome (NC):	80
white:	90

Designtechnik accessories

Double collar



- // Trimable for miscellaneous pipe diameters
12 / 15 / 18 / 20 mm
- // 50 mm distance from center to center
- // Made of plastic

Version	Item No.
Made of plastic	2 612 5000 ##

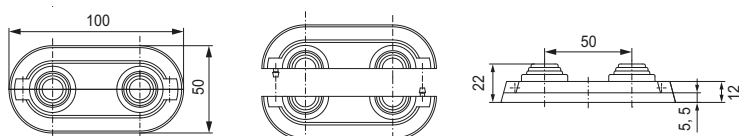
Material data

Body: ABS

Colour

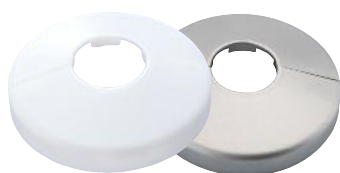
(each item number (##) will be ten digits with the addition of the two-digit colour/finish code)

high gloss chrome-plated:	02
matte-chrome (MC):	60
nickel-chrome (NC):	80
white:	90



More collars: see page 73-75

Single collar



- // Made of plastic

Version	Item No.
15 mm	2 613 5000 ##
16 mm (only available in white and high gloss chrome-plated)	2 613 5001 ##

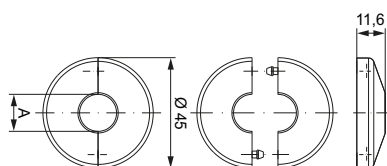
Material data

Body: ABS

Colour

(each item number (##) will be ten digits with the addition of the two-digit colour/finish code)

high gloss chrome-plated:	02
matte-chrome (MC):	60
nickel-chrome (NC):	80
white :	90



More collars: see page 73-75

ACCESSORIES, SPARE PARTS AND TOOLS

Air vent keys
Ventilation / Draining hose
Collars
Cone inserts
Connection nipples
Assembly
Sealing
Hose nozzle
Sealing caps
Spare parts

▶ 72
▶ 73
▶ 73
▶ 75
▶ 76
▶ 77
▶ 78
▶ 78
▶ 79
▶ 80

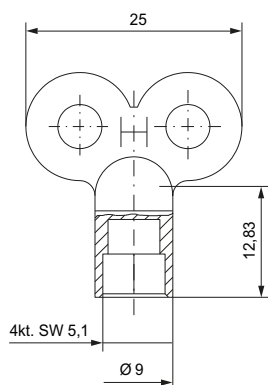


Air vent keys

Air vent key



- // Square SW 5
- // Standard metal version
- // Manufacturer's mark



Version	Item No.
Standard	2 400 0500 05
gold-plated	2 400 0600 05
chrome-plated	2 400 0700 05

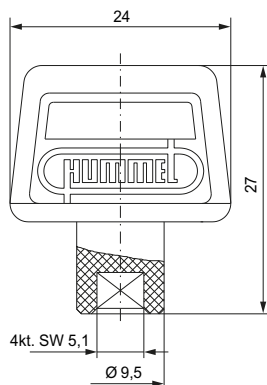
Material data

Body: zinc die casting

Air vent key



- // Square SW 5
- // Manufacturer's mark
- // Plastic version, blue
- // With manufacturer's mark or your logo upon request



Version	Item No.
blue, with HUMMEL Logo	2 410 0500 11

Material data

Body: PA

Ventilation and draining hose / Collars

Ventilation / Draining hose



- // Air vent and outflow valves with hose changeover
- // Minimum length 1 m

Version	Item No.
6 x 1 mm (venting)	2 405 0400 19
14 x 2 mm (outflow)	2 405 0401 19

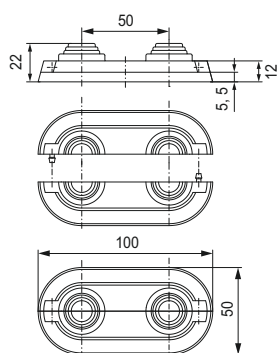
Material data

Hose: PVC

Double Collar



- // For double-connection fittings
- // Can be cut for different pipe diameters
- // 50 mm distance center to center
- // Special colours on request
- // Made of plastic



Version	Item No.
12 / 15 / 18 / 20 mm white	2 612 5000 11
14 / 16 / 17 / 20 mm white	2 612 5001 11
high gloss chrome-plated	2 612 5000 02
matte-chrome (MC)	2 612 5000 60
nickel-chrome (NC)	2 612 5000 80
12 / 15 / 18 / 20 mm RAL 9005 black	2 612 5090 05
12 / 15 / 18 / 20 mm RAL 7016 anthrazit	2 612 5070 16

Material data

Body: ABS

Collars

Double Collar "wooden appearance"

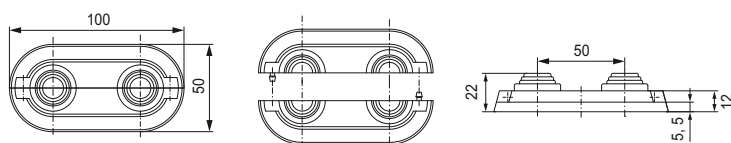


- // For double-connection fittings
- // Made of plastic in different shades of brown
- // Can be cut for different pipe diameters 12, 15, 18, 20 mm
- // 50 mm distance center to center

Version	Item No.
light ivory RAL 1015 (suitable for maple, birch)	2 612 5000 03
beige RAL 1001 (suitable for beech)	2 612 5000 04
ochre brown RAL 8001 (suitable for walnut)	2 612 5000 05

Material data

Body: ABS



Quadruple collar

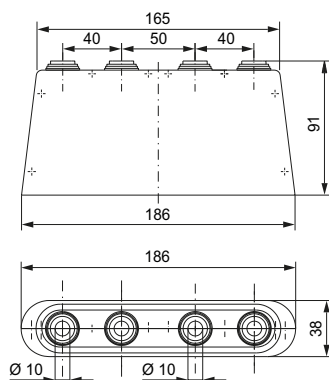


- // For quadruple pipe connection
- // Plastic version, white
- // Can be cut for different pipe diameters
- // 40–50–40 mm distance center to center

Version	Item No.
Pipe dimension 12 – 20 mm	2 612 4050 11

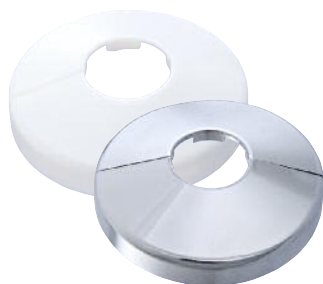
Material data

Body: ABS

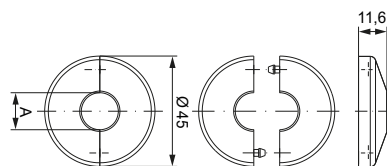


Collars / Cone inserts

Single collar



- // For single-connection fittings
- // Made of plastic
- // Other sizes and colours upon request



Version A	Colour	Item No.
15 mm	white	2 613 5000 90
15 mm	high gloss chrome-plated	2 613 5000 02
15 mm	light ivory RAL 1015 (suitable for maple, birch)	2 613 5000 03
15 mm	beige RAL 1001 (suitable for beech)	2 613 5000 04
15 mm	ochre brown RAL 8001 (suitable for walnut)	2 613 5000 05
15 mm	matte-chrome	2 613 5000 60
15 mm	nickel-chrome	2 613 5000 80
16 mm	white	2 613 5001 90
16 mm	high gloss chrome-plated	2 613 5001 02

Material data

Body: ABS

Cone insert

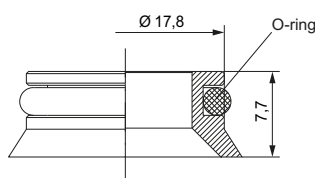


- // For HUMMEL Basis, BasisPLUS and Designtechnik fittings flat-sealing
- // Euro cone compatible

Version	Item No.
100 cone inserts	2 855 3401 00

Material data

Body: PA
Moulded seal: EPDM



Connection nipples

Connection nipple

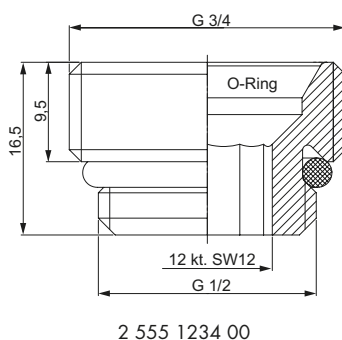
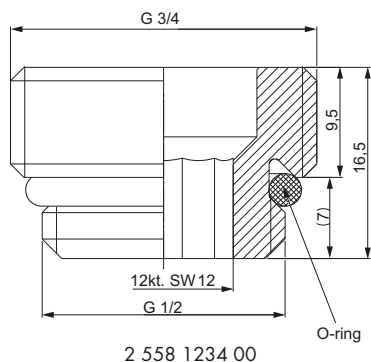


- // Only for HUMMEL fittings
- // O-ring sealing
- // Brass blank

Version	Item No.
G 1/2 x G 3/4 flat-sealing	2 558 1234 00
G 1/2 x G 3/4 conically-sealing (euro cone compatible)	2 555 1234 00

Material data

Body:	brass blank
Moulded seal:	EPDM



Connection nipple

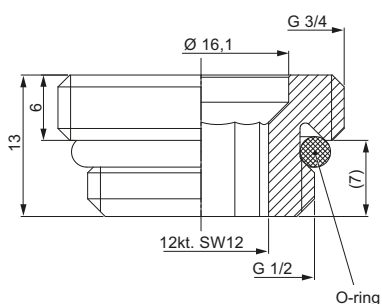


- // Only for HUMMEL Designtechnik
- // O-ring sealing
- // Nickel-plated brass

Version	Item No.
G 1/2 x G 3/4	2 558 1234 01

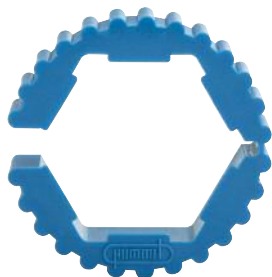
Material data

Body:	nickel-plated brass
Moulded seal:	EPDM

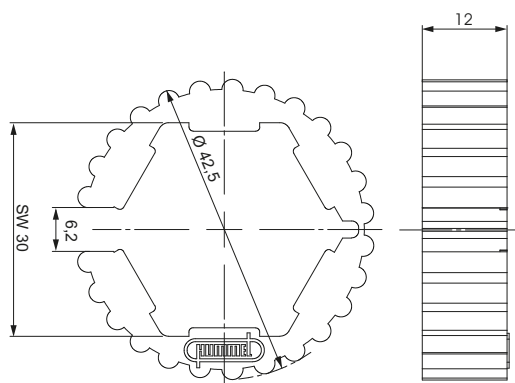


Assembly

Mounting help



- // Mounting help for union nut SW 30 to support, release and tighten
- // Avoids surface damage



Version	Item No.
	2 900 0380 03

Material data

Body: PA

Mounting wrench



- // With fixed adjustment on a torque of 40 Nm
- // Steel version with ergonomic plastic handle

Version	Item No.
SW 30	2 900 0302 03
SW 26	2 900 0303 03

Material data

Body: ABS

Sealing / hose nozzle

Sealing



// For sealing cap G 3/4 of
HUMMEL FE ball valves

Version	Item No.
	2 947 0002 11

Technical data

Operating temperature:	up to 90 °C
Operating pressure:	10 bar

Material data

Moulded seal:	EPDM
---------------	------

Hose nozzle

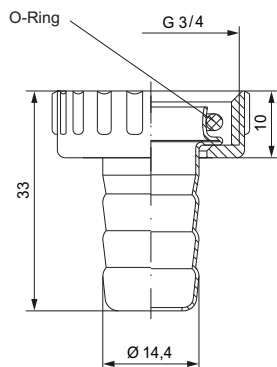


// Suitable for HUMMEL FE and SFE valve
// O-ring sealing
// Made of metal
// For 1/2" hose

Version	Item No.
G 3/4	2 730 3412 03

Material data

Nozzle / union nut:	brass blank
Moulded seal:	EPDM



Sealing cap

Sealing cap



- // For HUMMEL FE ball valves
- // For sealing the ball valve in uncoupled hose nozzle
- // Nickel-plated brass

Version	Item No.
G 3/4	2 947 0001 01

Material data	
Body:	nickel-plated brass

Set cover-caps

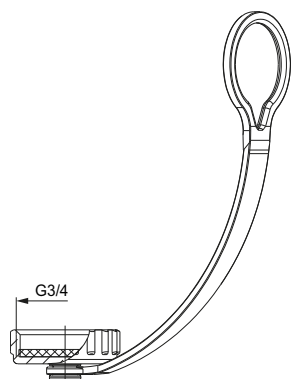


- // Component for FE-ball valve or SFE-valve, metallic version
- // Nickel-plated brass

Version	Item No.
G 3/4	2 810 0279 13

Technical data	
Operating temperature:	up to 90 °C
Operating pressure:	10 bar

Material data	
Body:	nickel-plated brass
Moulded seal:	EPDM
Retaining strap:	PA



Spare parts



Flat sealing for fittings:
Terminal block for two-pipe systems
Terminal block for one-pipe systems
Terminal block drainable
Diverters
TBblock

Item No. DAD5-70B00A



O-ring for cone fittings:
Single connection
Cam
Y-piece

Item No. TAX3-7G1620



Protective cap for thermostatic valve:
M 30 x 1,5 mm, white

Item No. DAK1-1MB30A



Valve insert:
standard thermostatic valves and
angled thermostatic valves / Designtechnik

Item No. DAT1-CVS13A

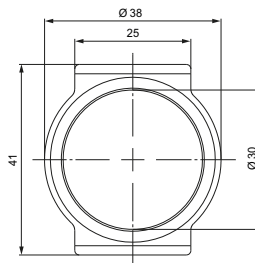


Valve insert:
Designtechnik
Designtechnik flow and return flow reversed

Item No. DAT1-CVS12A
Item No. DAT1-CVS12B



Valve insert:
including connection nipple
for heating distributors
with this cross section:



Item No. DAT1-HKV200



Flow rate controller:
including connection nipple

Item No. DAT1-HKV100

General technical information

Heating parts for drinking water systems are particularly marked in this catalog. Our products are suitable for heating systems of buildings, regardless of the type of heating.

To avoid damage and scale formation, the composition of the heat transfer medium should conform to VDI (The Association of German Engineers) guideline 2035. For industry and district heating plants, the AGFW work sheet FW 510 is to be observed. Mineral oils contained in the heat-transfer medium (alternatively, Neo-Fermit and other lubricants of the type that contain mineral oil) cause swelling and, in most cases, the breakdown of EPDM sealings.

The threads of HUMMEL threaded joints are, unless stated otherwise, manufactured according to DIN EN ISO 228-1. We reserve the right to make technical changes, as well as changes to dimensions and design.

DIN EN 16313

HUMMEL single and double connection fittings comply with required figures of DIN EN 16313. HUMMEL compression fittings also comply with the functional dimensions of DIN EN 16313. By combining a HUMMEL compression fitting with a part from other manufacturers it has to be ensured that this part has been manufactured in compliance with DIN EN 16313.

Assembly instructions

Our assembly instructions are enclosed with our products or available online in our technical center at www.hummel.com. For further requests a personal contact person will be happy to provide you with detailed information.

DIN ISO 9001

HUMMEL supplies certified quality according to DIN ISO 9001 and sets with this high demands towards the own products, as well as towards the suppliers. Only standardized and certified copper alloys of well-known European semi-finished product plants getting used in production.

Numerical Index

Item No.	Page	EAN-Code	Price group	Item No.	Page	EAN-Code	Price group	Item No.	Page	EAN-Code	Price group
2 105 1800 01	51	4033878204924	II	2 256 3435 01	28	4033878200193	I	2 400 0500 05	72	4033878100905	II
2 110 1400 01	52	4033878100028	II	2 256 8412 01	29	4033878200209	I	2 400 0600 05	72	4033878102510	II
2 110 1800 01	52	4033878100035	II	2 256 8413 01	29	4033878200216	I	2 400 0700 05	72	4033878102527	II
2 110 3801 01	52	4033878100042	II	2 256 8434 01	28	4033878200223	I	2 400 0800 02	43	4033878204337	II
2 120 1400 01	53	4033878100165	II	2 256 8435 01	28	4033878200230	I	2 400 0800 90	43	4033878204306	II
2 120 1800 01	53	4033878100172	II	2 257 0001 01	20	4033878200247	II	2 400 1000 02	43	4033878204344	II
2 120 3800 01	53	4033878100189	II	2 257 0002 01	14	4033878200254	I	2 400 1000 90	43	4033878204313	II
2 155 3434 01	17	4033878207024	I	2 257 0003 01	14	4033878200261	I	2 400 1200 02	68	4033878203927	DT
2 218 3435 01	25	4033878205440	I	2 257 0004 01	16	4033878200278	I	2 400 1200 60	68	4033878102565	DT
2 218 3436 01	25	4033878205433	I	2 257 0005 01	16	4033878200292	I	2 400 1200 80	68	4033878102572	DT
2 218 8435 01	25	4033878205464	I	2 257 0008 01	20	4033878200322	II	2 400 1200 90	68	4033878204375	DT
2 218 8436 01	25	4033878205457	I	2 257 0009 01	20	4033878200339	II	2 402 0000 04	62	4033878100936	II
2 219 3435 01	30	4033878205235	II	2 257 0010 01	16	4033878200346	I	2 405 0400 19	73	4033878100943	II
2 219 3435 02	30	4033878205327	II	2 257 0011 01	16	4033878200353	I	2 405 0401 19	73	4033878100950	II
2 219 3435 90	30	4033878205280	II	2 257 0021 01	26	4033878204825	I	2 410 0500 11	72	4033878100967	II
2 219 3436 01	30	4033878205242	II	2 257 0022 01	26	4033878102923	I	2 421 3800 01	54	4033878100974	II
2 219 3436 02	30	4033878205310	II	2 257 0023 01	15	4033878204634	I	2 432 1200 02	68	4033878203941	DT
2 219 3436 90	30	4033878205273	II	2 257 0024 01	15	4033878204641	I	2 432 1200 60	68	4033878102602	DT
2 219 8435 01	30	4033878205259	II	2 257 0026 01	15	4033878204849	I	2 432 1200 80	68	4033878102619	DT
2 219 8435 02	30	4033878205341	II	2 257 0027 01	15	4033878204856	I	2 432 1200 90	68	4033878204368	DT
2 219 8435 90	30	4033878205303	II	2 300 5400 03	60	4033878100684	II	2 500 1000 01	60	4033878101025	II
2 219 8436 01	30	4033878205266	II	2 301 5400 03	60	4033878100691	II	2 500 1400 01	60	4033878101032	II
2 219 8436 02	30	4033878205334	II	2 350 5410 03	61	4033878100745	II	2 500 1800 01	60	4033878101049	II
2 219 8436 90	30	4033878205297	II	2 350 5412 03	61	4033878100752	II	2 500 3400 01	60	4033878101056	II
2 248 3435 01	27	4033878102329	I	2 350 5434 03	61	4033878100783	II	2 500 3800 01	60	4033878101063	II
2 248 3436 01	27	4033878102336	I	2 350 5438 03	61	4033878100790	II	2 506 1200 00	60	4033878101070	II
2 248 8435 01	27	4033878102350	I	2 351 5410 03	61	4033878100806	II	2 506 1200 01	60	4033878101087	II
2 248 8436 01	27	4033878102367	I	2 351 5412 03	61	4033878100813	II	2 506 1201 02	42	4033878104569	II
2 249 3435 01	24	4033878102176	II	2 351 5434 03	61	4033878100844	II	2 506 1201 90	42	4033878104576	II
2 249 3435 02	24	4033878205365	II	2 351 5438 03	61	4033878100851	II	2 520 1200 01	52	4033878101179	II
2 249 3435 90	24	4033878205402	II	2 353 1234 01	12	4033878206904	II	2 531 1200 01	53	4033878101193	II
2 249 3436 01	24	4033878102206	II	2 353 3834 01	12	4033878206911	II	2 531 1400 01	51	4033878101209	II
2 249 3436 02	24	4033878205358	II	2 354 1234 01	12	4033878206928	II	2 532 3800 01	50	4033878101247	II
2 249 3436 90	24	4033878205396	II	2 354 3434 01	12	4033878206935	II	2 535 1800 01	50	4033878101278	II
2 249 8435 01	24	4033878102190	II	2 354 3834 01	12	4033878206942	II	2 536 1201 02	42	4033878104545	II
2 249 8435 02	24	4033878205389	II	2 355 1010 01	13	4033878206959	II	2 536 1201 90	42	4033878104552	II
2 249 8435 90	24	4033878205426	II	2 355 1212 01	13	4033878206966	II	2 537 1200 01	50	4033878101292	II
2 249 8436 01	24	4033878102213	II	2 355 3434 01	13	4033878206973	II	2 540 1400 01	54	4033878103159	II
2 249 8436 02	24	4033878205372	II	2 355 3812 01	13	4033878206980	II	2 540 3800 01	53	4033878101339	II
2 249 8436 90	24	4033878205419	II	2 355 5454 01	13	4033878207321	II	2 540 3801 01	54	4033878101346	II
2 253 3434 00	46	4033878003954	II	2 355 6464 01	13	4033878207338	II	2 549 1238 01	58	4033878106815	II
2 253 3434 01	46	4033878200025	II	2 356 1212 01	14	4033878206997	II	2 549 3412 01	47	4033878106822	II
2 253 3490 01	49	4033878200032	II	2 356 3812 01	14	4033878207000	II	2 550 1012 01	59	4033878101353	II
2 253 3492 01	49	4033878200049	II	2 360 5400 03	61	4033878100899	II	2 550 1034 01	59	4033878101360	II
2 253 3495 01	48	4033878200056	II	2 400 0001 02	68	4033878204382	DT	2 550 1038 01	59	4033878101377	II
2 254 1244 01	47	4033878200094	II	2 400 0001 60	68	4033878102589	DT	2 550 1212 01	58	4033878101391	II
2 254 5834 01	47	4033878206850	II	2 400 0001 80	68	4033878102596	DT	2 550 1234 01	58	4033878101421	II
2 256 1234 01	29	4033878200162	I	2 400 0001 90	68	4033878204351	DT	2 550 1238 99	59	4033878102244	II
2 256 1235 01	29	4033878200179	I	2 400 0002 02	43	4033878204320	II	2 550 1418 01	59	4033878205471	II
2 256 3434 01	28	4033878200186	I	2 400 0002 90	43	4033878204290	II	2 550 3410 01	58	4033878101438	II

Numerical Index

Item No.	Page	EAN-Code	Price group	Item No.	Page	EAN-Code	Price group	Item No.	Page	EAN-Code	Price group
2 550 3412 01	59	4033878101452	II	2 702 1412 00	57	4033878101728	II	2 810 0601 90	41	4033878104897	II
2 550 4012 01	59	4033878105948	II	2 710 1200 00	57	4033878102077	II	2 810 0602 02	41	4033878104880	II
2 550 4112 01	59	4033878105955	II	2 730 3412 03	78	4033878101742	II	2 810 0602 90	41	4033878104903	II
2 551 1238 01	59	4033878101483	II	2 755 1010 00	13	4033878207291	II	2 820 1234 01	21	4033878105511	II
2 552 1234 01	49	4033878200582	II	2 755 1212 00	13	4033878207277	II	2 820 1238 01	21	4033878105504	II
2 554 1234 00	46	4033878200612	II	2 755 3434 00	13	4033878207284	II	2 821 1234 01	21	4033878107737	II
2 554 1234 01	46	4033878200605	II	2 755 5454 00	13	4033878207307	II	2 821 1238 01	21	4033878107720	II
2 554 2234 01	47	4033878200629	II	2 755 6464 00	13	4033878207314	II	2 826 1238 341	21	4033878003046	II
2 555 1234 00	76	4033878204672	I	2 810 0279 13	79	4033878107812	I	2 827 1238 341	21	4033878003053	II
2 555 3434 01	19	4033878102114	I	2 810 0286 12	5	4033878103852	I	2 828 1238 341	21	4033878002285	II
2 556 3412 01	17	4033878105962	I	2 810 0301 02	65	4033878103869	DT	2 829 1238 341	21	4033878002292	II
2 556 3422 01	17	4033878102107	I	2 810 0301 60	65	4033878103876	DT	2 855 0001 01	45	4033878200940	I
2 556 3434 01	17	4033878102091	I	2 810 0301 80	65	4033878103883	DT	2 855 0002 01	45	4033878200957	I
2 558 1234 00	76	4033878204467	I	2 810 0301 90	65	4033878103890	DT	2 855 0003 01	45	4033878200964	I
2 558 1234 01	76	4033878204191	DT	2 810 0302 02	65	4033878103906	DT	2 855 0004 02	69	4033878102459	DT
2 559 1200 01	18	4033878204955	I	2 810 0302 60	65	4033878103913	DT	2 855 0004 60	69	4033878103258	DT
2 559 3400 01	18	4033878204962	I	2 810 0302 80	65	4033878103920	DT	2 855 0004 80	69	4033878103265	DT
2 559 3412 01	19	4033878204474	I	2 810 0302 90	65	4033878103937	DT	2 855 0004 90	69	4033878102466	DT
2 559 3434 01	18	4033878205143	I	2 810 0303 02	66	4033878103944	DT	2 855 0015 01	44	4033878205051	I
2 559 3435 01	18	4033878205167	I	2 810 0303 60	66	4033878103951	DT	2 855 0015 02	44	4033878104521	II
2 559 3436 01	18	4033878205150	I	2 810 0303 80	66	4033878103968	DT	2 855 0015 90	44	4033878104538	II
2 559 3438 01	19	4033878204481	I	2 810 0303 90	66	4033878103975	DT	2 855 3401 00	75	4033878102442	II
2 559 3800 01	18	4033878204979	I	2 810 0304 02	66	4033878103982	DT	2 859 3435 01	18	4033878205174	I
2 580 1201 01	56	4033878101674	II	2 810 0304 60	66	4033878103999	DT	2 862 1202 01	45	4033878201053	I
2 584 1001 00	56	4033878200667	I	2 810 0304 80	66	4033878104002	DT	2 862 1402 01	45	4033878201060	I
2 612 4050 11	74	4033878201428	I	2 810 0304 90	66	4033878104019	DT	2 862 1602 01	45	4033878201077	I
2 612 5000 02	43, 70, 73	4033878103821	DT	2 810 0305 02	67	4033878104026	DT	2 862 1602 02	69	4033878204221	DT
2 612 5000 03	74	4033878204498	DT	2 810 0305 60	67	4033878104033	DT	2 862 1602 60	69	4033878104101	DT
2 612 5000 04	74	4033878204504	DT	2 810 0305 80	67	4033878104040	DT	2 862 1602 80	69	4033878104118	DT
2 612 5000 05	74	4033878204511	DT	2 810 0305 90	67	4033878104057	DT	2 862 1602 90	69	4033878204214	DT
2 612 5000 11	43, 73	4033878200827	I	2 810 0306 02	67	4033878104064	DT	2 862 1618 01	45	4033878107065	I
2 612 5000 60	70, 73	4033878103838	DT	2 810 0306 60	67	4033878104071	DT	2 862 1622 01	45	4033878201459	I
2 612 5000 80	70, 73	4033878103845	DT	2 810 0306 80	67	4033878104088	DT	2 862 1702 01	45	4033878201084	I
2 612 5000 90	70	4033878204986	DT	2 810 0306 90	67	4033878104095	DT	2 862 1702 02	69	4033878204269	DT
2 612 5001 11	43, 73	4033878200834	I	2 810 0320 12	4	4033878204443	I	2 862 1702 60	69	4033878104149	DT
2 612 5070 16	73	4033878107638	I	2 810 0320 15	6	4033878107058	II	2 862 1702 80	69	4033878104156	DT
2 612 5090 05	73	4033878107645	I	2 810 0320 20	7	4033878107058	II	2 862 1702 90	69	4033878204252	DT
2 613 5000 02	70, 75	4033878204542	DT	2 810 0401 02	38	4033878104750	II	2 862 1725 01	45	4033878201091	I
2 613 5000 03	75	4033878204559	DT	2 810 0401 90	38	4033878104651	II	2 862 1802 01	45	4033878201107	I
2 613 5000 04	75	4033878204566	DT	2 810 0402 02	38	4033878104767	II	2 862 2002 01	45	4033878201114	I
2 613 5000 05	75	4033878204573	DT	2 810 0402 90	38	4033878104668	II	2 862 2025 01	45	4033878201121	I
2 613 5000 60	70, 75	4033878204580	DT	2 810 0405 02	39	4033878104798	II	2 862 2029 01	45	4033878201473	I
2 613 5000 80	70, 75	4033878204597	DT	2 810 0405 90	39	4033878104699	II	2 900 0302 03	77	4033878201190	I
2 613 5000 90	70, 75	4033878204603	DT	2 810 0406 02	39	4033878104804	II	2 900 0303 03	77	4033878201206	I
2 613 5001 02	70, 75	4033878204610	DT	2 810 0406 90	39	4033878104705	II	2 904 1200 01	32	4033878105405	I
2 613 5001 90	70, 75	4033878204627	DT	2 810 0501 02	40	4033878104835	II	2 904 1234 01	31	4033878205501	II
2 700 1200 00	57	4033878101681	II	2 810 0501 90	40	4033878104859	II	2 904 1234 02	31	4033878205518	II
2 700 1400 00	57	4033878101698	II	2 810 0502 02	40	4033878104842	II	2 904 1234 90	31	4033878205525	II
2 700 3800 00	57	4033878101704	II	2 810 0502 90	40	4033878104866	II	2 904 3400 01	32	4033878204795	II
2 702 1212 00	57	4033878101711	II	2 810 0601 02	41	4033878104873	II				

Numerical Index

Item No.	Page	EAN-Code	Price group	Item No.	Page	EAN-Code	Price group	Item No.	Page	EAN-Code	Price group
2 904 3800 01	32	4033878204788	II	2 914 1234 02	31	4033878205563	II	2 925 1234 01	35	4033878205679	II
2 905 1200 01	34	4033878101766	II	2 914 1234 90	31	4033878205570	II	2 925 1234 02	35	4033878205686	II
2 905 3400 01	34	4033878101773	II	2 914 3400 01	32	4033878204801	II	2 925 1234 90	35	4033878205693	II
2 905 3800 01	34	4033878101780	II	2 914 3800 01	32	4033878204818	II	2 947 0001 01	79	4033878101926	II
2 907 0001 90	36	4033878104590	II	2 915 1200 01	34	4033878101834	II	2 947 0002 11	78	4033878101933	II
2 907 3015 02	36, 68	4033878204184	DT	2 915 3400 01	34	4033878101841	II	2 947 3400 01	55	4033878101988	II
2 907 3015 60	36, 68	4033878104187	DT	2 915 3800 01	34	4033878101858	II	2 947 3800 01	55	4033878102053	II
2 907 3015 80	36, 68	4033878103333	DT	2 920 1234 01	35	4033878205587	II	2 948 1200 01	55	4033878102022	II
2 907 3015 90	36, 68	4033878204177	DT	2 920 1234 02	35	4033878205594	II	DAD5-70B00A	80	4033878107843	I
2 907 3018 02	37	4033878204832	II	2 920 1234 90	35	4033878205600	II	DAK1-1MB30A	80	4033878107867	I
2 907 3018 90	37	4033878102640	II	2 922 1234 01	33	4033878205617	II	DAT1-CVS12A	80	4033878107874	I
2 907 3118 02	37	4033878205068	II	2 922 1234 02	33	4033878205624	II	DAT1-CVS12B	80	4033878105436	I
2 907 3118 90	37	4033878205075	II	2 922 1234 90	33	4033878205631	II	DAT1-CVS13A	80	4033878107881	I
2 908 3412 01	48	4033878101827	II	2 923 1234 01	33	4033878205648	II	DAT1-HKV100	80	4033878107904	I
2 914 1200 01	32	4033878102886	II	2 923 1234 02	33	4033878205655	II	DAT1-HKV200	80	4033878107898	I
2 914 1234 01	31	4033878205556	II	2 923 1234 90	33	4033878205662	II	TAX3-7G1620	80	4033878107850	I

Terms of sale and delivery

Our current terms and conditions of sale and delivery apply. We will gladly send them to you by separate mail. You will also find them on our website www.hummel.com.

Exemption from liability

Illustrations are non-binding, in particular with regard to the version, size and colour of the products. We reserve the right to make technical changes, as well as changes to dimensions and design. We reserve the right, without previous notice, to make appropriate and reasonable changes that serve technical progress, even to products that have already been ordered. The details and technical data contained in the catalogues, brochures and other written documentation, as well as on electronic storage media, or, for example, in drawings, sketches and proposals, should be checked by engineers or ordering parties. No claims whatsoever can be raised against HUMMEL AG because of these documents or from additional consulting services. Errors and omissions in this catalogue are the result of printer's errors and give no entitlement to reductions or anything else. No responsibility is taken for the correctness of this information.

Imprint

Graphics and layout:

HUMMEL AG, Marketing & Communications, Lise-Meitner-Str. 2, 79211 Denzlingen, Germany, Tel. +49 (0) 76 66 9 11 10-0, Fax +49 (0) 76 66 9 11 10-20, info@hummel.com

Print:

Druckerei Furtwängler GmbH, 79211 Denzlingen, Germany, Tel. +49 (0) 76 66 / 13 31. Printed on recycled paper in July 2019.

Europe

HUMMEL France

HUMMEL CONNECTEURS SAS

ZI - Rue de l'Acqueline
51800 Sainte Ménéhould / France

Tel. +33 (0) 3 89 / 55 37 20
Fax +33 (0) 3 89 / 53 80 27
E-Mail info.fr@hummel.com
www.hummel.com

HUMMEL UK

HUMMEL UK Limited

Office 3, Momentum House
Enterprise Way, Lowton St Marys,
Warrington, Cheshire, WA3 2BP
United Kingdom

Tel. +44 (0) 19 42 / 60 56 95
Fax +44 (0) 19 42 / 26 93 24
E-Mail info.uk@hummel.com
www.hummel.com

HUMMEL Italy

HUMMEL S.r.l.

Via Enrico Fermi 61
10091 Alpignano (Torino) / Italy

Tel. +39 (0) 11 / 9 68 26 38
Fax +39 (0) 11 / 9 78 55 50
E-Mail info.it@hummel.com
www.hummel.com

HUMMEL Poland

HUMMEL Sales Office Poland

Al. 23 Stycznia 26 lok. 20
86-300 Grudziadz / Poland

Tel. +48 (0) 6 62 / 38 27 99
Fax +48 (0) 56 / 6 43 00 11
E-Mail info.pl@hummel.com
www.hummel.com

HUMMEL Russia

OOO HUMMEL

Ul. Retschnikov 21, Strojenije 1
115142 Moskau / Russia

Tel. +7 (0) 4 99 / 7 82 40 68
Fax +7 (0) 4 99 / 6 14 67 40
E-Mail info.ru@hummel.com
www.hummel-russia.ru

HUMMEL Scandinavia

HUMMEL Connector Systems AB

Tel. +46 (0) 73 / 8 00 12 00
E-Mail info.se@hummel.com
www.hummel.com

Asia

HUMMEL China

HUMMEL Connector Systems (Shanghai) Co., Ltd.

Room 1701 Central Plaza
No.227 Huang Pi (N) Road
200003 Shanghai / P.R. China

Tel. +86 (0) 21 / 63 75 85 51
Fax +86 (0) 21 / 63 75 85 53
E-Mail info.hcs.cn@hummel.com
www.hummel.com

HUMMEL India

HUMMEL Connector Systems Price Limited

307, Surya Kiran Building
19 Kasturba Gandhi Marg
New Delhi - 110001 / India

Tel. +91 (0) 11 / 43 00 75-21 / -23
Fax +91 (0) 11 / 43 00 75-22
E-Mail info.in@hummel.com
www.hummel.com

HUMMEL South Korea

HUMMEL AG KOREA Co., Ltd.

#628 Ssangyong Platinum River
659, Olympic-ro, Gangdong-gu
Seoul, 05248 / Korea

Tel. +82 (0) 2 / 4 70 27 62
Fax +82 (0) 2 / 4 70 27 63
E-Mail info.kr@hummel.com
www.hummel.com

South America

HUMMEL Brazil

HUMMEL Connector Systems Ltda.

Rua Derville Gabriel Pereira, 280
Barro Preto - Centro Empresarial Tatui I
CEP 18280-614 - Tatui / SP / Brazil

Tel. +55 (0) 15 / 33 22 70 00
Fax +55 (0) 15 / 33 22 70 26
E-Mail vendas@hummel.com.br
www.hummel.com.br



HUMMEL INTERNATIONAL



PRODUCT RANGE HEATING EQUIPMENT

Problem solvers

Steel pipe adapter, flexible hose connections, telescopic connection, cams, diverters



Fittings

Terminal blocks, air vents, compression fittings, thermostatic valves



Designtechnik

Thermostatic heads, collars, Designtechnik sets, high gloss chrome-plated, nickel-chrome



www.hummel.com



HUMMEL AG
Lise-Meitner-Straße 2
79211 Denzlingen
Germany
www.hummel.com

Tel. +49 (0) 76 66 / 9 11 10-0
Fax +49 (0) 76 66 / 9 11 10-20
E-Mail info@hummel.com



X-ON Electronics

Largest Supplier of Electrical and Electronic Components

Click to view similar products for [Mounting Fixings](#) category:

Click to view products by [Hummel](#) manufacturer:

Other Similar products are found below :

[007541](#) [627](#) [M3783-7001](#) [7717-8DAP](#) [FPK-02-R10](#) [PMS27488-001-01](#) [1-18023-0](#) [H-118-2](#) [DB1](#) [1302030464](#) [1302010957](#) [1302263564](#)
[1302340393](#) [1404-0016-78](#) [14540](#) [1566](#) [1566](#) [BR16A](#) [NT20SATT01](#) [22594-8](#) [KBB-141](#) [915060](#) [SF4011-60101](#) [97-CS-50](#) [1671](#) [1855-54](#)
[T-2085-SP](#) [20800240002](#) [21899-4](#) [2193](#) [2518](#) [25745-1](#) [H-118-1](#) [354467](#) [37184](#) [4658](#) [4665](#) [4731](#) [BRACKET-RA-30](#) [5500083](#)
[HS5659MB98SN](#) [561-T001](#) [4222522019-542](#) [LF9Z-1SB22](#) [4601463120-542](#) [4674](#) [100101850001](#) [EN3155-015F2020](#) [WMLX-109](#) [374170](#)