



Electric Components > Products > Circular connectors > M12 Power > M12 Power housing > M12 Power panel connector > [M12 Power panel connector](#)

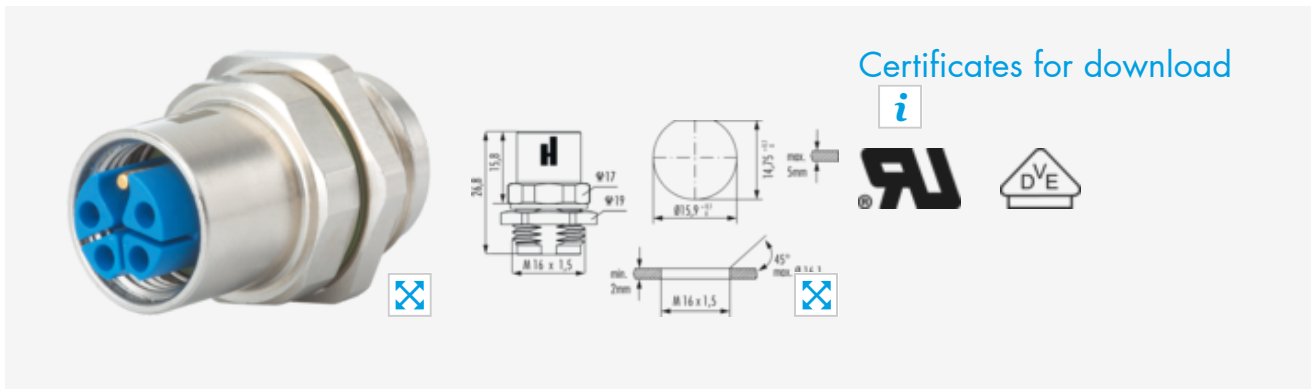
## A712-7K4400000G M12 Power panel connector

<b>Coding</b>	K, L
<b>Drill form</b>	D 14,75 + 0,1, D Ø 15,9 + 0,1 mm
<b>Installation type</b>	Front wall, Single hole mounting
<b>Material housing</b>	Copper-Zinc alloy
<b>Material housing surface</b>	Nickel
<b>Material seals/o-rings</b>	FKM (FPM)
<b>Protection class</b>	IP 67, IP 69 K
<b>Seal type</b>	Seal
<b>Temperature range</b>	-40°C to +125°C
<b>Wall thickness</b>	max. 5 mm

- // Housing without contact inserts
- // Electrical data depend on the contact insert
- // [M12 Power Inserts](#)
- // [M12 Power Contacts](#)
- // [M12 Power Accessories](#)
- // You can find further information in the [Technology Center](#)

### Additional information

- // [Assembly instruction M12 Power panel connector - K, L](#)
- // [Note on storage of articles with elastomer components \(circular connectors\)](#)



## X-ON Electronics

Largest Supplier of Electrical and Electronic Components

*Click to view similar products for [Hummel](#) manufacturer:*

Other Similar products are found below :

[1.022.1600.50](#) [1.022.2000.50](#) [1.022.3200.50](#) [1.033.0709.01](#) [1.033.0911.01](#) [1.033.0913.01](#) [1.033.1113.01](#) [1.033.1116.01](#) [1.033.1216.50](#)  
[1.033.2025.50](#) [1.033.2129.01](#) [1.033.2532.50](#) [1.033.2936.01](#) [1.033.3240.50](#) [1.033.4050.50](#) [1.039.1320.01](#) [1.039.1609.01](#) [1.039.2011.01](#)  
[1.039.2013.01](#) [1.039.2516.01](#) [1.039.2521.01](#) [1.052.0700.01](#) [1.052.0701.01](#) [1.052.0900.01](#) [1.052.0901.01](#) [1.052.1101.01](#) [1.052.1200.50](#)  
[1.052.1600.01](#) [1.052.1600.50](#) [1.052.1601.50](#) [1.052.2000.50](#) [1.052.2001.50](#) [1.052.2100.01](#) [1.052.2500.50](#) [1.052.2501.50](#) [1.052.2900.01](#)  
[1.052.3201.50](#) [1.052.4000.50](#) [1.071.1107.01](#) [1.071.1109.01](#) [1.071.1311.01](#) [1.071.1609.01](#) [1.071.1611.01](#) [1.071.2111.01](#) [1.071.2113.01](#)  
[1.071.2116.01](#) [1.071.2916.01](#) [1.071.2921.01](#) [1.071.3621.01](#) [1.071.3629.01](#)