



## DESCRIPTION

The MAX3485EESA is a low power half duplex transceiver that meets the specifications of RS-485 and RS-422. IC contains one driver and one receiver. The driver slew rates is not limited, allowing them to transmit up to 10Mbps. These transceivers draw between 120 $\mu$ A and 500 $\mu$ A of supply current when unloaded or fully loaded with disabled drivers. All parts operate from a single 3.3V supply. Drivers are short-circuit current limited and are protected against excessive power dissipation by thermal shutdown circuitry that places the driver outputs into a high-impedance state. The receiver input has a fail-safe feature that guarantees a logic-high output if the input is open circuit. The ESD tolerance is more than  $\pm 8$ kV for both Human Body Model and  $\pm 15$ kV for IEC61000-4-2 Air Discharge Method on this device.

## FEATURES

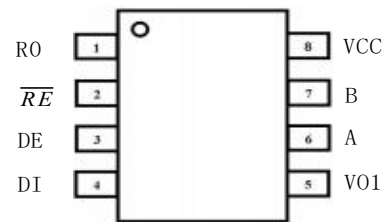
- Operates from a Single 3.3V Supply
- Interoperable with +5.0V Logic
- -7V to 12V Common-Mode Input Voltage Range
- Three-State Outputs
- Driver/ Receiver Enable
- Half-Duplex Communication
- 1/8 Unit Load Allows Up To 256 Devices On The Bus
- Data Rate up to 10 Mbps
- Current-Limiting and Thermal Shutdown for Driver Overload Protection
- ESD Specifications
  - $\pm 15$ kV IEC61000-4-2 Air Discharge
  - $\pm 8$ kV Human Body Model

## PIN CONFIGURATION



Pin 1

SOP-8



## APPLICATIONS

- Low Power RS-485 Systems
- Telecommunications
- Packet Switching
- Industrial-Control Local Area Networks
- Data Concentration
- Data Multiplexers
- Integrated Services Digital Network (ISDN)



## PIN DESCRIPTION

Pin No.	Pin Name	Pin Function
1	RO	Receiver Output
2	$\overline{RE}$	Receiver Output Enable. Active Low
3	DE	Driver Output Enable. Active High
4	DI	Driver Input
5	GND	Ground
6	A	Non-Inverting Driver Output/ Non-Inverting Receiver Input
7	B	Inverting Driver Output/ Inverting Receiver Input
8	VCC	Power Supply

## ABSOLUTE MAXIMUM RATINGS <sup>(Note 1)</sup>

CHARACTERISTIC	SYMBOL	MIN.	MAX.	UNIT
Supply Voltage	$V_{CC}$	-0.3	6.0	V
Control Input Voltage	$V_{RE}, V_{DE}$	-0.3	6.0	V
Driver Input Voltage	$V_{DI}$	-0.3	6.0	V
Driver Output Voltage	$V_A, V_B$	-15	15	V
Receiver Input Voltage	$V_A, V_B$	-15	15	V
Receiver Output Voltage	$V_{RO}$	-0.3	$V_{CC} + 0.3$	V
Junction Temperature Range	$T_J$	-40	125	°C
Storage Temperature Range	$T_{STG}$	-65	150	°C

Note 1. Stresses beyond those listed under *Absolute Maximum Ratings* may cause permanent damage to the device. These are stress ratings only and functional operation of the device at these or any other conditions beyond those indicated under *Recommended Operating Conditions* is not implied. Exposure to absolute-maximum-rated conditions for extended periods may affect device reliability.

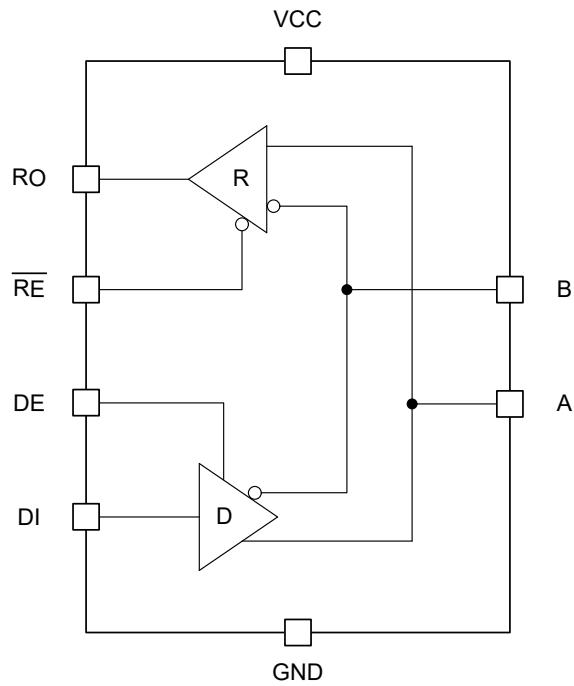
## RECOMMENDED OPERATING CONDITIONS <sup>(Note 2)</sup>

CHARACTERISTIC	SYMBOL	MIN.	MAX.	UNIT
Supply Voltage	$V_{CC}$	0	$3.3 \pm 5\%$	V
Ambient Temperature Range	$T_A$	-40	85	°C

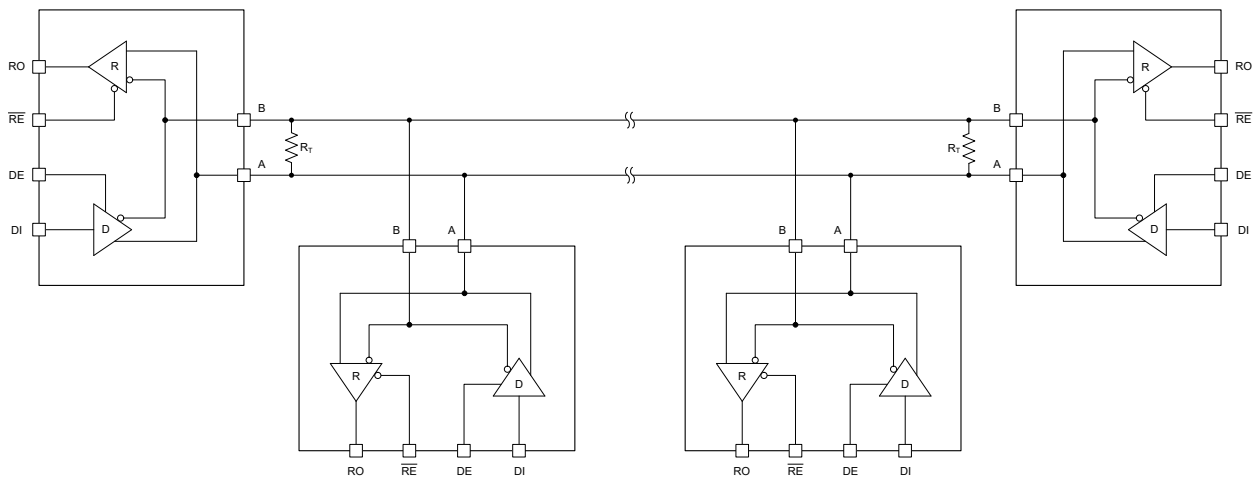
Note 2. The device is not guaranteed to function outside its operating ratings.



## BLOCK DIAGRAM



## TYPICAL APPLICATION



< Typical RS-485 Network with Half-Duplex Transceivers >



## DC ELECTRICAL CHARACTERISTICS

$V_{CC} = 3.3V$ ,  $T_A = 25^\circ C$ , unless otherwise noted.

PARAMETER	SYMBOL	TEST CONDITIONS	MIN	TYP	MAX	UNIT	
Differential Output Voltage	$V_{OD}$	Unloaded, $R_L = \infty$ , Figure 1	GND	-	$V_{CC}$	V	
		With Load, $R_L = 50\Omega$ (RS-422), Figure 1	1	-	$V_{CC}$		
		With Load, $R_L = 27\Omega$ (RS-485), Figure 1	0.6	-	$V_{CC}$		
Change in Magnitude of Driver Differential Output Voltage for Complimentary States (NOTE 3)	$\Delta V_{OD}$	$R_L = 27\Omega$ or $R_L = 50\Omega$ , Figure 1	-	-	0.2	V	
Driver Common- Mode Output Voltage	$V_{OC}$	$R_L = 27\Omega$ or $R_L = 50\Omega$ , Figure 1	-	-	3.0	V	
Input High Voltage	$V_{IH}$	DE, DI, $\overline{RE}$	2.0	-	-	V	
Input Low Voltage	$V_{IL}$	DE, DI, $\overline{RE}$	-	-	0.6	V	
Logic Input Current	$I_{IN1}$	DE, DI, $\overline{RE}$	-	-	$\pm 10$	$\mu A$	
Driver Short-Circuit Output Current	$I_{OSD}$	$V_{OUT} = \text{High or Low, } -7V \leq V_{OUT} \leq 12V$	-	-	$\pm 250$	mA	
Receiver Differential Input Threshold	$V_{TH}$	$-7V \leq V_{CM} \leq 12V$	-0.2	-	0.2	V	
Receiver Input Hysteresis	$\Delta V_{TH}$	$V_{CM} = 0V$	-	20	-	mV	
Receiver Output High Voltage	$V_{OH}$	$I_{OUT} = -1.5mA$ , $V_{ID} = 200mV$ , Figure 2	$V_{CC}-0.4$	-	-	V	
Receiver Output Low Voltage	$V_{OL}$	$I_{OUT} = 2.5mA$ , $V_{ID} = 200mV$ , Figure 2	-	-	0.4	V	
Three-State (High Impedance) Output Current at Receiver	$I_{OZR}$	$0 \leq V_{OUT} \leq V_{CC}$ , $\overline{RE} = V_{CC}$	-	-	$\pm 1.0$	$\mu A$	
Receiver Input Resistance	$R_{IN}$	$-7V \leq V_{CM} \leq 12V$	12	15	-	k $\Omega$	
Receiver Input Current (A, B)	$I_{IN2}$	DE = 0V, $V_{CC} = 0V$ or 3.5V	$V_{IN} = 12V$	-	-	1.0	mA
			$V_{IN} = -7V$	-	-	-0.8	mA
Receiver Short Circuit Output Current	$I_{OSR}$	$0V \leq V_{OUTR} \leq V_{CC}$	7	-	60	mA	
Supply Current	$I_{CC}$	No Load, DI = 0V or $V_{CC}$	DE = $V_{CC}$ , $\overline{RE} = 0V$ or $V_{CC}$	-	425	2000	$\mu A$
			DE = 0V, $\overline{RE} = 0V$	-	300	1500	

Note 3.  $\Delta V_{OD}$  and  $\Delta V_{OC}$  are the changes in  $V_{OD}$  and  $V_{OC}$ , respectively, when the DI input changes state.



## AC ELECTRICAL CHARACTERISTICS

$V_{CC} = 3.3V$ ,  $T_A = 25^{\circ}C$ , unless otherwise noted.

PARAMETER	SYMBOL	TEST CONDITIONS	MIN	TYP	MAX	UNIT
Maximum Data Rate		$DE = \overline{RE} = V_{CC}$ or 0V	10	-	-	Mbps
Driver Differential Output Transition Time	$t_{TD}$	Figure 3	-	5	20	ns
Driver Input to Output Propagation Delay, Low-to-High Level	$t_{PLH}$	Figure 4	-	17	60	ns
Driver Input to Output Propagation Delay, High-to-Low Level	$t_{PHL}$	Figure 4	-	17	60	ns
Driver Propagation Delay Skew	$t_{SKEW}$	Figure 4, $ t_{PLH} - t_{PHL} $	-	2	10	ns
Driver Output Enable Time to High	$t_{PZH}$	Figure 5	-	35	120	ns
Driver Output Enable Time to Low	$t_{PZL}$	Figure 6	-	30	120	ns
Driver Output Disable Time from High	$t_{PHZ}$	Figure 5	-	20	120	ns
Driver Output Disable Time from Low	$t_{PLZ}$	Figure 6	-	20	120	ns
Receiver Input to Output Propagation Delay, Low-to-High Level	$t_{RPLH}$	Figure 7	-	40	100	ns
Receiver Input to Output Propagation Delay, High-to-Low Level	$t_{RPHL}$	Figure 7	-	35	100	ns
Differential Receiver Propagation Delay Skew	$t_{RSKEW}$	Figure 7, $ t_{RPLH} - t_{RPHL} $	-	4	-	ns
Receiver Output Enable Time to Low	$t_{PRZL}$	Figure 8	-	10	60	ns
Receiver Output Enable Time to High	$t_{PRZH}$	Figure 8	-	10	60	ns
Receiver Output Disable Time from Low	$t_{PRLZ}$	Figure 8	-	10	60	ns
Receiver Output Disable Time from High	$t_{PRHZ}$	Figure 8	-	10	60	ns

## FUNCTION TABLE

Transmitting				
Inputs			Outputs	
$\overline{RE}$	DE	DI	B	A
X	1	1	0	1
X	1	0	1	0
0	0	X	Z	Z
1	0	X	Z	Z

Receiving			
Inputs			Output
$\overline{RE}$	DE	A - B	RO
0	0	$\geq +0.2V$	1
0	0	$\leq -0.2V$	0
0	0	Inputs Open	1
1	0	X	Z

X: Don't Care

Z: High Impedance



## PARAMETER MEASUREMENT INFORMATION

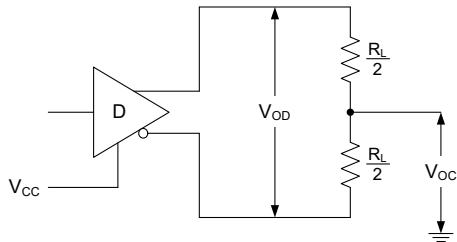


Fig. 1. Driver  $V_{OD}$  and  $V_{OC}$

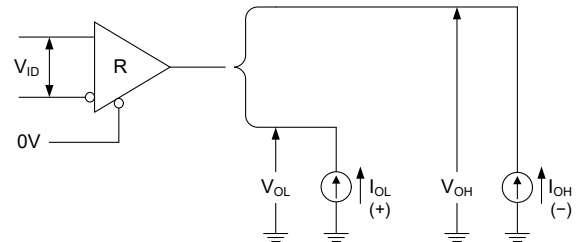


Fig. 2. Receiver  $V_{OH}$  and  $V_{OL}$

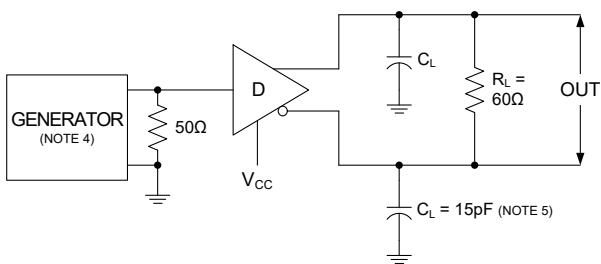


Fig. 3. Driver Differential Output Delay and Transition Times

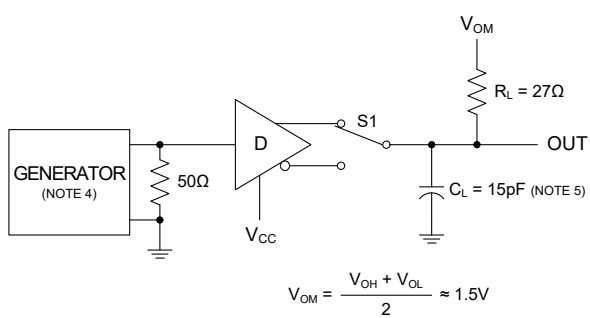
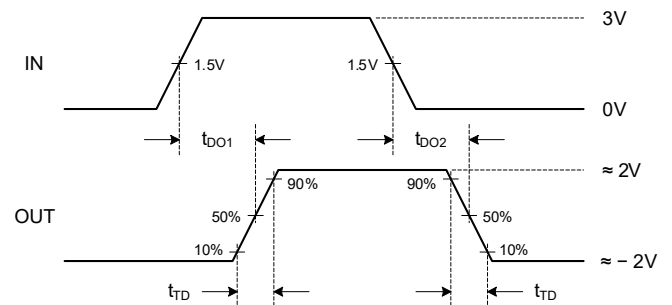
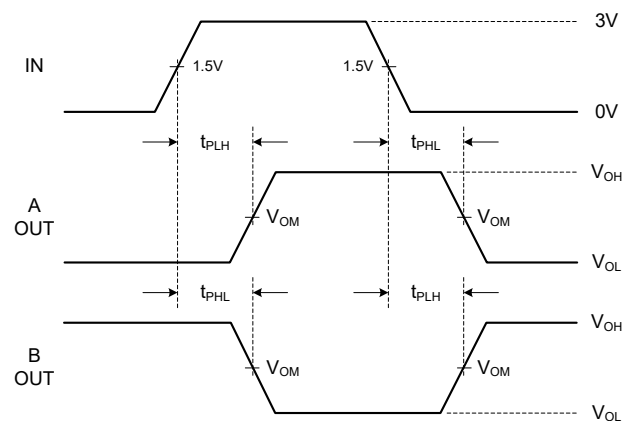


Fig. 4. Driver Propagation Delay



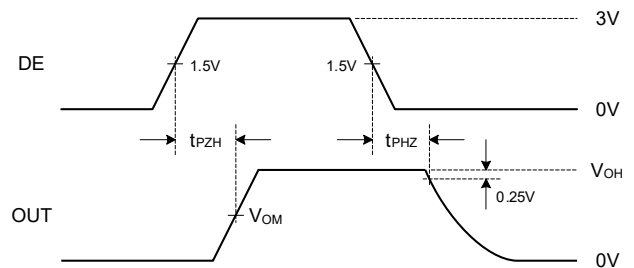
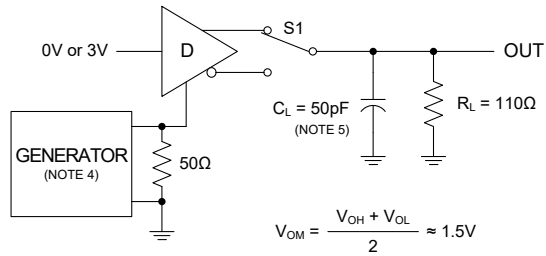


Fig. 5. Driver Enable and Disable Times, Output High

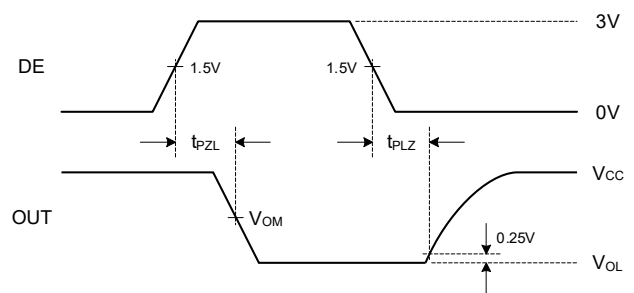
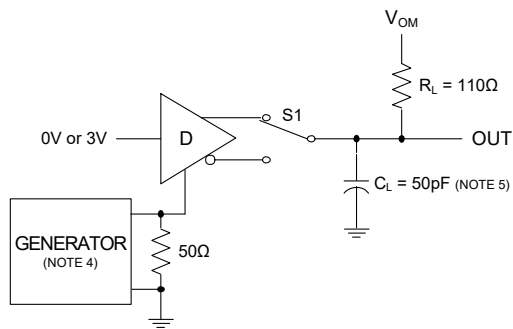


Fig. 6. Driver Enable and Disable Times, Output Low

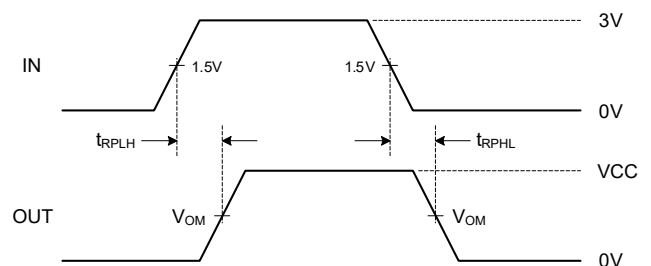
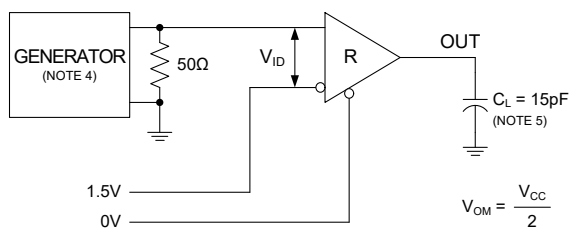


Fig. 7. Receiver Propagation Delay

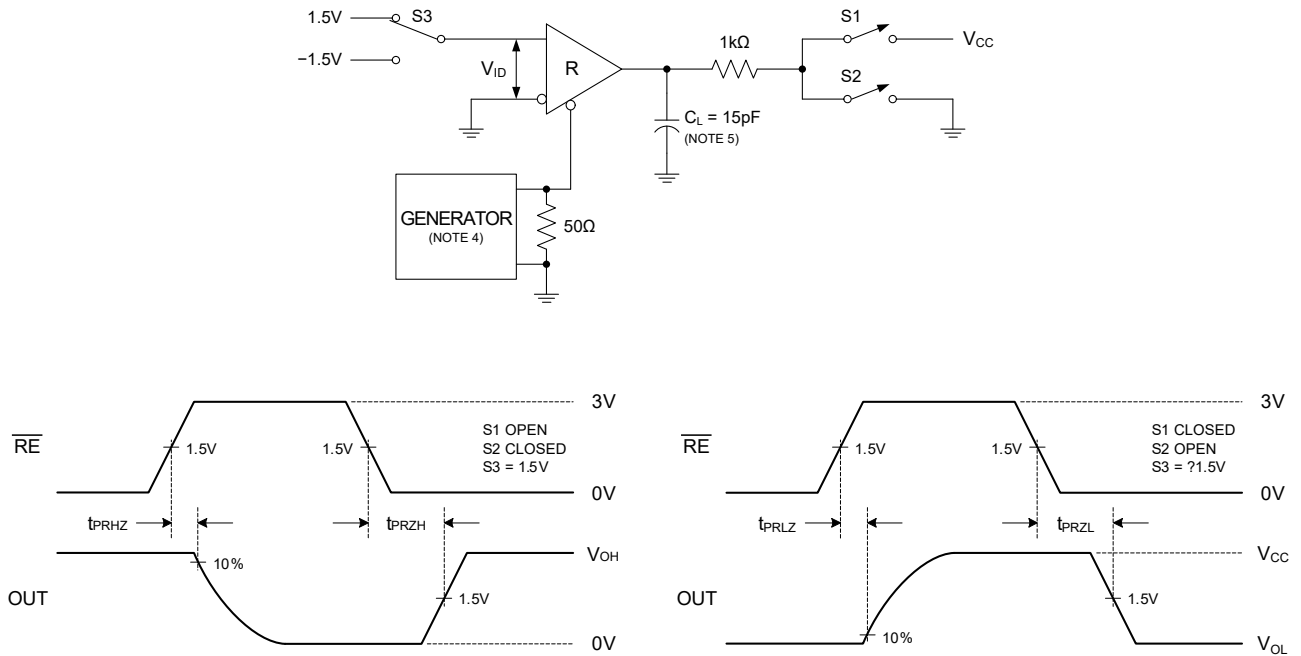


Fig. 8. Receiver Enable and Disable Times

Note 4. The input pulse is supplied by a generator with the following characteristics: PRR = 250kHz, 50% duty cycle,  $t_r \leq 6.0\text{ns}$ ,  $Z_O = 50\Omega$ .

Note 5.  $C_L$  includes probe and stray capacitance.





## APPLICATION INFORMATION

### Functional Description

The MAX3485EESA is 3.3V low power half-duplex differential transceiver that meets the requirements of RS-485 and RS-422. The RS-485 Standard is ideal for multi-drop applications and for long-distance interfaces. RS-485 allows up to 32 drivers and 32 receivers to be connected to a data bus, making it an ideal choice for multi-drop applications. Since the cabling can be as long as 4,000 feet, RS-485 transceivers are equipped with a wide common mode range of  $-7V$  to  $12V$  to accommodate ground potential differences. Because RS-485 is a differential interface, data is virtually immune to noise in the transmission line.

### Output Enable

The receiver output RO is enabled when  $\overline{RE}$  is low. RO is high impedance when  $\overline{RE}$  is high. The driver outputs are enabled by bringing DE high. They are high impedance when DE is low. If the driver outputs are enabled, the parts function as line drivers. While they are high impedance, they function as line receivers if  $\overline{RE}$  is low.

### Driver

The driver outputs of the MAX3485EESA are differential outputs meeting the RS-485 and RS-422 standards. The typical voltage output swing with no load will be 0 Volts to 3.3 Volts. With worst case loading of  $54\Omega$  across the differential outputs, the driver can maintain greater than 1.5V levels. The driver of the MAX3485EESA has an enable control line which is active high. A logic high on DE (pin 3) will enable the differential driver outputs. A logic low on DE (pin 3) will tri-state the driver outputs. The transmitter of the MAX3485EESA will operate up to 10Mbps.

### Receiver

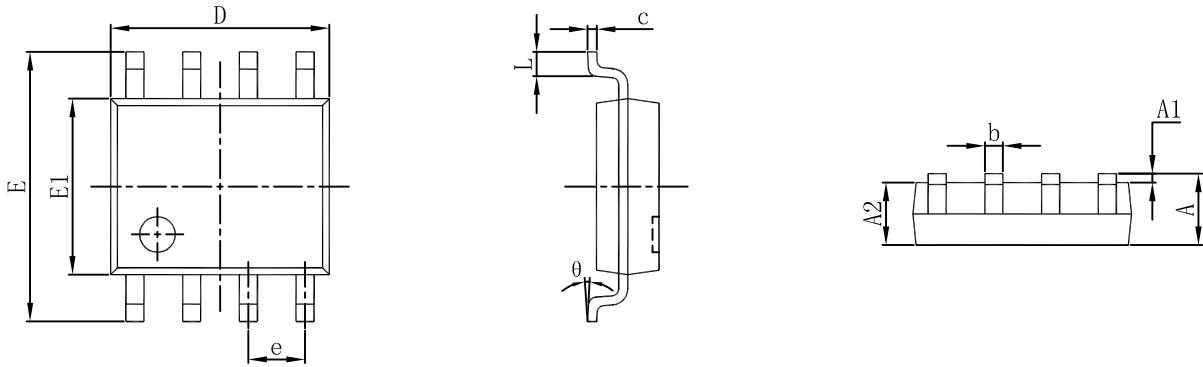
The MAX3485EESA receiver has differential inputs with an input sensitivity as low as  $\pm 200mV$ . Input impedance of the receiver is typically  $15k\Omega$  ( $12k\Omega$  minimum). A wide common mode range of  $-7V$  to  $+12V$  allows for large ground potential differences between systems. The receiver of the MAX3485EESA has a tri-state enable control pin. A logic low on  $\overline{RE}$  (pin 2) will enable the receiver, a logic high on  $\overline{RE}$  (pin 2) will disable the receiver. The receiver for the MAX3485EESA will operate up to 10Mbps.

The

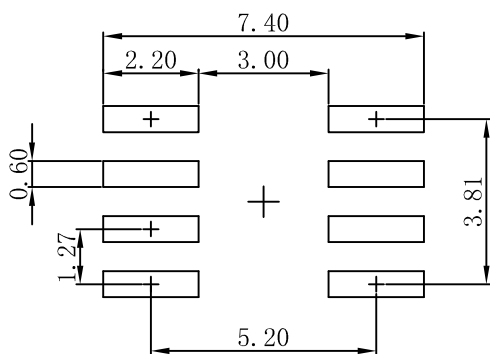
receiver is equipped with the fail-safe feature. Fail-safe feature guarantees that the receiver output will be in a high state when the input is left unconnected.



### SOP-8 Package Outline Dimensions



Symbol	Dimensions In Millimeters		Dimensions In Inches	
	Min	Max	Min	Max
A	1.350	1.750	0.053	0.069
A1	0.100	0.250	0.004	0.010
A2	1.350	1.550	0.053	0.061
b	0.330	0.510	0.013	0.020
c	0.170	0.250	0.007	0.010
D	4.800	5.000	0.189	0.197
e	1.270 (BSC)		0.050 (BSC)	
E	5.800	6.200	0.228	0.244
E1	3.800	4.000	0.150	0.157
L	0.400	1.270	0.016	0.050
θ	0°	8°	0°	8°



Note:  
 1. Controlling dimension: in millimeters.  
 2. General tolerance:  $\pm 0.05\text{mm}$ .  
 3. The pad layout is for reference purposes only.



### Attention

- Any and all HUA XUAN YANG ELECTRONICS products described or contained herein do not have specifications that can handle applications that require extremely high levels of reliability, such as life-support systems, aircraft's control systems, or other applications whose failure can be reasonably expected to result in serious physical and/or material damage. Consult with your HUA XUAN YANG ELECTRONICS representative nearest you before using any HUA XUAN YANG ELECTRONICS products described or contained herein in such applications.
- HUA XUAN YANG ELECTRONICS assumes no responsibility for equipment failures that result from using products at values that exceed, even momentarily, rated values (such as maximum ratings, operating condition ranges, or other parameters) listed in products specifications of any and all HUA XUAN YANG ELECTRONICS products described or contained herein.
- Specifications of any and all HUA XUAN YANG ELECTRONICS products described or contained herein stipulate the performance, characteristics, and functions of the described products in the independent state, and are not guarantees of the performance, characteristics, and functions of the described products as mounted in the customer's products or equipment. To verify symptoms and states that cannot be evaluated in an independent device, the customer should always evaluate and test devices mounted in the customer's products or equipment.
- HUA XUAN YANG ELECTRONICS CO.,LTD. strives to supply high-quality high-reliability products. However, any and all semiconductor products fail with some probability. It is possible that these probabilistic failures could give rise to accidents or events that could endanger human lives, that could give rise to smoke or fire, or that could cause damage to other property. When designing equipment, adopt safety measures so that these kinds of accidents or events cannot occur. Such measures include but are not limited to protective circuits and error prevention circuits for safe design, redundant design, and structural design.
- In the event that any or all HUA XUAN YANG ELECTRONICS products(including technical data, services) described or contained herein are controlled under any of applicable local export control laws and regulations, such products must not be exported without obtaining the export license from the authorities concerned in accordance with the above law.
- No part of this publication may be reproduced or transmitted in any form or by any means, electronic or mechanical, including photocopying and recording, or any information storage or retrieval system, or otherwise, without the prior written permission of HUA XUAN YANG ELECTRONICS CO.,LTD.
- Information (including circuit diagrams and circuit parameters) herein is for example only ; it is not guaranteed for volume production. HUA XUAN YANG ELECTRONICS believes information herein is accurate and reliable, but no guarantees are made or implied regarding its use or any infringements of intellectual property rights or other rights of third parties.
- Any and all information described or contained herein are subject to change without notice due to product/technology improvement, etc. When designing equipment, refer to the "Delivery Specification" for the HUA XUAN YANG ELECTRONICS product that you intend to use.

## X-ON Electronics

Largest Supplier of Electrical and Electronic Components

*Click to view similar products for [RS-422/RS-485 Interface IC](#) category:*

*Click to view products by [HXY MOS](#) manufacturer:*

Other Similar products are found below :

[SP3494CN-L/TR](#) [ISL4486IBZ-T](#) [ISL4491EIB](#) [ISL4491EIBZ-T](#) [ISL81483IB](#) [ISL83086EIB](#) [ISL83088EIB](#) [ISL83488IB](#) [ISL8483EIB](#)  
[ISL8487EIB](#) [ISL8489EIB](#) [ISL8491IP](#) [ADM489AN](#) [CA-IS3080WX](#) [CA-IS3086WX](#) [NSi83085E-DSWR](#) [SIT65HVD75ETK](#) [GM13487E](#)  
[CS48520M](#) [CA-IF4820FD](#) [HSN65HVD12DR](#) [UM3088EESA](#) [ISOW1412BDFMR](#) [MAX485MJA/883B](#) [CA-IF4888HS](#) [CS485M](#)  
[CLM3085ESA+](#) [CLM485ESA+](#) [CLM485EESA+](#) [CLM3085EESA+](#) [CS4585EO](#) [DW3085](#) [WS3471EEUA](#) [WS3079](#) [MS2583](#)  
[H485EIMM/TR](#) [SP3485EN-HXY](#) [SP3483EN-HXY](#) [ST3485EBDR-HXY](#) [MAX1487ESA-HXY](#) [MAX3483ESA-HXY](#) [MAX487ESA-HXY](#)  
[SP485EN-HXY](#) [SN75LBC184DR-HXY](#) [MAX485EESA-HXY](#) [SN65LBC184N-HXY](#) [SN75176N-HXY](#) [MAX3485EESA-HXY](#) [SP3485EN-](#)  
[MS](#) [SIT3490EEPA](#)