



概述

TLC555是行业标准的 CMOS 版本 555 系列通用定时器。该 TLC555 可提供产生精确的时间延迟和频率，具有非常低的功率损耗和电源电流尖峰。当芯片作为触发延时使用时，时间延时由一个单一的外部电阻和电容精确控制。在稳定模式下，振荡频率和占空比准确由两个外接电阻和一个电容器设定。

主要特点

- 低电源电流：80uA (典型值)
- 500KHz的稳态频率能力。
- 最低工作电压4.5V。
- 5V电压下，输出与TTL和CMOS逻辑电

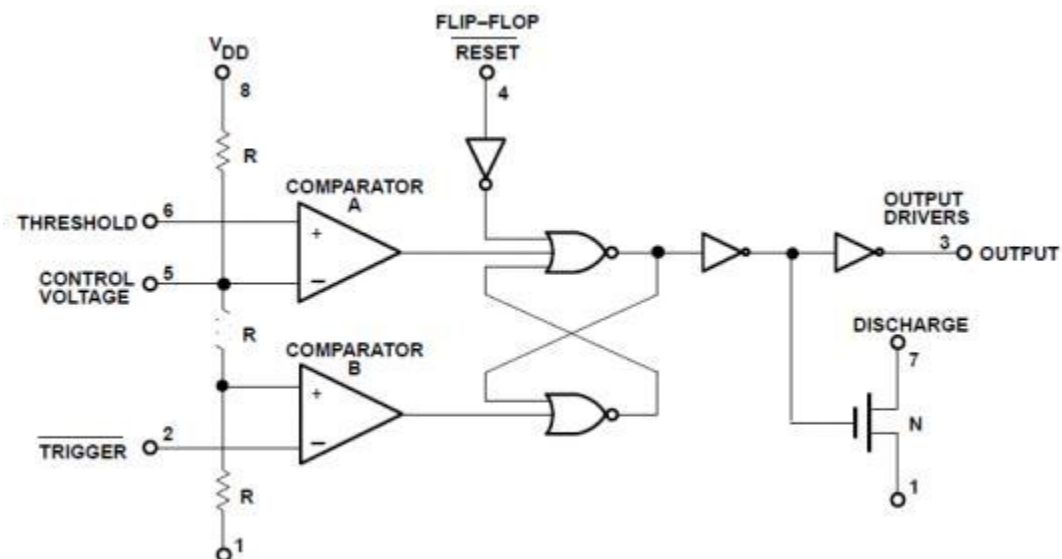
压完全兼容。

- 输出转换期间电源电流尖峰低。
- 极低的触发，阈值和复位电流：20pA(典型值)。
- 在非稳定和单稳态模式下运行，可调节占空比。
- 与555系列定时器引脚兼容。
- 采用SOP8封装形式。

主要应用领域

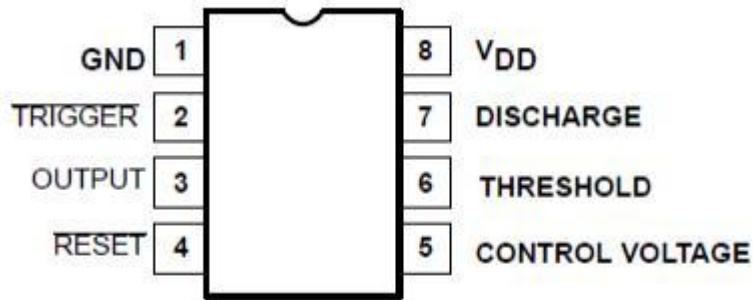
- 脉冲发生器
- 精确计时
- 延时生成
- 脉冲宽度调制

内部框图



管脚说明

TLC555提供 SOP8 封装形式



真值表

RESET	Vtrigger	Vthreshold	OUTPUT	DISCHARGE SWITCH
LOW	--	--	LOW	ON
HIGH	<1/3VCC	--	HIGH	OFF
HIGH	>1/3VCC	>2/3VCC	LOW	ON
HIGH	>1/3VCC	<2/3VCC	如前所述	

极限参数 (注 2)

符号	参数	值	单位
Vcc	供电电压	15	V
Toper	工作温度范围	0~85	C
Tj	结点温度	150	C
Tstg	贮藏温度范围	-65~150	C

推荐工作条件(TA=25°C)

符号	参数	值	单位
Vcc	供电电压	4.5~15	V
Vth, Vtrig, VCTRL, Vreset	最大输入电压	-0.3~Vcc+0.3	V

电气特性 (注 1,2)

条件: (无特殊规定, 测试电路中, TA=25°C, 所有开关打开, RESET 连接到 VCC)

参数	标识	测试条件	Min	典型值	Max	单位
电源电流	Is	VCC=5V		30	50	uA
		VCC =		60	100	
		10VVCC =		90	150	
控制电压	VCTRL	15V	3.28	3.33	3.38	V
		VCC=5V	6.6	6.66	6.7	
		VCC=10V	9.95	10	10.15	

VCC=15V



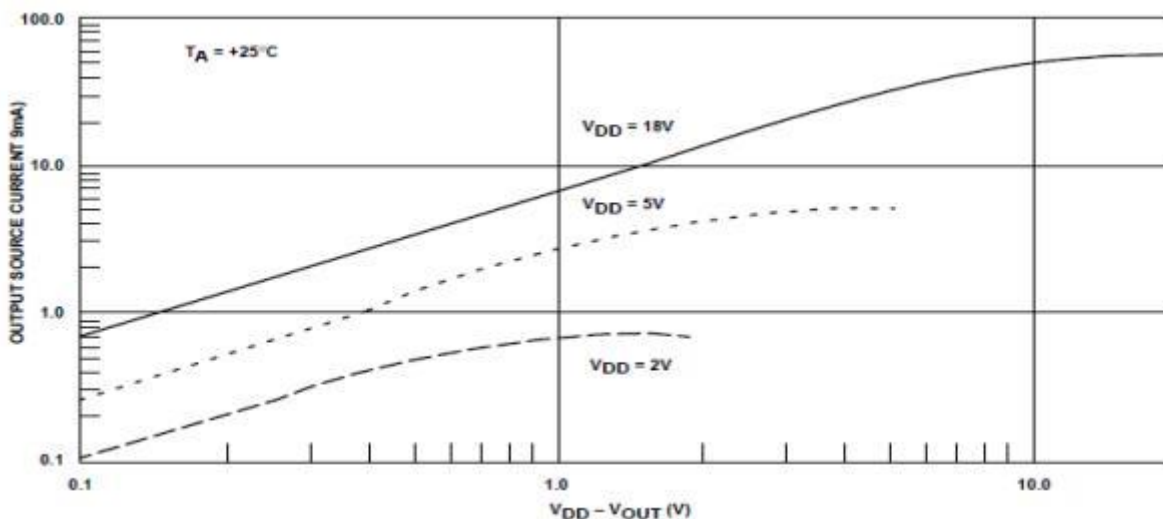
参数	标识	测试条件	Min	典型值	Max	单位
放电端饱和电压	VDIS	VCC=5V, IDIS=10mA		100	400	mV
输出电压(低)	VOL	VCC=5V, Io=3.2mA		0.1	0.4	V
		VCC=15V, Io=3.2mA				
输出电压(高)	VOH	VCC=5V, Io=-2mA	4.0	4.5		V
		VCC=15V, Io=-2mA	14.5			
触发电压	VTRIG	VCC=5V	1.55	1.66	1.7	V
		VCC=10V	3.23	3.33	3.38	
		VCC=15V	4.95	5	5.05	
触发电流	ITRIG	VCC=5V		10		pA
复位电压	VRES	VCC=5V	0.4	0.7	1.2	V
复位电流	IRES	VCC=5V		10		pA
阈值电流	ITHRESH	VCC=5V		10		pA
放电端漏电流	IDIS	VCC=12V		1.0	100	nA
输出上升	tR	VCC=5V, RL=10MΩ, CL=10pF	35	40	75	ns
下降时间	tF	VCC=5V, RL=10MΩ, CL=10pF	35	40	75	ns
最大频率	Fmax			500		KHz

注 1：所有电压都相对于该接地引脚测定，除非另有规定。

注 2：绝对最大额定值指超出该工作限制可能出现芯片损坏。工作额定值表明该设备可以工作，但不保证特殊的性能界限。电气特性的测试条件这保证特定性能指标下的直流和交流电气规范。这假定该芯片是在工作额定范围内。规格不保证没有限制条件的参数，然而典型值是芯片性能的一个很好的体现。

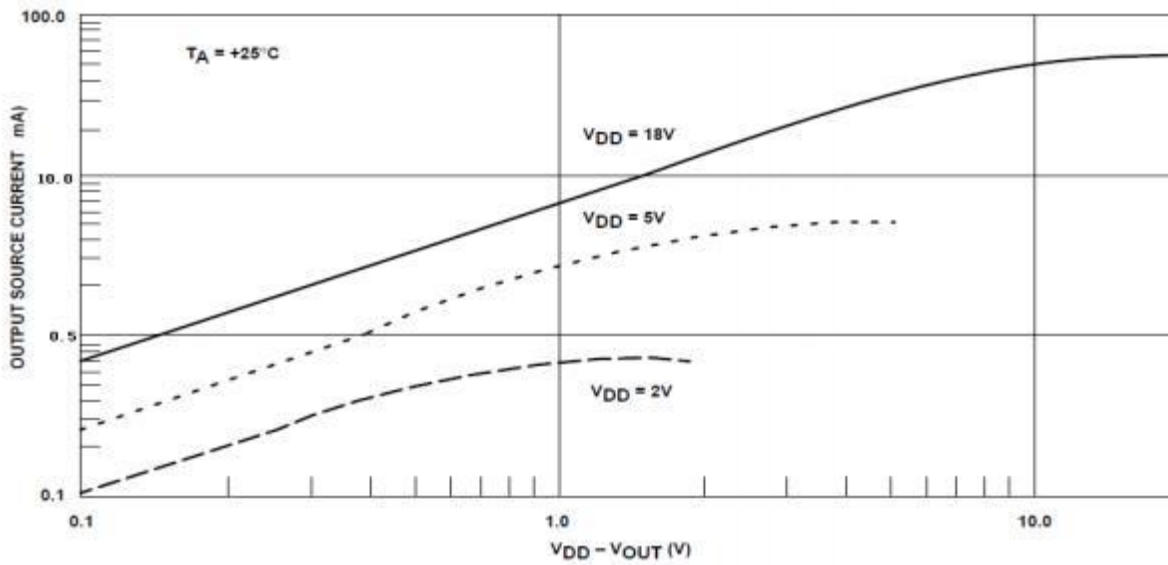
典型性能

1、高输出电压降与输出源电流

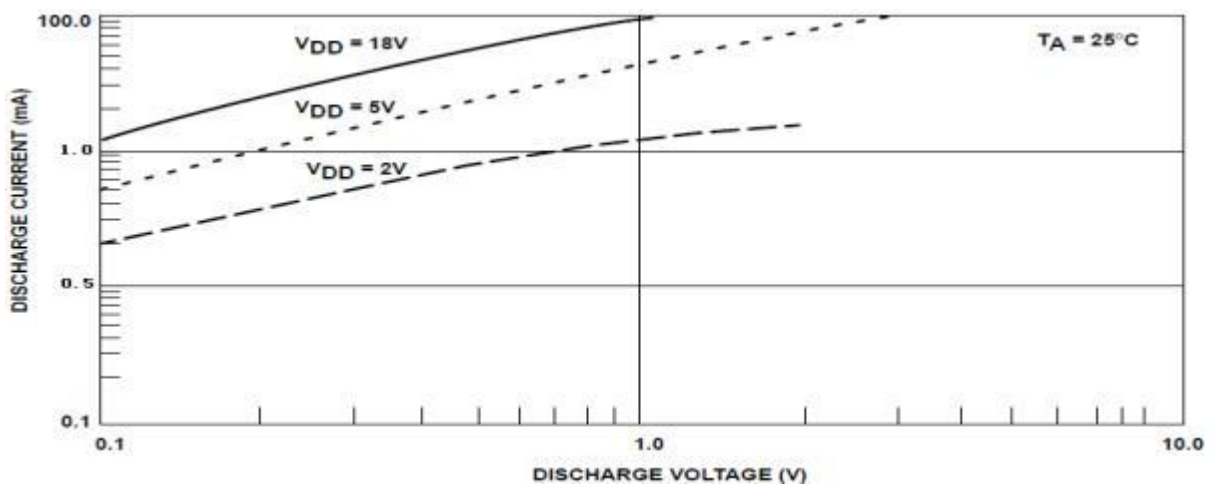




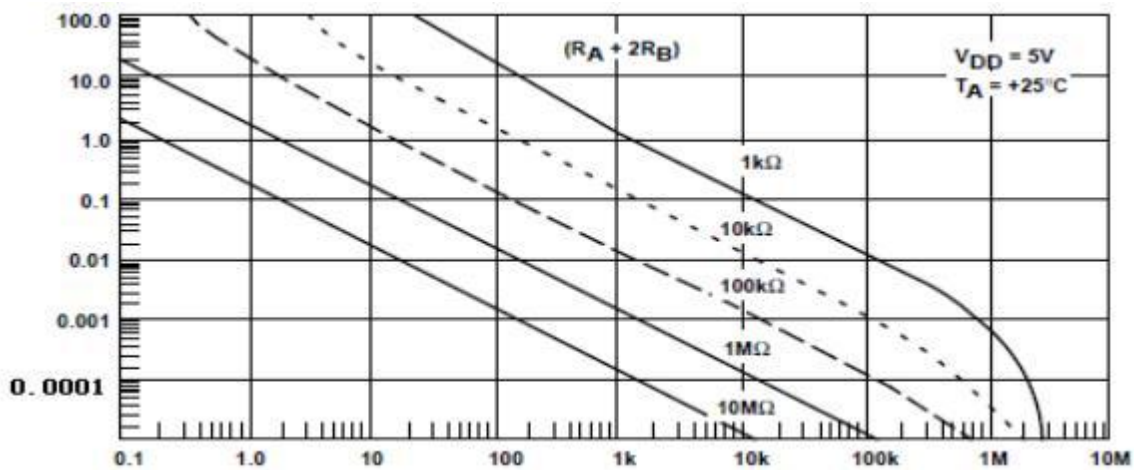
2、低输出电压与输出吸收电流



3、放电低输出电压与放电吸收电流



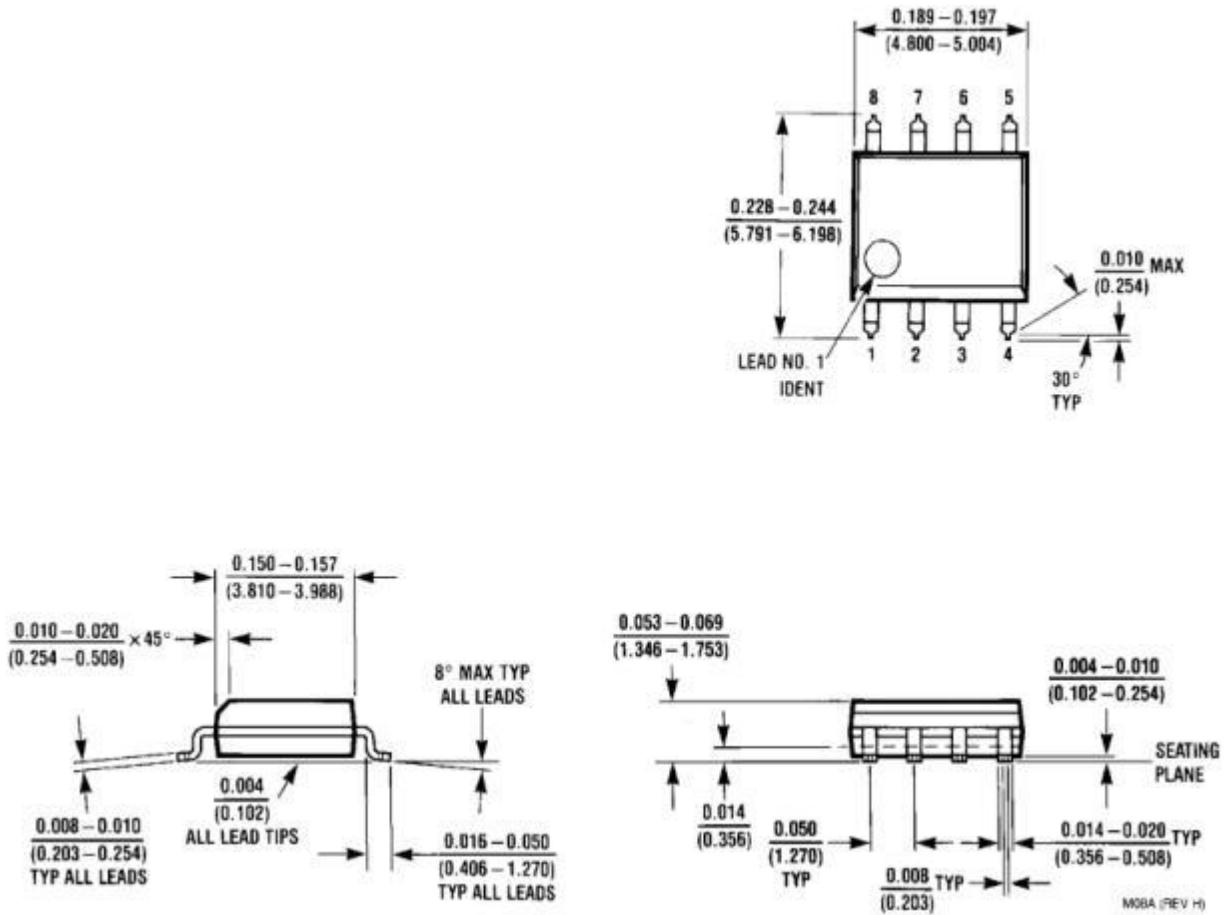
4、Ra、Rb、C 与频率





封装机械数据:

8 引脚塑料 SOP 英寸(毫米), 除非另有说明





Attention

- Any and all HUA XUAN YANG ELECTRONICS products described or contained herein do not have specifications that can handle applications that require extremely high levels of reliability, such as life-support systems, aircraft's control systems, or other applications whose failure can be reasonably expected to result in serious physical and/or material damage. Consult with your HUA XUAN YANG ELECTRONICS representative nearest you before using any HUA XUAN YANG ELECTRONICS products described or contained herein in such applications.
- HUA XUAN YANG ELECTRONICS assumes no responsibility for equipment failures that result from using products at values that exceed, even momentarily, rated values (such as maximum ratings, operating condition ranges, or other parameters) listed in products specifications of any and all HUA XUAN YANG ELECTRONICS products described or contained herein.
- Specifications of any and all HUA XUAN YANG ELECTRONICS products described or contained herein stipulate the performance, characteristics, and functions of the described products in the independent state, and are not guarantees of the performance, characteristics, and functions of the described products as mounted in the customer's products or equipment. To verify symptoms and states that cannot be evaluated in an independent device, the customer should always evaluate and test devices mounted in the customer's products or equipment.
- HUA XUAN YANG ELECTRONICS CO.,LTD. strives to supply high-quality high-reliability products. However, any and all semiconductor products fail with some probability. It is possible that these probabilistic failures could give rise to accidents or events that could endanger human lives, that could give rise to smoke or fire, or that could cause damage to other property. When designing equipment, adopt safety measures so that these kinds of accidents or events cannot occur. Such measures include but are not limited to protective circuits and error prevention circuits for safe design, redundant design, and structural design.
- In the event that any or all HUA XUAN YANG ELECTRONICS products(including technical data, services) described or contained herein are controlled under any of applicable local export control laws and regulations, such products must not be exported without obtaining the export license from the authorities concerned in accordance with the above law.
- No part of this publication may be reproduced or transmitted in any form or by any means, electronic or mechanical, including photocopying and recording, or any information storage or retrieval system, or otherwise, without the prior written permission of HUA XUAN YANG ELECTRONICS CO.,LTD.
- Information (including circuit diagrams and circuit parameters) herein is for example only ; it is not guaranteed for volume production. HUA XUAN YANG ELECTRONICS believes information herein is accurate and reliable, but no guarantees are made or implied regarding its use or any infringements of intellectual property rights or other rights of third parties.
- Any and all information described or contained herein are subject to change without notice due to product/technology improvement, etc. When designing equipment, refer to the "Delivery Specification" for the HUA XUAN YANG ELECTRONICS product that you intend to use.

X-ON Electronics

Largest Supplier of Electrical and Electronic Components

Click to view similar products for [Timers & Support Products](#) category:

Click to view products by [HXY MOS](#) manufacturer:

Other Similar products are found below :

[NLV14541BDG](#) [PT8A2514APE](#) [S-35710M01I-E8T3U](#) [S-35720C01A-K8T2U](#) [VSC8248YJH-02](#) [SA555DR\(UMW\)](#) [HGC555IMM/TR](#)
[NE555DR-JSM](#) [LM555CM/TR](#) [LM556M/TR](#) [TLC556M/TR](#) [ICM7555N](#) [HGC555IM/TR](#) [HT555CNZ](#) [TLC555-HXY](#) [NE555-HXY](#)
[NE556DR-MS](#) [SL555S](#) [SY87700ALZG](#) [LMC555CM](#) [FT8010UMX](#) [GN1113-INE3](#) [NA555S-13](#) [PT8A2511PE](#) [Z84C3008PEG](#) [SA555S-13](#)
[SY87701ALHG](#) [S-1410G28-K8T2U4](#) [IS82C54](#) [S-1410H30-K8T2U4](#) [S-35710C01I-K8T2U](#) [S-35770E01I-K8T2U](#) [S-35720C01I-K8T2U](#) [S-](#)
[35720C02I-K8T2U](#) [S-35730C01I-K8T2U](#) [S-35740C01I-K8T2U](#) [S-1410G29-K8T2U4](#) [S-1410A28-K8T2U4](#) [ALD555PAL](#) [ALD7555PAL](#)
[NE555S-13](#) [ZSCT1555N8TA](#) [CD4541BE](#) [XD4518](#) [NE555L-D08-T](#) [NE555N](#) [NE555N](#) [XD555](#) [XD7555](#) [XD551](#)