



HY2120

Data Sheet

2-Cell Lithium-ion/Lithium Polymer
Battery Packs Protection ICs

Table of Contents

1. GENERAL DESCRIPTION	4
2. FEATURES	4
3. APPLICATIONS	4
4. BLOCK DIAGRAM.....	5
5. ORDERING INFORMATION.....	6
6. MODEL LIST.....	6
7. PIN CONFIGURATION AND PACKAGE MARKING INFORMATION	7
8. ABSOLUTE MAXIMUM RATINGS	8
9. ELECTRICAL CHARACTERISTICS	9
10. BATTERY PROTECTION IC CONNECTION EXAMPLE	10
11. DESCRIPTION OF OPERATION.....	12
11.1. Normal Status.....	12
11.2. Overcharge Status	12
11.3. Overdischarge Status.....	13
11.4. Discharge Overcurrent Status (Discharge Overcurrent & Short Circuit).....	14
11.5. Charge Overcurrent Status	15
12. CHARACTERISTICS (TYPICAL DATA).....	16
13. PACKAGE INFORMATION.....	19
13.1. SOT-23-6.....	19
14. TAPE & REEL INFORMATION.....	20
14.1. Tape & Reel Information---SOT-23-6 (Type 1).....	20
14.2. Tape & Reel Information---SOT-23-6 (Type 2).....	21
15. REVISION RECORD.....	22

Attention :

1. HYCON Technology Corp. reserves the right to change the content of this datasheet without further notice. For most up-to-date information, please constantly visit our website:
<http://www.hycontek.com> .
2. HYCON Technology Corp. is not responsible for problems caused by figures or application circuits narrated herein whose related industrial properties belong to third parties.
3. Specifications of any HYCON Technology Corp. products detailed or contained herein stipulate the performance, characteristics, and functions of the specified products in the independent state. We does not guarantee of the performance, characteristics, and functions of the specified products as placed in the customer's products or equipment. Constant and sufficient verification and evaluation is highly advised.
4. Please note the operating conditions of input voltage, output voltage and load current and ensure the IC internal power consumption does not exceed that of package tolerance. HYCON Technology Corp. assumes no responsibility for equipment failures that resulted from using products at values that exceed, even momentarily, rated values listed in products specifications of HYCON products specified herein.
5. Notwithstanding this product has built-in ESD protection circuit, please do not exert excessive static electricity to protection circuit.
6. Products specified or contained herein cannot be employed in applications which require extremely high levels of reliability, such as device or equipment affecting the human body, health/medical equipments, security systems, or any apparatus installed in aircrafts and other vehicles.
7. Despite the fact that HYCON Technology Corp. endeavors to enhance product quality as well as reliability in every possible way, failure or malfunction of semiconductor products may happen. Hence, users are strongly recommended to comply with safety design including redundancy and fire-precaution equipments to prevent any accidents and fires that may follow.
8. Use of the information described herein for other purposes and/or reproduction or copying without the permission of HYCON Technology Corp. is strictly prohibited.

1. General Description

The series of HY2120 ICs is best created for 2-cell lithium-ion/lithium polymer rechargeable battery protection and it also comprises high-accuracy voltage detectors and delay circuits.

These ICs are suitable for protecting 2-cell rechargeable lithium-ion/lithium polymer battery packs against the problems of overcharge, overdischarge and overcurrent.

2. Features

The features that whole series of HY2120 comprised are as follows:

(1) High-accuracy voltage detection circuit

- Overcharge detection voltage V_{CU_n} ($n=1, 2$) 4.10 to 4.50V Accuracy $\pm 25mV$
- Overcharge release voltage V_{CR_n} ($n=1, 2$) 3.90 to 4.30V Accuracy $\pm 50mV$
- Overdischarge detection voltage V_{DL_n} ($n=1, 2$) 2.00 to 3.20V Accuracy $\pm 80mV$
- Overdischarge release voltage V_{DR_n} ($n=1, 2$) 2.30 to 3.40V Accuracy $\pm 100mV$
- Discharge overcurrent detection voltage (by option)
- Charge overcurrent detection voltage (by option) Accuracy $\pm 30mV$
- Short-circuiting detection voltage 1.0V(fixed) Accuracy $\pm 0.4V$

(2) Delay times are generated by an internal circuit (external capacitors are unnecessary).

- Overcharge delay time 1000ms typ.
- Overdischarge delay time 110ms typ.
- Discharge overcurrent delay time 10ms typ.
- Charge overcurrent detection voltage 7ms typ.
- Short circuit delay time 250 μs typ.

(3) Low current consumption(Products with Power-down Function)

- Operation mode 5.0 μA typ., 9.0 μA max. (VDD=7.8V)
- Ultra low power-down current at 0.1 μA max. (VDD=4.0V)

(4) High-withstanding-voltage device is used for charger connection pins

(CS pin and OC pin : Absolute maximum rating = 33 V)

(5) 0 V battery charge function “available” / “unavailable” are selectable

(6) Wide operating temperature range $-40^{\circ}C$ to $+85^{\circ}C$

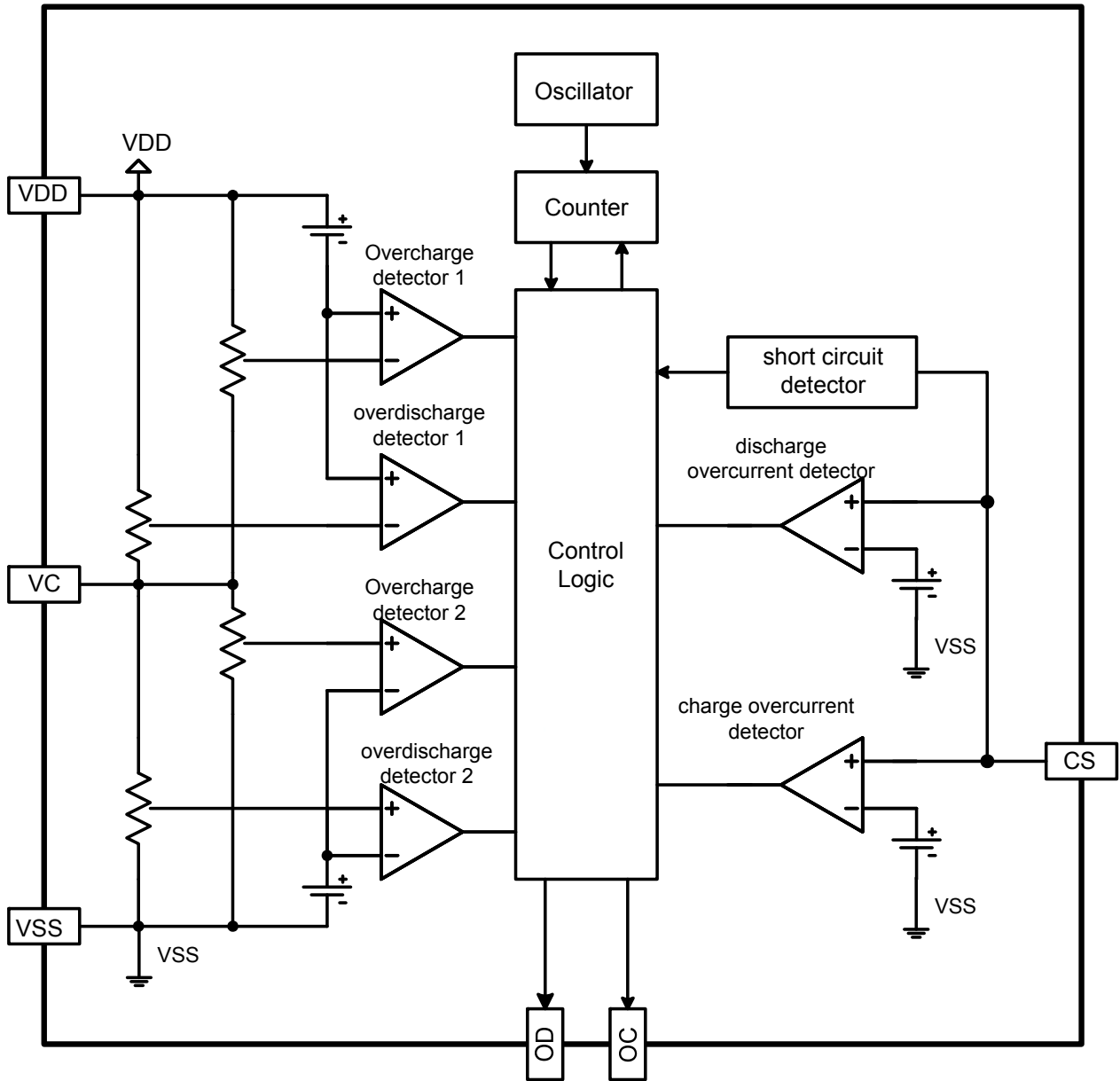
(7) Small package SOT-23-6

(8) The HY2120 series are Halogen-free, green package

3. Applications

- 2-cell lithium-ion rechargeable battery packs
- 2-cell lithium polymer rechargeable battery packs

4. Block Diagram



5. Ordering Information

- Product name define

HY2120-XX

Package name
B: SOT-23-6

Serial code
Sequentially set from A to Z

6. Model List

Model	Overcharge detection voltage	Overcharge release voltage	Overdischarge detection voltage	Overdischarge release voltage	Discharge overcurrent detection voltage	Charge overcurrent detection voltage	0V battery charge function	Characteristic Code
	V_{CU_n}	V_{CR_n}	V_{DL_n}	V_{DR_n}	V_{DIP}	V_{CIP}	V_{0CH}	
HY2120-AB	4.35±0.025V	4.15±0.05V	2.30±0.08V	3.00±0.1V	300±30mV	-210±30mV	available	A
HY2120-BB	4.35±0.025V	4.15±0.05V	2.30±0.08V	3.00±0.1V	200±30mV	-210±30mV	available	A
HY2120-CB	4.28±0.025V	4.08±0.05V	2.90±0.08V	3.00±0.1V	200±30mV	-210±30mV	available	A
HY2120-DB	4.28±0.025V	4.08±0.05V	2.25±0.08V	2.95±0.1V	200±30mV	-210±30mV	available	A
HY2120-EB	4.28±0.025V	4.08±0.05V	2.25±0.08V	2.95±0.1V	150±30mV	-210±30mV	available	A
HY2120-FB	4.30±0.025V	4.10±0.05V	2.90±0.08V	3.00±0.1V	200±30mV	-210±30mV	available	A
HY2120-GB	4.28±0.025V	4.08±0.05V	3.10±0.08V	3.20±0.1V	200±30mV	-210±30mV	available	A
HY2120-HB	4.38±0.025V	4.18±0.05V	2.40±0.08V	2.60±0.1V	200±30mV	-210±30mV	available	C
HY2120-LB	4.25±0.025V	4.05±0.05V	2.80±0.08V	3.00±0.1V	200±30mV	-210±30mV	available	E
HY2120-MB	4.45±0.025V	4.25±0.05V	2.25±0.08V	2.95±0.1V	200±30mV	-210±30mV	available	A
HY2120-NB	4.28±0.025V	4.08±0.05V	2.80±0.08V	3.00±0.1V	200±30mV	-210±30mV	available	B
HY2120-OB	4.25±0.025V	4.05±0.05V	2.80±0.08V	3.00±0.1V	100±15mV	-100±15mV	available	B

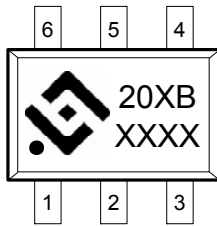
Remark: Please contact our sales office for the products with detection voltage value other than those specified above.

Characteristic Code Option

Characteristic Code	Overcharge release Function	Power-down Function/ Auto Overdischarge Recovery Function
A	Overcharge release code 1: for details, see the 11.2.1 specification	With power-down Function
B	Overcharge release code 2: for details, see the 11.2.2 specification	With auto overdischarge recovery function
C	Overcharge release code 1: for details, see the 11.2.1 specification	With auto overdischarge recovery function
E	Overcharge release code 2: for details, see the 11.2.2 specification	With power-down Function

7. Pin Configuration and Package Marking Information

Pin No.	Symbol	Description
1	OD	MOSFET gate connection pin for discharge control
2	OC	MOSFET gate connection pin for charge control
3	CS	Input pin for current sense, charger detect pin
4	VC	Input pin of the center voltage between two-cell
5	VDD	Power supply pin
6	VSS	Ground pin



20 : Product Name
 XB : Serial code & Package name
 XXXX : Date code

8. Absolute Maximum Ratings

(VSS=0V, Ta=25°C unless otherwise specified)

Item	Symbol	Rating	Unit
Input voltage between VDD and VSS pin	V _{DD}	VSS-0.3 to VSS+10	V
OC output pin voltage	V _{OC}	VDD-33 to VDD+0.3	V
OD output pin voltage	V _{OD}	VSS-0.3 to VDD+0.3	V
CS input pin voltage	V _{CS}	VDD-33 to VDD+0.3	V
Operating Temperature Range	T _{OP}	-40 to +85	°C
Storage Temperature Range	T _{ST}	-40 to +125	°C
Power dissipation	P _D	250	mW

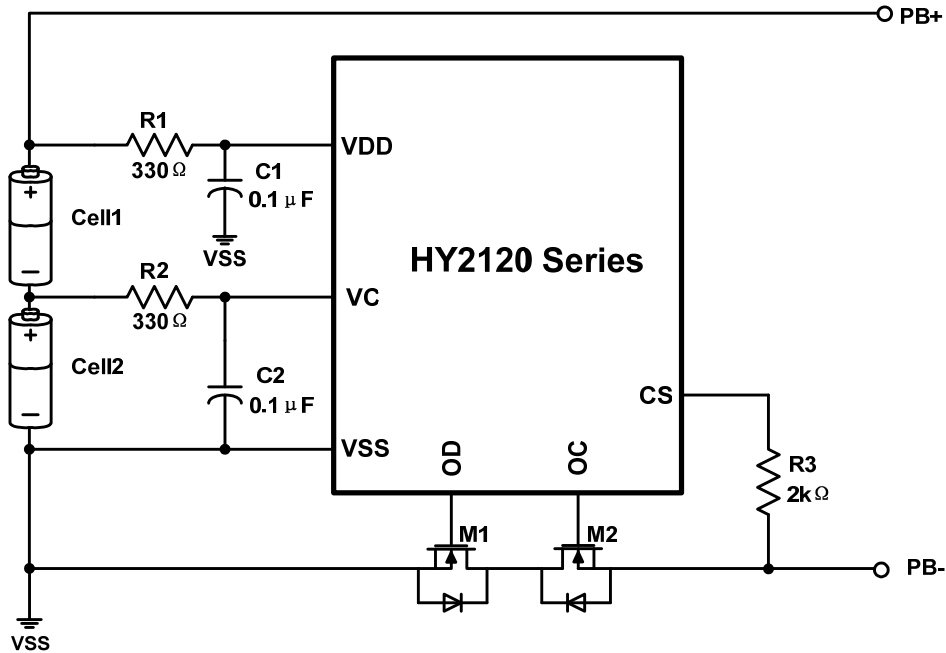
9. Electrical Characteristics

(VSS=0V, Ta=25°C unless otherwise specified)

Item	Symbol	Condition	Min.	Typ.	Max.	Unit
SUPPLY POWER RANGE						
Operating voltage between VDD pin and VSS pin	V_{DSOP1}	-	1.5	-	10	V
Operating voltage between VDD pin and CS pin	V_{DSOP2}	-	1.5	-	33	V
INPUT CURRENT(with Power-down Function)						
Supply Current	I_{DD}	VDD=7.8V		5.0	9.0	μ A
Power-Down Current	I_{PD}	VDD=4.0V			0.1	μ A
INPUT CURRENT(with Auto Overdischarge Recovery Function)						
Supply Current	I_{DD}	VDD=7.8V		5.0	9.0	μ A
Overdischarge Current Consumption	I_{OD}	VDD=4.0V		5.0	9.0	μ A
DETECTION VOLTAGE						
Overcharge Detection Voltage cell n (*1)	V_{CU_n}	4.1V to 4.5V adjustable	$V_{CU_n}-0.025$	V_{CU_n}	$V_{CU_n}+0.025$	V
Overcharge Release Voltage cell n (*1)	V_{CR_n}	3.9V to 4.3V adjustable	$V_{CR_n}-0.05$	V_{CR_n}	$V_{CR_n}+0.05$	V
Overdischarge Detection Voltage cell n (*1)	V_{DL_n}	2.0V to 3.2V adjustable	$V_{DL_n}-0.08$	V_{DL_n}	$V_{DL_n}+0.08$	V
Overdischarge Release Voltage cell n (*1)	V_{DR_n}	2.3V to 3.4V adjustable	$V_{DR_n}-0.10$	V_{DR_n}	$V_{DR_n}+0.10$	V
Discharge Overcurrent Detection Voltage	V_{DIP}	$V_{DIP} < 150\text{mV}$	$V_{DIP}-15$	V_{DIP}	$V_{DIP}+15$	mV
		$V_{DIP} \geq 150\text{mV}$	$V_{DIP}-30$	V_{DIP}	$V_{DIP}+30$	mV
Short Circuit Detection Voltage	V_{SIP}	$V_{DD}-V_{SS}=7.0\text{V}$	0.6	1.0	1.4	V
Charge Overcurrent Detection Voltage	V_{CIP}	$V_{CIP} > -150\text{mV}$	$V_{CIP}-15$	V_{CIP}	$V_{CIP}+15$	mV
		$V_{CIP} \leq -150\text{mV}$	$V_{CIP}-30$	V_{CIP}	$V_{CIP}+30$	mV
DELAY TIME						
Overcharge Delay Time	T_{OC}		700	1000	1300	ms
Overdischarge Delay Time	T_{OD}		70	110	150	ms
Discharge Overcurrent Delay Time	T_{DIP}		6	10	14	ms
Charge Overcurrent detection Voltage	T_{CIP}		4	7	10	ms
Short Circuit Delay Time	T_{SIP}		150	250	400	μ s
CONTROL OUTPUT VOLTAGE(OD&OC)						
OD Pin Output "H" Voltage	V_{DH}		VDD-0.1	VDD-0.02		V
OD Pin Output "L" Voltage	V_{DL}			0.2	0.5	V
OC Pin Output "H" Voltage	V_{CH}		VDD-0.1	VDD-0.02		V
OC Pin Output "L" Voltage	V_{CL}			0.2	0.5	V
0V BATTERY CHARGE FUNCTION						
Charger start voltage(available 0V battery charge function)	V_{0CH}	Available 0V battery charge function	1.2	-	-	V
Battery voltage(unavailable 0V battery charge function)	V_{0IN}	Unavailable 0V battery charge function	-	-	0.5	V

NOTE: *1. n=1, 2.

10. Battery Protection IC Connection Example



Symbol	Device Name	Purpose	Min.	Typ.	Max.	Remark
R1	Resistor	limit current, stabilize VDD and strengthen ESD protection	100Ω	330Ω	470Ω	*1
R2	Resistor	limit current, stabilize VC and strengthen ESD protection	100Ω	330Ω	470Ω	*1
R3	Resistor	limit current	1 kΩ	2kΩ	4kΩ	*2
C1	Capacitor	Filter, stabilize VDD	0.01μF	0.1μF	1.0μF	*3
C2	Capacitor	Filter, stabilize VDD	0.01μF	0.1μF	1.0μF	*3
M1	N-MOSFET	Discharge control	-	-	-	*4
M2	N-MOSFET	Charge control	-	-	-	*5

*1. If R1 or R2 connects with an over-spec resistor, battery accuracy may be influenced due to R1 or R2 voltage drop that caused by current consumption. When a charger is connected in reversed, the current flows from the charger to the IC. At this time, if R1 or R2 is too high, the voltage between VDD pin and VSS pin may exceed the absolute maximum rating.

*2. If R3 connects with an over-spec resistor, the charging current may not be cut off when a high-voltage charger is connected. Please select as large a resistor as possible to control current when a charger is connected in reversed.

*3. C1 & C2 can stabilize the supply voltage of VDD, the value of C1 & C2 should be equal to or more than 0.01μF.

*4. If a MOSFET with a threshold voltage that is the same or more than overdischarge detection voltage is applied, discharging may be stopped before overdischarge is detected.

*5. If the withstanding voltage between the gate and source is lower than the charger voltage, the FET may be destroyed.

Caution:

1. The above constants may be changed without notice, please download the most up-to-date datasheet on our website. <http://www.hycontek.com>
2. It is advised to perform thorough evaluation and test if peripheral devices need to be amended.

11. Description of Operation

11.1. Normal Status

This IC monitors the voltage of the battery connected between the VDD pin and VSS pin and the voltage difference between the CS pin and VSS pin to control charging and discharging.

When the cell1 and cell2 voltage is in the range from overdischarge detection voltage (V_{DLn}) to overcharge detection voltage (V_{CUn}), and the CS pin voltage is in the range from the charge overcurrent detection voltage (V_{CIP}) to discharge overcurrent detection voltage (V_{DIP}), the IC turns both the charging and discharging control MOSFET on. This condition is called the normal status. Under this condition, charging and discharging can both be carried out freely.

Notice: Discharging may not be enacted when the battery is first time connected. To regain normal status, CS and VSS PIN must be shorted or the charger must be connected.

11.2. Overcharge Status

11.2.1 Overcharge release code 1 model

The normal state of the battery voltage between VDD pin and VC pin (the voltage of Cell 1) and the voltage between VC pin and VSS pin (the voltage of Cell2), if either voltage becomes equal or more than the overcharge detector voltage (V_{CUn}), and continued exceed overcharge delay time (T_{OC}) an external charge control Nch MOSFET turns off with OC pin being at "L" level.

To reset the overcharge and make the OC pin level to "H" again after detecting overcharge, in such conditions that a time when the both Cell1 and Cell2 are down to a level lower than overcharge voltage, by connecting a kind of load to VDD after disconnecting a charger from the battery pack. Then, the output voltage of OC pin becomes "H", and it makes an external Nch MOSFET turn on, and charge cycle is available. In other words, once overcharge is detected, even if the supply voltage becomes low enough, if a charger is continuously connected to the battery pack, recharge is not possible.

11.2.2 Overcharge release code 2 model

The normal state of the battery voltage between VDD pin and VC pin (the voltage of Cell 1) and the voltage between VC pin and VSS pin (the voltage of Cell2), if either voltage becomes equal or more than the overcharge detector voltage (V_{CUn}), and continued exceed overcharge delay time (T_{OC}) an external charge control Nch MOSFET turns off with OC pin being at "L" level.

The overcharge status can be release by the following two cases:

- (1) The voltage of the battery cell1 and the voltage of the battery cell2 are equal to or lowers than the overcharge release voltage (V_{CRn}) due to self-discharge.
- (2) When load is connected and the battery voltage falls below the overcharge protection voltage (V_{CUn}).

Notice:

Further, either or both voltage of Cell1 and Cell2 is higher than the overcharge detector threshold, if

a charger is removed and some load is connected, OC outputs “L”, however, load current can flow through the parasitic diode of the external charge control Nch MOSFET. After that, when the VDD pin voltage becomes lower than the overcharge detector threshold, OC becomes “H”.

Internal fixed output delay times for overcharge detection. If either or both of the voltage of Cell1 or Cell2 keeps its level more than the overcharge detector threshold, and output delay time passes, overcharge voltage is detected. Even when the voltage of Cell1 or Cell2 level becomes equal or higher level than overcharge detection voltage (V_{CU_n}) if these voltages would be back to a level lower than the overcharge detector threshold within a time period of the output delay time, the overcharge is not detected.

11.3. Overdischarge Status

11.3.1. Products with Power-down Function

Batteries under normal operation mode, voltage of cell 1 that connected to VDD and VC pin or voltage of cell 2 that connected to VC and VSS pin drops lower than overdischarge detection voltage (V_{DLn}) and the mode continues longer than overdischarge detection delay time (T_{OD}) during discharging, HY2120 series will turn the OD pin output voltage from high level to low level and turn the discharging control MOSFET off (OD pin) so as to stop discharging. This condition is called the “Overdischarge Status”.

When MOSFET is off, CS pin voltage is pulled up by IC internal resistor to VDD, reducing IC power consumption value to that of in the sleep mode ($<0.1\mu A$). This condition is called the “Sleep Mode”.

The overdischarge status will be released by two following cases. OD pin output voltage turns from low level to high level, conducting discharge control MOSFET.

(1) If CS pin voltage lowers than charge overcurrent detection voltage (V_{CIP}) when charger is connected, voltage of cell 1 and cell 2 goes higher than overdischarge detection voltage (V_{DLn}), the overdischarge status is released and back to normal operation mode.

(2) If CS pin voltage is higher than charge overcurrent detection voltage (V_{CIP}) when charger is connected, voltage of cell 1 and cell 2 goes higher than overdischarge release voltage (V_{DRn}), the overdischarge status is released and back to normal operation mode.

11.3.2. Products with Auto Overdischarge Recovery Function

Batteries under normal operation mode, voltage of cell 1 that connected to VDD and VC pin or voltage of cell 2 that connected to VC and VSS pin drops lower than overdischarge detection voltage (V_{DLn}) and the mode continues longer than overdischarge detection delay time (T_{OD}) during discharging, HY2120 series will turn the OD pin output voltage from high level to low level and turn the discharging control MOSFET off (OD pin) so as to stop discharging. This condition is called the “Overdischarge Status”.

The overdischarge status will be released by three cases:

(1) When CS pin voltage is equal to or lower than the charge overcurrent detection voltage (V_{CIP}) by

- charging and voltage of cell 1 and cell 2 goes higher than the overdischarge detection voltage (V_{DLn}).
- (2) When CS pin voltage is equal to or higher than the charge overcurrent detection voltage (V_{CIP}) by charging and voltage of cell 1 and cell 2 goes higher than the overdischarge release voltage (V_{DRn}).
 - (3) Without connecting a charger, if the voltage of cell 1 and cell 2 goes higher than overdischarge release voltage (V_{DRn}), the overdischarge status will be released, namely Auto Overdischarge Recovery Function.

Notice :

- ① When voltage of cell 1 and cell 2 lowers than overdischarge detection voltage (V_{DLn}) and stayed within overdischarge detection delay time (T_{OD}), the voltage of cell 1 and cell 2 increases higher than overdischarge detection voltage (V_{DLn}), it will not enter into overdischarge protection mode.
- ② The output type of OD pin is having "H" level of VDD and "L" level of VSS.

11.4. Discharge Overcurrent Status (Discharge Overcurrent & Short Circuit)

The IC continuously monitor discharge current by examining CS pin voltage when batteries under normal operation. Once the voltage of CS pin exceeds that of discharge overcurrent detection voltage (V_{DIP}) and this status lasts longer than discharge overcurrent delay time (T_{DIP}), and voltage output of OD pin changes from high potential to low potential, the MOSFET (OD pin) is disabled and discharge stopped. This status is called "Discharge Over-current Status".

When CS pin voltage excels short circuit detection voltage (V_{SIP}) and this status lasts longer than short circuit delay time (T_{SIP}), voltage output of OD pin changes from high potential to low potential. At this time, the MOSFET (OD pin) is disabled and discharge stopped. This status is called "Short Circuit Status".

Discharge over-current status and short current status is released while the connected impedance between PB+ and PB- is larger than 450k Ω (typ.).

Additionally, when charger is connected, even the impedance between PB+ and PB- lowers than 450k Ω (typ.) and CS pin voltage lowers than discharge overcurrent detection voltage (V_{DIP}), the discharge over-current status or short circuit status will still be released and back to normal operation mode.

11.5. Charge Overcurrent Status

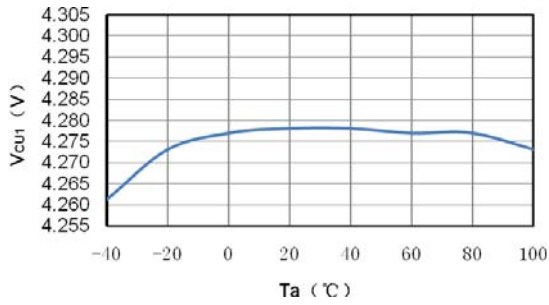
When CS pin voltage lowers than charge overcurrent detection voltage (V_{CIP}) and this status lasts longer than charge overcurrent delay time (T_{CIP}) during charge process of batteries under normal operation, OC pin voltage output will change from high potential to low potential. At this time, MOSFET (OC pin) is disabled and charge stopped. This status is called “Charge Overcurrent Status”.

If CS pin voltage increases higher than charge overcurrent detection voltage (V_{CIP}) by disconnecting charger after enter charge overcurrent status, the charge overcurrent status will be released and restore to normal operation mode.

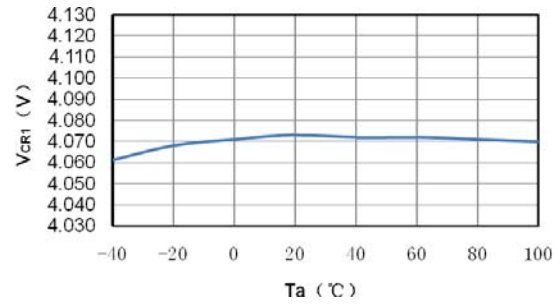
12. Characteristics (Typical Data)

12.1. Overcharge Detection / Release Voltage, Overdischarge Detection / Release Voltage, Overcurrent Detection Voltage, and Delay Time

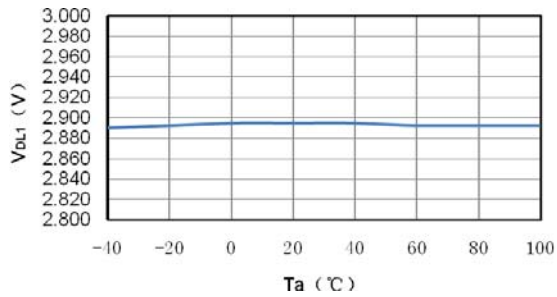
(1) V_{CU1} vs. T_a



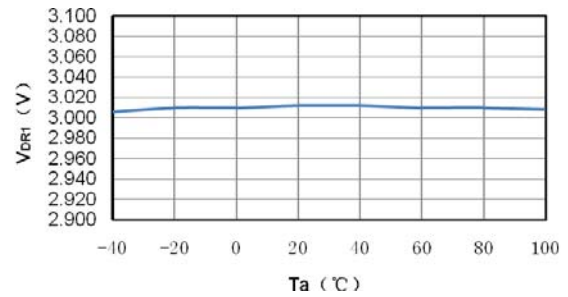
(2) V_{CR1} vs. T_a



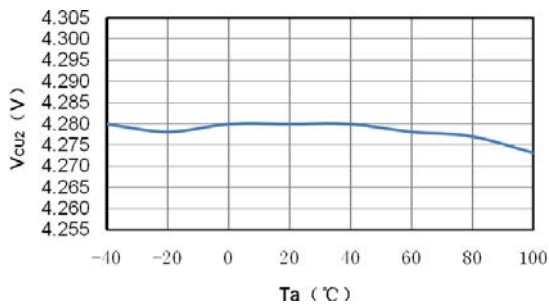
(3) V_{DL1} vs. T_a



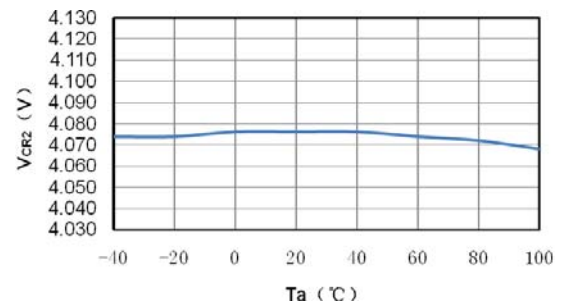
(4) V_{DR1} vs. T_a



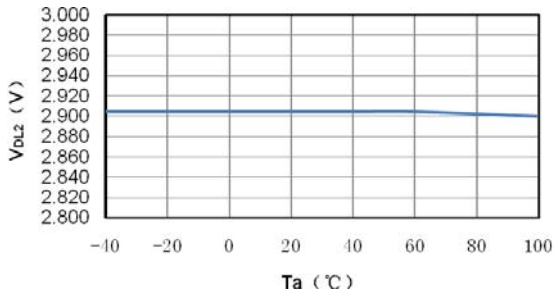
(5) V_{CU2} vs. T_a



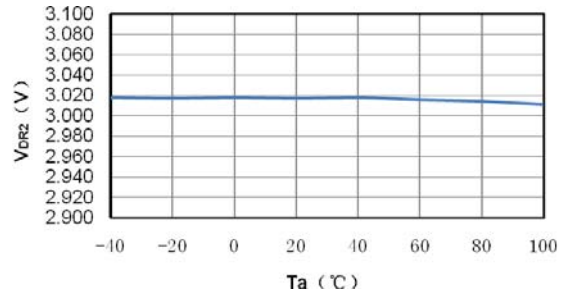
(6) V_{CR2} vs. T_a



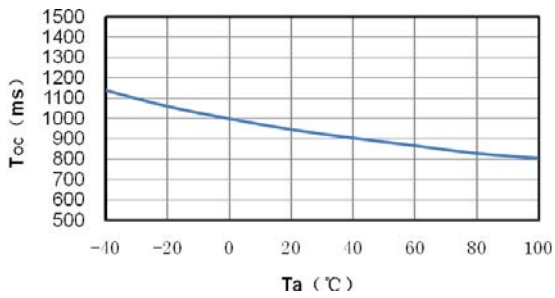
(7) V_{DL2} vs. T_a



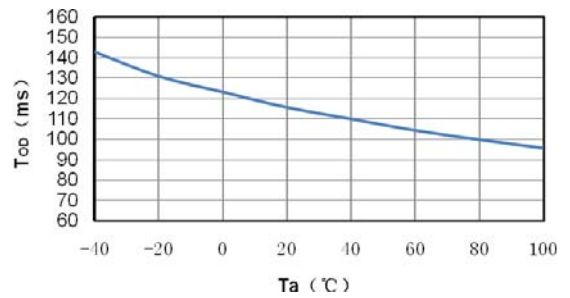
(8) V_{DR2} vs. T_a



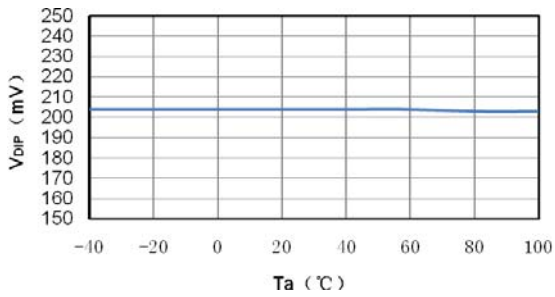
(9) T_{OC} vs. T_a



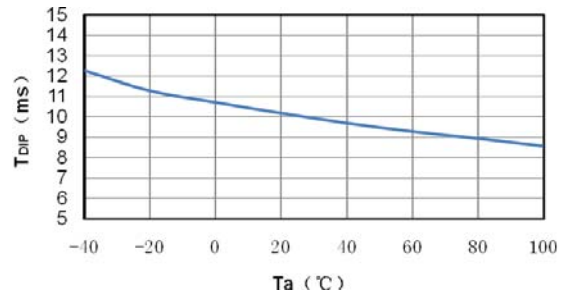
(10) T_{OD} vs. T_a



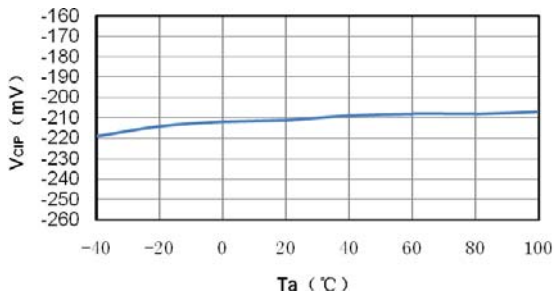
(11) V_{DIP} vs. T_a



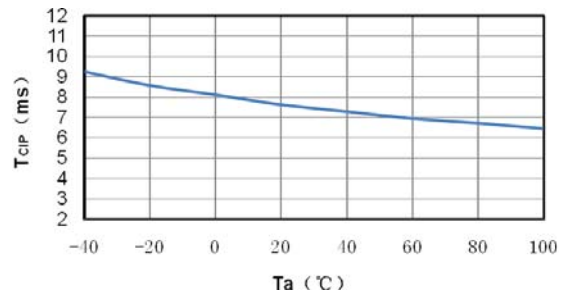
(12) T_{DIP} vs. T_a



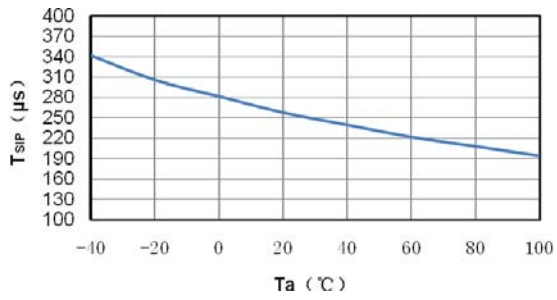
(13) V_{CIP} vs. T_a



(14) T_{CIP} vs. T_a

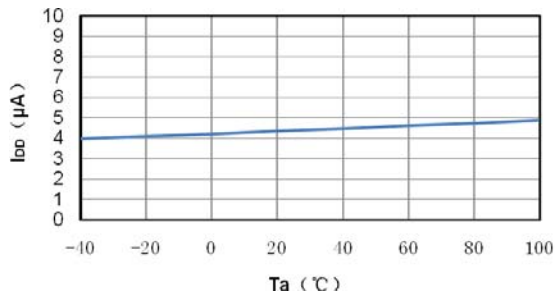


(15) T_{SIP} vs. T_a

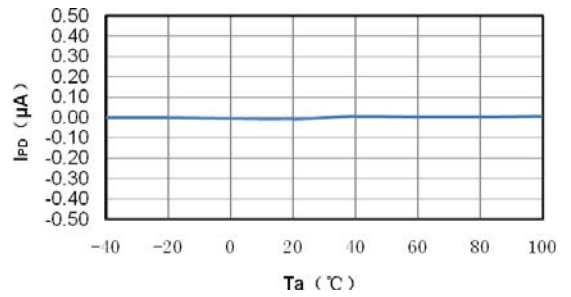


12.2. Current Consumption

(16) I_{DD} vs. T_a



(17) I_{PD} vs. T_a

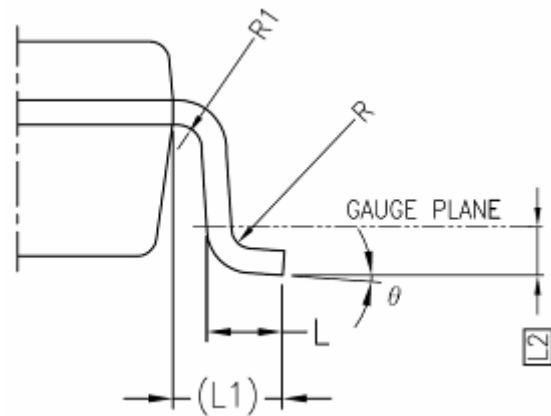
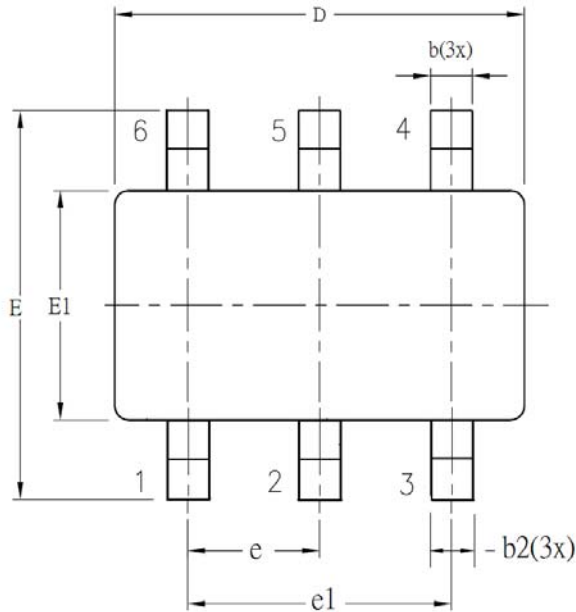


13. Package information

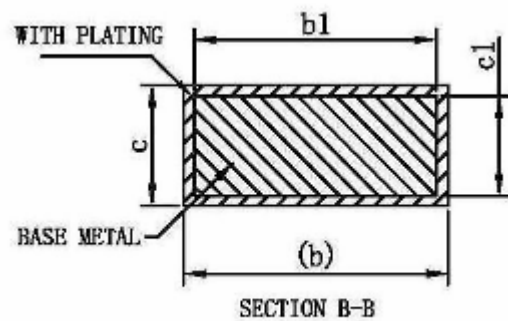
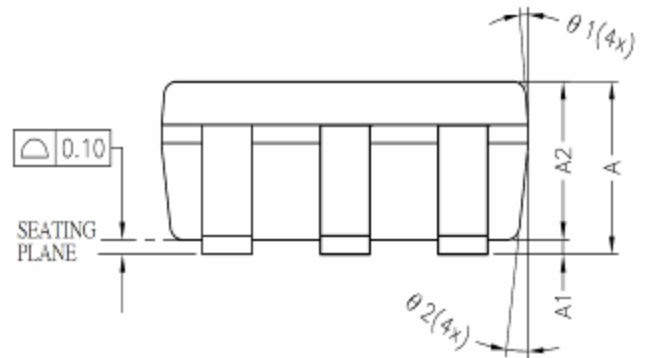
SOT-23-6 specifications.

13.1. SOT-23-6

NOTE: All dimensions are in millimeters.



SYM BOL	ALL DIMENSIONS IN MILLIMETERS		
	MINIMUM	NOMINAL	MAXIMUM
A	-	1.30	1.40
A1	0	-	0.15
A2	0.90	1.20	1.30
b	0.30	-	0.50
b1	0.30	0.40	0.45
b2	0.30	0.40	0.50
c	0.08	-	0.22
c1	0.08	0.13	0.20
D	2.90 BSC		
E	2.80 BSC		
E1	1.60 BSC		
e	0.95 BSC		
e1	1.90 BSC		
L	0.30	0.45	0.60
L1	0.60 REF		
L2	0.25 BSC		
R	0.10	-	-
R1	0.10	-	0.25
θ	0°	4°	8°
$\theta 1$	5°	-	15°
$\theta 2$	5°	-	15°

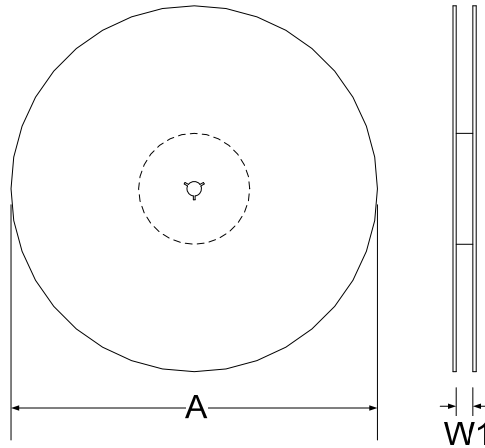


14. Tape & Reel Information

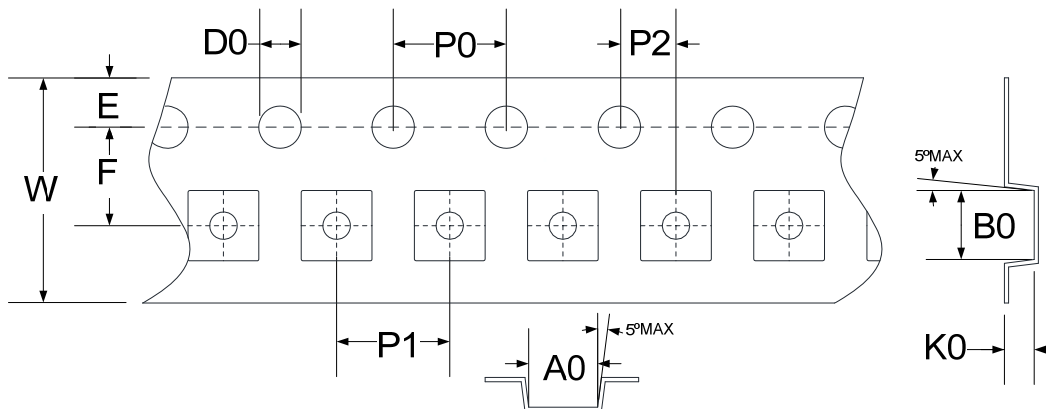
14.1. Tape & Reel Information---SOT-23-6 (Type 1)

Unit : mm.

14.1.1. Reel Dimensions



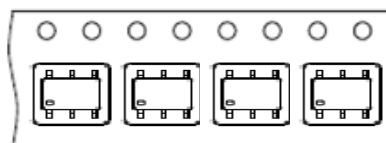
14.1.2. Carrier Tape Dimensions



SYMBOLS	Reel Dimensions		Carrier Tape Dimensions									
	A	W1	A0	B0	K0	P0	P1	P2	E	F	D0	W
Spec.	178	9.0	3.30	3.20	1.50	4.00	4.00	2.00	1.75	3.50	1.50	8.00
Tolerance	±0.50	+1.50/-0	±0.10	±0.10	±0.10	±0.10	±0.10	±0.05	±0.10	±0.05	+0.1/-0	±0.20

Note: 10 Sprocket hole pitch cumulative tolerance is ±0.20mm.

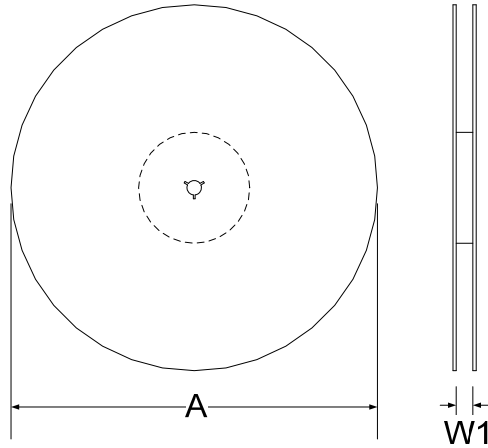
14.1.3. Pin1 direction



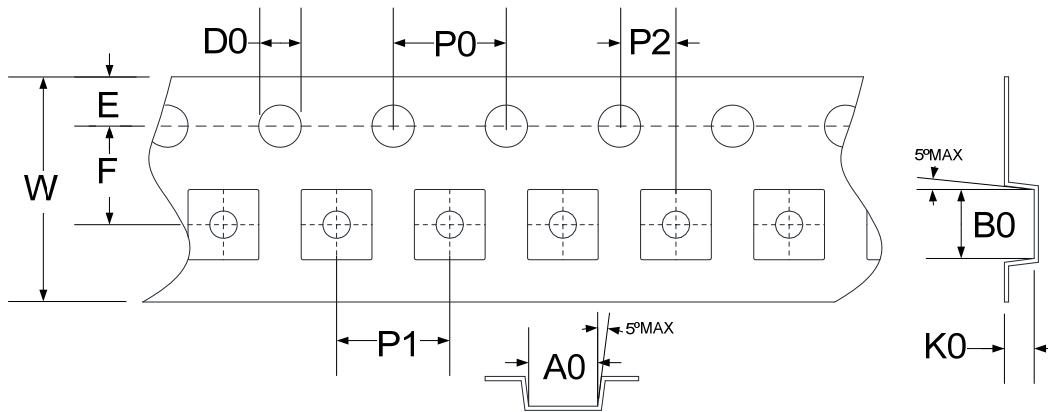
14.2. Tape & Reel Information---SOT-23-6 (Type 2)

Unit : mm.

14.2.1. Reel Dimensions



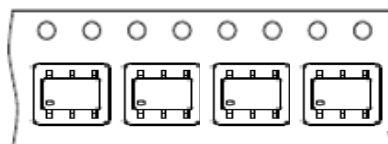
14.2.2. Carrier Tape Dimensions



SYMBOLS	Reel Dimensions		Carrier Tape Dimensions									
	A	W1	A0	B0	K0	P0	P1	P2	E	F	D0	W
Spec.	178	9.4	3.17	3.23	1.37	4.00	4.00	2.00	1.75	3.50	1.55	8.00
Tolerance	± 2.00	± 1.50	± 0.10	± 0.10	± 0.10	± 0.10	± 0.10	± 0.05	± 0.10	± 0.05	± 0.05	$+0.30/-0.10$

Note: 10 Sprocket hole pitch cumulative tolerance is ± 0.20 mm.

14.2.3. Pin1 direction



15. Revision record

Major differences are stated thereafter:

Version	Page	Revision Summary
V04	-	First Edition
V05	All	Add in new model no.:HY2120-CB
	17	Revise package size
V06	All	Add in new model no.:HY2120-DB
V07	All	Add in new model no.:HY2120-EB
V08	7	Revise SOT-23-6 package marking rule.
	14	Update “Characteristics (Typical Data)”
V09	All	Add in new model no.:HY2120-FB
V10	All	Add in new model no.:HY2120-GB
V11	All	Add in new model no.:HY2120-LB
V12	All	Add in new model no.:HY2120-HB
V13	All	Add in new model no.:HY2120-MB and HY2120-NB
V14	All	Add in new model no.:HY2120-OB
V15	All	Revise HY2120-HB VDR, Revise HY2120 characteristic code.
	20-21	Add in Tape and Reel information.

X-ON Electronics

Largest Supplier of Electrical and Electronic Components

Click to view similar products for [Battery Management](#) category:

Click to view products by [HYCON](#) manufacturer:

Other Similar products are found below :

[LV5117AV-TLM-H](#) [NCP1855FCCT1G](#) [FAN54063UCX](#) [MP2615GQ-P](#) [LC05132C01NMTTTG](#) [ISL78714ANZ](#) [CM1104-EH](#) [CM1104-DBB](#)
[CM1104-MBB](#) [XC6801A421MR-G](#) [ISL95521BHRZ](#) [MP2639AGR-P](#) [ISL95522AIRZ](#) [S-82D1AAE-A8T2U7](#) [S-82D1AAA-A8T2U7](#) [S-](#)
[8224ABA-I8T1U](#) [MC33772CTP2AE](#) [MP2615CGQ-P](#) [MC33772CTC0AE](#) [EA3036CQBR](#) [LP7804TSOF](#) [BQ25611DRTWR](#) [WS4518D-6/TR](#)
[MCP73830LT-0AAIMYY](#) [MCP73830T-2AAIMYY](#) [MCP73831-2DCIMC](#) [MCP73832-4ADI/MC](#) [MCP73832T-2DCIMC](#) [MCP73832T-](#)
[5ACI/MC](#) [MCP73833T-AMIMF](#) [MCP73833T-AMI/UN](#) [MCP73834-CNIMF](#) [MCP73834T-FCIMF](#) [MCP73837-NVIMF](#) [MCP73838-NVI/MF](#)
[LP4069QVF-435](#) [MCP73213-A6BI/MF](#) [MCP73831-2ACI/MC](#) [MCP73831T-2ATIMC](#) [MCP73831T-2DCIMC](#) [MCP73831T-5ACIMC](#)
[MCP73832-2ACI/MC](#) [MCP73832-2ATI/MC](#) [MCP73832-5ACI/MC](#) [MCP73832T-2ATIMC](#) [MCP73832T-3ACIMC](#) [MCP73833-BZIMF](#)
[MCP73833T-FCI/MF](#) [MCP73834-FCIMF](#) [MCP73834-GPIMF](#)