


MATERIAL OF THE PLASTIC BODY	POLYAMIDE PA6.6 HEAT STABILIZED
MATERIAL OF THE FASTON (6,3x0,8)	ZINC PLATED STEEL

Tolerances for linear dimensions

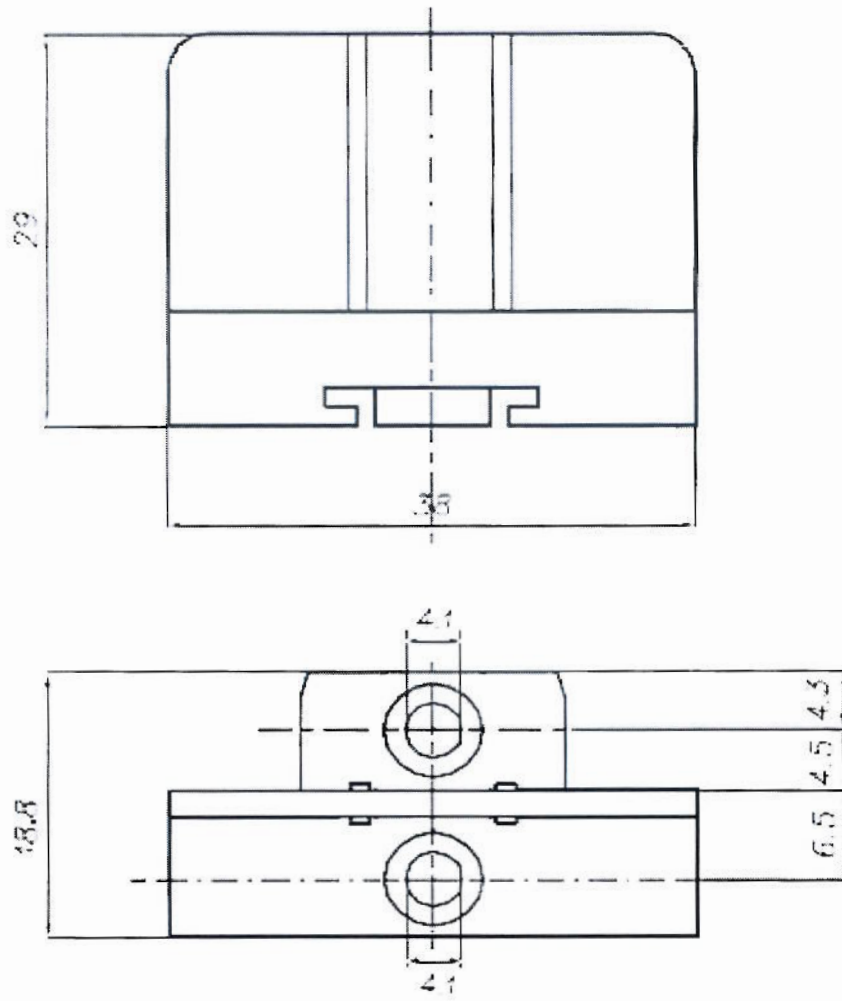
from - to mm	0.1	6	6.1	40	40.1	150	150	300	
	± 0.1		± 0.2		± 0.3		± 0.4		

DESCRIPTION	HY 508 F/F
-------------	------------

	DATE
	30.03.2017

HY508/6 F/F: Is a kit product consisting of:
 HY508 F/F x 6
 HY508/1 x 1

HY508/3 F/F: Is a kit product consisting of:
 HY508 F/F x 3
 HY508/1 x 1



MATERIAL OF THE PLASTIC BODY	POLYAMIDE PA6.6 HEAT STABILIZED

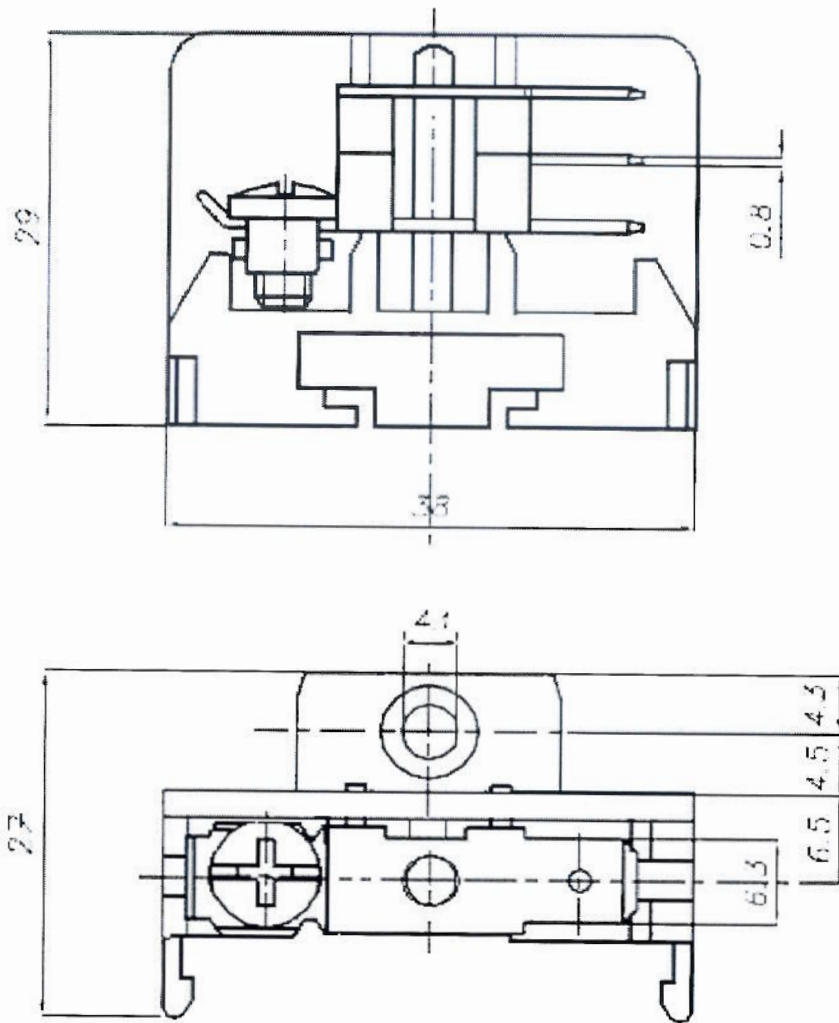
Tolerances for linear dimensions

from - to mm	0.1	6	6.1	40	40.1	150	150	300	
	± 0.1		± 0.2		± 0.3		± 0.4		

DESCRIPTION HY 508/1 END WALL



DATE
30.03.2017



MATERIAL OF THE PLASTIC BODY	POLYAMIDE PA6.6 HEAT STABILIZED
MATERIAL OF THE FASTON (6,3x0,8)	ZINC PLATED STEEL
MATERIAL OF THE SCREW (M4)	ZINC PLATED STEEL

Tolerances for linear dimensions

from - to mm	0.1	6	6.1	40	40.1	150	150	300	
	± 0.1		± 0.2		± 0.3		± 0.4		

DESCRIPTION HY 508 V/3F



DATE
30.03.2017

HY508/2 V/3F: Is a kit product consisting of:
HY508 V/3F x 2
HY508/1 x 1

HY508/3 V/3F: Is a kit product consisting of:
HY508 V/F x 3
HY508/1 x 1

X-ON Electronics

Largest Supplier of Electrical and Electronic Components

Click to view similar products for [Hylec manufacturer](#):

Other Similar products are found below :

[THB.387.D2A](#) [LN167001](#) [50.625 PA/3X7](#) [THB.406.A1G](#) [THB.387.A4A.R](#) [THB.405.A2B](#) [K151-1025-00](#) [THB.390.C1A](#) [K150-1032-00](#)
[THB.382.A1A-KIT](#) [THA.209.D1A](#) [50.616M/EMVDL-F](#) [K150-1063-00](#) [K160-1063-00](#) [GHG9601955R0004](#) [K151-1032-00](#) [K160-1016-00](#)
[THB110A6B-F](#) [1026010004-F](#) [DESTB-1003](#) [THK.404.X2A00-F](#) [THB.380.3ASSY](#) [THB.405.B2A](#) [THB.405.A2A](#) [THB.405.A2G](#)
[TTK25BK-SD-F](#) [6000302CC](#) [HY435/12 FV](#) [K150-1020-00](#) [50.620 ES](#) [K257-1012-00](#) [THB.384.B1A](#) [THB.387.D4A](#) [K160-1025-00](#)
[THB.387.C5A](#) [50.625 M/EMVDL-F](#) [K160-1040-00](#) [5625////1121](#) [6000337BC](#) [50.220 MPOT-F](#) [GHG9601955R0022](#) [THB.387.D5A](#)
[DEBOX SL](#) [THB.387.D3A](#) [THR.384.S3A](#) [THK.200.3T](#) [THB.387.A5A](#) [5665/221](#) [THB.399.E3A-KIT](#) [THB.381.M2A](#)