


MATERIAL OF THE PLASTIC BODY	POLYAMIDE PA6.6 HEAT STABILIZED
MATERIAL OF THE FASTON (6,3x0,8)	ZINC PLATED STEEL

Tolerances for linear dimensions

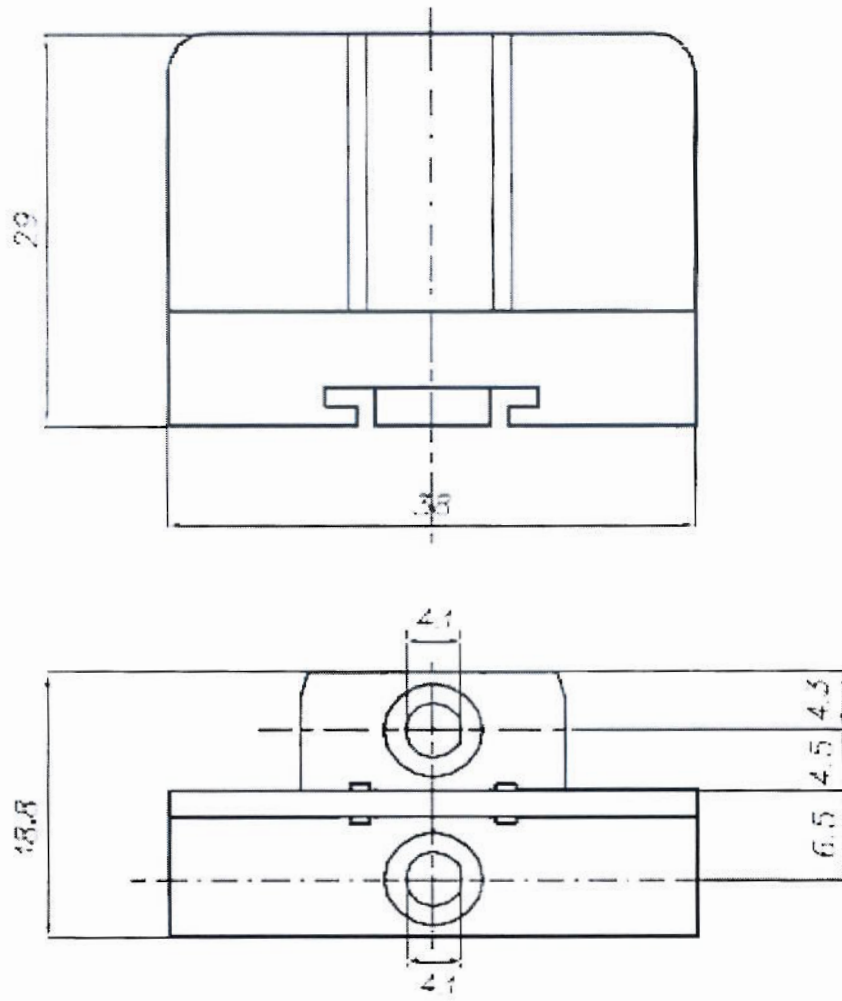
from - to mm	0.1	6	6.1	40	40.1	150	150	300	
	± 0.1		± 0.2		± 0.3		± 0.4		

DESCRIPTION HY 508 F/F

	<p>DATE</p> <p>30.03.2017</p>
---	-------------------------------

HY508/6 F/F: Is a kit product consisting of:
 HY508 F/F x 6
 HY508/1 x 1

HY508/3 F/F: Is a kit product consisting of:
 HY508 F/F x 3
 HY508/1 x 1



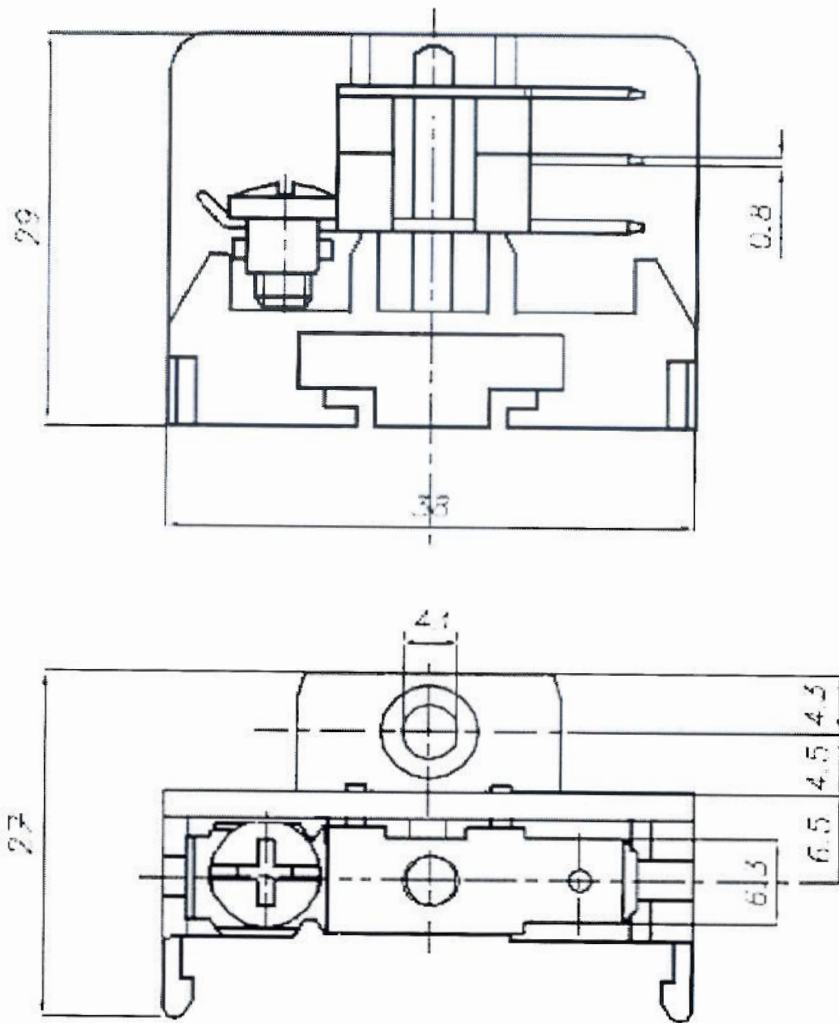
MATERIAL OF THE PLASTIC BODY	POLYAMIDE PA6.6 HEAT STABILIZED

Tolerances for linear dimensions

from - to mm	0.1	6	6.1	40	40.1	150	150	300	
	± 0.1		± 0.2		± 0.3		± 0.4		

DESCRIPTION HY 508/1 END WALL

 hylec	DATE 30.03.2017
--	--------------------



MATERIAL OF THE PLASTIC BODY	POLYAMIDE PA6.6 HEAT STABILIZED
MATERIAL OF THE FASTON (6,3x0,8)	ZINC PLATED STEEL
MATERIAL OF THE SCREW (M4)	ZINC PLATED STEEL

Tolerances for linear dimensions

from - to mm	0.1	6	6.1	40	40.1	150	150	300	
	± 0.1		± 0.2		± 0.3		± 0.4		

DESCRIPTION HY 508 V/3F



DATE
30.03.2017

HY508/2 V/3F: Is a kit product consisting of:
HY508 V/3F x 2
HY508/1 x 1

HY508/3 V/3F: Is a kit product consisting of:
HY508 V/F x 3
HY508/1 x 1

X-ON Electronics

Largest Supplier of Electrical and Electronic Components

Click to view similar products for [Hylec manufacturer](#):

Other Similar products are found below :

[THB.387.D2A](#) [LN167001](#) [50.625 PA/3X7](#) [THB.406.A1G](#) [THB.387.A4A.R](#) [THB.405.A2B](#) [K151-1025-00](#) [THB.390.C1A](#) [K150-1032-00](#)
[THB.382.A1A-KIT](#) [THA.209.D1A](#) [50.616M/EMVDL-F](#) [K150-1063-00](#) [K160-1063-00](#) [GHG9601955R0004](#) [K151-1032-00](#) [K160-1016-00](#)
[THB110A6B-F](#) [1026010004-F](#) [DESTB-1003](#) [THK.404.X2A00-F](#) [THB.380.3ASSY](#) [THB.405.B2A](#) [THB.405.A2A](#) [THB.405.A2G](#)
[TTK25BK-SD-F](#) [6000302CC](#) [HY435/12 FV](#) [K150-1020-00](#) [50.620 ES](#) [K257-1012-00](#) [THB.384.B1A](#) [THB.387.D4A](#) [K160-1025-00](#)
[THB.387.C5A](#) [50.625 M/EMVDL-F](#) [K160-1040-00](#) [5625////1121](#) [6000337BC](#) [50.220 MPOT-F](#) [GHG9601955R0022](#) [THB.387.D5A](#)
[DEBOX SL](#) [THB.387.D3A](#) [THR.384.S3A](#) [THK.200.3T](#) [THB.387.A5A](#) [5665/221](#) [THB.399.E3A-KIT](#) [THB.381.M2A](#)