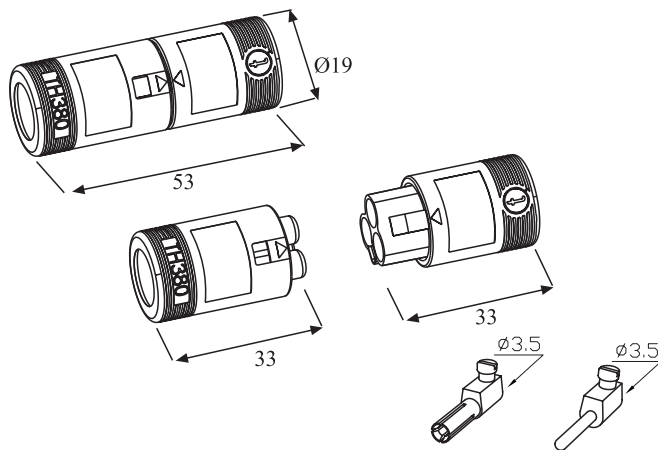




TH380

PATENTED IP20

2 -3 Poli



Connessione presa- spina 2-3 poli senza fissacavi, per uso interno. Facilità di cablaggio .Connessione a bussola o pin a crimpare oppure ibrida pin/bussola . Grado di protezione IP 20. Aggancio a clip.

2-3 poles plug-socket connection without cable clamp, indoor only. Easy wiring. Pin crimp or bush connection, or hybrid pin crimp/bush. IP20 protection.Clip clamping.

Dati tecnici - Technical data

25 A	2,5 [□]	IP20
400V	T 85 ° C	PTI175

Rated current **25 A**
 Impulse withstand voltage **6 kV**
 Range of temperature **0 - 85°C**
 Cable max **3G 2,5[□] H07RN-F**
 Proof tracking index **PTI175**

Materie prime - Raw materials

Materia plastica - Plastics

PA66 UL94 V2 GWT 850°C

	Nero - Black	} -20°C
	Grigio - Grey RAL 7035	
		+125°C

Bussole- Insert

M3 Acciaio zincato passivato
Zinc plated steel

} Ottone nichelato
Nickel plated brass
 } **AG=** Ottone Argentato
Silver plated brass

Pin - Crimp

> Solo parte plastica - Plastic part only

> Per pin cilindrici universali Ø 2

> For universal cylindric pin Ø 2

Norme - Standards

EN 61984-2001



Vedi TH023-See TH023



Codice - Part number

T H B . 3 8 0 . X X X

2 poli poles

frutti intercambiabili - interchangeable modules



PLUG

THB.380.A2A
THB.380.A2C
THB.380.A2A.AG
THB.380.A2C.AG

Nero - Black
 Grigio - Grey
 RAL 7035
 Nero - Black
 Grigio - Grey
 RAL 7035



POWER-SOCKET

THB.380.B2A
THB.380.B2C
THB.380.B2A.AG
THB.380.B2C.AG

Nero - Black
 Grigio - Grey
 RAL 7035
 Nero - Black
 Grigio - Grey
 RAL 7035



3 poli poles



PLUG

THB.380.A1A
THB.380.A1C
THB.380.A1A.AG
THB.380.A1C.AG

Nero - Black
 Grigio - Grey
 RAL 7035
 Nero - Black
 Grigio - Grey
 RAL 7035



POWER-SOCKET

THB.380.B1A
THB.380.B1C
THB.380.B1A.AG
THB.380.B1C.AG

Nero - Black
 Grigio - Grey
 RAL 7035
 Nero - Black
 Grigio - Grey
 RAL 7035



X-ON Electronics

Largest Supplier of Electrical and Electronic Components

Click to view similar products for [Wire Identification](#) category:

Click to view products by [Hylec](#) manufacturer:

Other Similar products are found below :

[CU6337-000](#) [CU6342-000](#) [FCA-410-12](#) [11631010](#) [1-1768037-1](#) [1-1768037-2](#) [1-1768050-0](#) [PXLK-VI](#) [Q62184-1](#) [A64304-000](#) [QMT221](#)
[HK032WE1NF038B](#) [1330-0519-10](#) [1395199-1](#) [1395200-1](#) [1395202-1](#) [DMVF050WE-300S6](#) [D-SCE-1K-2.4-50-4-CS7834](#) [1538738-1](#)
[E90935-000](#) [EC1238-000](#) [EC1465-000](#) [EC1855-000](#) [EC1859-000](#) [EC1863-000](#) [EC5415-000](#) [EC7277-000](#) [EC7352-000](#) [EC7603-000](#)
[EC7707-000](#) [EC7735-000](#) [EC7768-000](#) [EC7828-000](#) [EC7854-000](#) [EC7952-000](#) [EC8128-000](#) [1768037-8](#) [1768041-7](#) [NC-127191-10-9](#)
[HS048WE2NF038B](#) [C03232-000](#) [HTCM-SCE-14-4H-9](#) [HTMS-3/16-9](#) [HT-SCE-1/4-2.0-4](#) [HT-SCE-3/16-2.0-4](#) [HTTMS-1/2-1.50-9](#) [HTTMS-](#)
[CM-1/2-4H-9](#) [HX-SCE-19.0-50-9](#) [HX-SCE-6.4-50-4](#) [C25254-000](#)