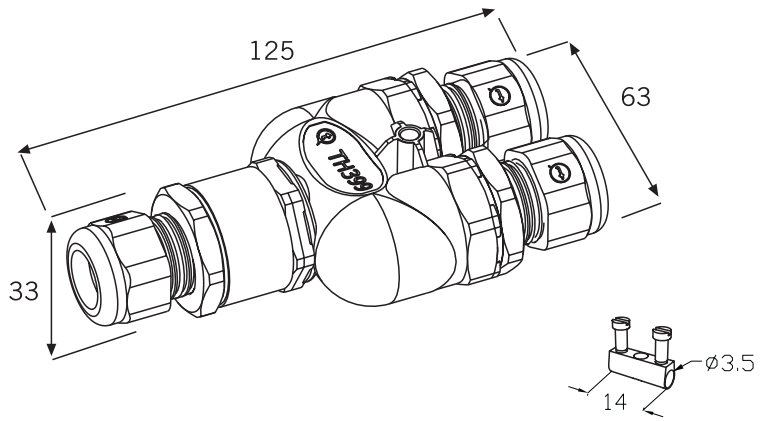




TH399

PATENTED IP68

2-3
Poli



Capacità di connessione fino a 6°
Connection capability up to 6°

Morsettiera lineare a 3 vie. Uscita a "Y" elevato grado IP.

Protected connection solution of the linear type with "Y" exit and high IP rate.

Dati tecnici - Technical data

250 V~

4 °

IP68
2 BAR

PTI 250

T85° C

Tipo di cavo utilizzabile in funzione della temperatura ambiente			
Temperatura ambiente Ambient temperature	Tipo di cavo utilizzabile Suitable cable	Sezione minima Smallest cross-sectional	Sezione massima Largest cross-sectional
T85	H05SS-F	3G1,5mm ² 5G1,5mm ²	3G 4mm ² 5G2,5mm ²

Coppia torsione Torque force	Tube-Corpo pressacavo Tube-Cable gland body	Corpo pressacavo-Dado Cable gland body-Nut
2-3 P	2.5 Nm \otimes 29	2.5 Nm \otimes 24

Materie prime - Raw materials

Materia plastica - Plastics

PA66 UL94 V2 GWT 850°C
PA66GF UL94 V0 GWT 960°C

■ Nero - Black

-20°C

+125°C

Gomme - Rubbers

Gommini- *sealing inserts*: TPE-V
Guarnizioni - *seals*: SILICONE *silicon*

Bussole- Insert

M3 Acciaio zincato passivato
Zinc plated steel

Ottone nichelato Nickel plated brass	Bussola cieca End barrier insert		1
	Bussola STD STD insert		2
	Bussola WP WP insert		3

Norme - Standards

EN60529:1991+A1:2000-
IP68:20MT-PROF;60 MIN
EN 60998-1:2004
EN 60998-2-1:2004



Codice - Part number

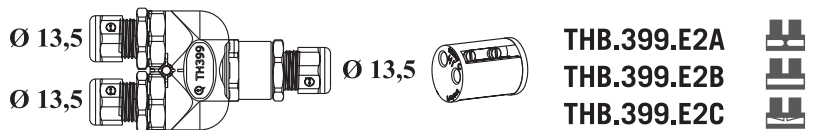
T H B . 3 9 9 . X X X

CORTO
SHORT

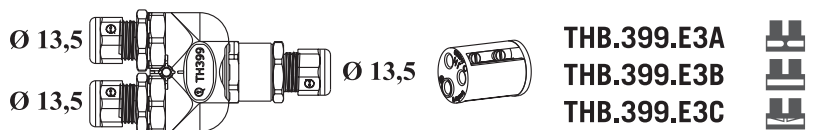
Min-Max Ø cavo - cable $\oplus \ominus$ Ø 5÷13,5 mm

3 VIE - 3 WAYS

2 poli-2 poles



3 poli-3 poles



Kit di fornitura non assemblato THB Unassembled kit THB

THB.399.XXX
*VERSIONE A LUNGA
LONG VERSION*

Min-Max Ø cavo - cable Ⓟ Ⓢ Ø 8÷17 mm

100 PZ 100 PZ 300 PZ 400 PZ 100 PZ

THB.399.EXX
*VERSIONE CORTA
SMALL VERSION*

Min-Max Ø cavo - cable Ⓟ Ⓢ Ø 5÷13,5 mm

200 PZ 200 PZ 600 PZ 800 PZ 200 PZ

Kit di fornitura assemblato THZ Assembled kit THZ

THZ.399.XXX

50 PZ 50 PZ

THZ.399.EXX

100 PZ 100 PZ

Kit di fornitura imbustati THR Fare riferimento a catalogo THR Retail packed kit THR Please refer to THR Retail Catalogue

THR.399.SXX

25 CONF 25 CONF

1 CONF
1 PZ

Kit di fornitura con versionamenti e confezionamenti speciali THK Special custom packed version THK

THK.399.XXX

PZ

Vedi istruzioni di assemblaggio
Refer to user instructions

X-ON Electronics

Largest Supplier of Electrical and Electronic Components

Click to view similar products for [Wire Identification](#) category:

Click to view products by [Hylec](#) manufacturer:

Other Similar products are found below :

[CU6337-000](#) [CU6342-000](#) [FCA-410-12](#) [11631010](#) [1-1768037-1](#) [1-1768037-2](#) [1-1768050-0](#) [PXLK-VI](#) [Q62184-1](#) [A64304-000](#) [QMT221](#)
[HK032WE1NF038B](#) [1330-0519-10](#) [1395199-1](#) [1395200-1](#) [1395202-1](#) [DMVF050WE-300S6](#) [D-SCE-1K-2.4-50-4-CS7834](#) [1538738-1](#)
[E90935-000](#) [EC1238-000](#) [EC1465-000](#) [EC1855-000](#) [EC1859-000](#) [EC1863-000](#) [EC5415-000](#) [EC7277-000](#) [EC7352-000](#) [EC7603-000](#)
[EC7707-000](#) [EC7735-000](#) [EC7768-000](#) [EC7828-000](#) [EC7854-000](#) [EC7952-000](#) [EC8128-000](#) [1768037-8](#) [1768041-7](#) [NC-127191-10-9](#)
[HS048WE2NF038B](#) [C03232-000](#) [HTCM-SCE-14-4H-9](#) [HTMS-3/16-9](#) [HT-SCE-1/4-2.0-4](#) [HT-SCE-3/16-2.0-4](#) [HTTMS-1/2-1.50-9](#) [HTTMS-](#)
[CM-1/2-4H-9](#) [HX-SCE-19.0-50-9](#) [HX-SCE-6.4-50-4](#) [C25254-000](#)