

Hyncdz[®]

承 认 书

APPROVING SHEET

CUSTOMER

客 户: _____

PART NAME : Chip-Aluminum Electrolytic Capacitor

品 名: 片式铝电解电容器

SERIES: _____

系 列: VT

SPECIFICATION: _____

规格: HY1A471MC063077ME0

DATE _____

日 期: _____

制 造		客 户	
MANUFACTURE		CUSTOMER	
拟 制 FORMULATE	批 准 APPROVAL	检 验 CHECK	批 准 APPROVAL
黄烈群	涂斯昌		

产品规格书 Product Specification

序号 No	目录 INDEX	页 page
1	概述 SCOPE	3
2	外形尺寸图及尺寸表 Case size table	3
3	技术性能 SPECIFICATIONS	4
4	称电容量、额定电压、额定纹波电流与外形尺寸对应表 Nominal capacitance, rated voltage, rated ripple current and case size table	5-6
5	构造图及材料表 Frame drawing and materials	7
6	试验方法及要求 TESTS	8-11
7	标志 Marking	12
8	片式铝电解电容的编带 V- Chip Type Aluminum Electrolytic Capacitors	13

一、概述 SCOPE

本产品规格书适用于 Shenzhen Hync Electronic Co., Ltd. VT 型片式铝电解电容器产品。

The product specification is adapted to series VT V-CHIP Aluminum Electrolytic Capacitors of Shenzhen Hync Electronic Co., Ltd.

二、外形图及尺寸表 Case size table



单位:mm

ITEM	4 × 5.4	5 × 5.4	6.3 × 5.4	6.3 × 7.7	6.3 × 10.5	8 × 10.5	8 × 12.5	10 × 10.5	10 × 12.5	12.5 × 13.5	12.5 × 16.5	16 × 16.5	18 × 16.5	18 × 21.5	
A	1.8	2.1	2.4	2.4	2.4	2.9	2.9	3.2	3.2	4.8	4.8	5.8	6.8	6.8	
B	4.3	5.3	6.6	6.6	6.6	8.3	8.3	10.3	10.3	13	13	17	19	19	
C	4.3	5.3	6.6	6.6	6.6	8.3	8.3	10.3	10.3	13	13	17	19	19	
E	1.0	1.3	2.2	2.2	2.2	3.1	3.1	4.5	4.5	4.4	4.4	6.4	6.4	6.4	
L	5.4	5.4	5.4	7.7	10.5	10.5	12.5	10.5	12.5	13.5	16.5	16.5	16.5	21.5	
H	0.5~0.8					0.8 ~ 1.1					1.1~1.4				

产品规格书 Product Specification

三、 技术性能 Specifications

项目 Items	特性 Characteristics										
工作温度范围 Operating Temperature Range	-40°C ~ 105°C										
额定电压范围 Rated Voltage Range	4V ~ 100V										
标称电容量范围 Nominal Capacitance Range	0.1 ~ 8200 μF										
标称电容量允许偏差 Nominal Capacitance Tolerance	±20% (20°C, 120HZ)										
漏电流 Leakage Current	$I \leq 0.01C_R V_R$ or $3(\mu A)$, 取较大者 (施加额定电压 2 分钟) C_R : 标称电容量 (μF) U_R : 额定电压 (V) $I \leq 0.01C_R V_R$ or $3(\mu A)$ whichever is greater (After 2 minutes' application of rated voltage) C_R : Nominal Capacitance (μF) U_R : Rated voltages (V)										
损耗角正切 (tg δ) Dissipation Factor (Max) 20°C, 120HZ	U_R (V)	4	6.3	10	16	25	35	50	63	80	100
	tg δ	0.35	0.28	0.24	0.20	0.16	0.14	0.12	0.12	0.12	0.12
	容量大于 1000uF 者, 每增加 1000uF, 其损耗角正切值增加 0.02 When nominal capacitance exceeds 1000uF, add 0.02 to the value above for each 1000uF increase										

产品规格书 Product Specification

四、称电容量、额定电压、额定纹波电流与外形尺寸对应表

Nominal capacitance, rated voltage, rated ripple current and case size table

V μF	4		6.3		10		16		25		35		50		
	D×L mm	I [~] mA	D×L mm	I [~] mA	D×L mm	I [~] mA	D×L mm	I [~] mA	D×L mm	I [~] mA	D×L mm	I [~] mA	D×L mm	I [~] mA	
0.1													4×5.4	2.3	
0.22													4×5.4	3.4	
0.33													4×5.4	4.1	
0.47													4×5.4	5	
1.0													4×5.4	10	
2.2													4×5.4	16	
3.3											4×5.4	13	4×5.4	16	
4.7										4×5.4	22	4×5.4	22	4×5.4	16
													5×5.4	23	
10							4×5.4	28		4×5.4	22	4×5.4	22	5×5.4	25
										5×5.4	28	5×5.4	30	6.3×5.4	32
22			4×5.4	29	4×5.4	28	4×5.4	28	5×5.4	32	5×5.4	45	6.3×5.4	35	
					5×5.4	30	5×5.4	39	6.3×5.4	55	6.3×5.4	60	6.3×7.7	51	
33	4×5.4	31	4×5.4	30	4×5.4	29			5×5.4	35					
			5×5.4	34	5×5.4	34	5×5.4	35		6.3×5.4	65	6.3×5.4	60	6.3×7.7	70
47	4×5.4	31	4×5.4	32	4×5.4	30	5×5.4	45	5×5.4	35	6.3×5.4	65			
			5×5.4	46	5×5.4	45	6.3×5.4	70	6.3×5.4	70	6.3×7.7	80	6.3×7.7	80	
68	4×5.4	35	5×5.4	46	5×5.4	46	6.3×5.4	70	6.3×5.4	70	6.3×7.7	80	6.3×7.7	80	
100	5×5.4	55	5×5.4	52	5×5.4	50	5×5.4	70	6.3×5.4	70	6.3×7.7	90			
			6.3×5.4	71	6.3×5.4	69	6.3×5.4	70	6.3×7.7	100	8×10.5	296	8×10.5	230	
150	6.3×5.4	95	6.3×5.4	90	6.3×5.4	70	6.3×7.7	120	8×10.5	280	8×10.5	300	10×10.5	300	
220	6.3×5.4	100	6.3×5.4	95	6.3×5.4	95	6.3×5.4	120	6.3×7.7	120	8×10.5	320			
			6.3×7.7	120	6.3×7.7	120	6.3×7.7	120	8×10.5	320	10×10.5	435	10×10.5	375	
330	6.3×7.7	140	6.3×7.7	130	6.3×7.7	130			8×10.5	320					
			8×10.5	290	8×10.5	305	8×10.5	305		450	10×10.5	450	10×10.5	400	
470	6.3×7.7	150	6.3×7.7	140	6.3×7.7	140			8×10.5	330	10×10.5	480			
			8×10.5	330	8×10.5	340	8×10.5	340		490	12.5*13.5	530	12.5×13.5	490	
680	8×10.5	340	8×10.5	335	8×10.5	380	10×10.5	450	10×10.5	500	12.5×13.5	600	16×16.5	750	
1000	8×10.5	350	8×10.5	340	8×10.5	350			10×10.5	550	12.5×13.5	550	16×16.5	800	18×16.5
					10×10.5	410	10×10.5	550							
1500	10×10.5	500	10×10.5	475	12.5×13.5	600	12.5×13.5	650	12.5×16.5	650	16×16.5	900			
2200			12.5×13.5	680	12.5×13.5	680	16×16.5	900	16×16.5	900	18×16.5	1050			
3300			12.5×16.5	850	16×16.5	950	16×16.5	950	18×16.5	1150					
4700			16×16.5	1000	16×16.5	1000	18×16.5	1225	18×21.5	1300					
6800			18×16.5	1290	18×16.5	1290									
8200			18×21.5	1450	18×21.5	1450									

I[~]=Rated ripple current (mA) (105°C, 120HZ) I[~]=额定纹波电流 (mA) (105°C, 120HZ)

产品规格书 Product Specification

Nominal capacitance, rated voltage, rated ripple current and case size table

V μF	63		80		100	
	D×L mm	I _r mA	D×L mm	I _r mA	D×L mm	I _r mA
0.1	4×5.4	1.0				
0.22	4×5.4	2.3				
0.33	4×5.4	3.5				
0.47	4×5.4	5.0				
1.0	4×5.4	8			4×5.4	10
2.2	4×5.4	12			5×5.4	32
3.3	4×5.4	20			5×5.4	35
4.7	5×5.4	25			5×5.4	40
					6.3×5.4	45
10	6.3×5.4	42			6.3×5.4	55
					6.3×7.7	60
22	6.3×7.7	50	8×10.5	100	8×10.5	80
33	8×10.5	90	8×10.5	100	8×10.5	90
47	8×10.5	100	10×10.5	150	8×10.5	100
					10×10.5	130
100	10×10.5	150	10×10.5	180	12.5×13.5	220
150	10×10.5	170	12.5×13.5	280	16×16.5	240
	12.5×13.5	205				
220	10×10.5	205	16×16.5	410	16×16.5	410
	12.5×13.5	250				
330	12.5×16.5	300	16×16.5	510	18×16.5	520
470	16×16.5	450	18×16.5	560		
680	18×16.5	600				
1000	18×21.5	800				

I_r=Rated ripple current (mA) (105°C, 120HZ) I_r=额定纹波电流 (mA) (105°C, 120HZ)

五、构造图及材料表 Frame drawing and materials

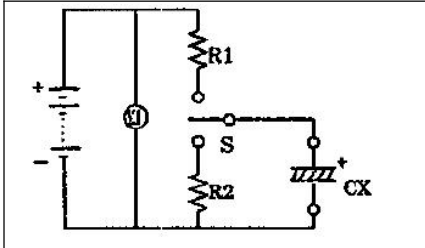
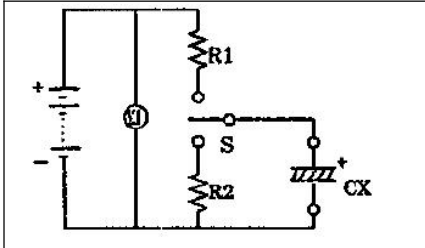
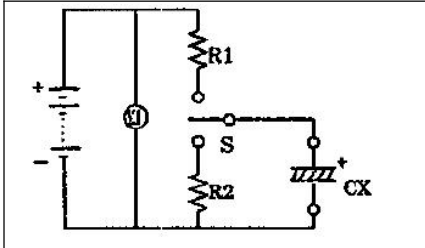


序号 No.	部件名称 Parts	材料名称 Material	主要供应厂家名称 Main supply Factory
1	引出线	铝线 LG3+镀锡铜钢线 AL- wire LG3+Tin- plating of copper cover steel	南通全用电子工业有限公司 NANTONG GENENIC ELECTRONIC INDUSTRY CO., LTD
2	橡胶塞	丁基橡胶 IIR rubber	苏州毅丰橡胶工业有限公司 YUFENG RUBBER INDUSTRY CO, LTD.
3	PE 铝壳 PE- CASE	99.5%纯度铝 AL - 99.5%	韶关源康机电有限公司 SHAOGUAN YUANKANG ELECTRICAL CO., LTD
4	阳极箔 AL - foil(+)	99.99%或 99.98%形成铝 箔 Formed AL 99.98% or 99.98%	杰希希电子科技(常熟)有限公司 JCC ELECTRONICS TECHNOLOGY (CHANGSHU) CO., LTD
5	阴极箔 AL - foil(-)	99.7%铝箔 Etched AL 99.7%	博罗冠业电子有限公司 AFT ELECTRONIC CO. LTD. BOLUO
6	电解纸 Separstor paper	电解电容器纸 Electrolytic Capacitor paper	上海铃茂新能源科技有限公司(大福) DAI FUKU PAPER MFG. CO, LTD
7	座板 BASE	PPS	南通新联电子有限公司 NANTONG Xinlian ELECTRONIC CO. LTD.

六、试验方法及要求 Tests

1	系列号(SERIES)	VT 系列(VT SERIES)										
2	额定电压 (rated voltage)	4~100V										
3	工作温度范围 Operating temperature range operating	工作温度范围是指电容器在额定电压下能持续工作的所允许外部环境的温度范围 operating temperature range is the range of ambient temperature at which the capacitor can be operated continuously at rated voltage SPEC:-40~+105°C										
4	电容容量 capacitance	测量等效电路图 measuring circuit equivalent series circuit										
		测量温度 20°C		measuring temperature								
		测量频率 120HZ		measuring frequency								
		测量电压 0.5Vrms		measuring voltage								
	标称电容容量允许偏差:±20% MAX	Nominal Capacitance Tolerance:±20% MAX										
5	损耗角正切 tangent of the loss angle	损耗角正切的测量应要和测量电容容量一样的条件下进行 Measurement should be made under the same conditions as those given for the measurement of capacitance SPEC:										
	损耗角正切 (tg δ)	U _r (V)	4	6.3	10	16	25	35	50	63	80	100
		tg δ	0.35	0.28	0.24	0.20	0.16	0.14	0.12	0.12	0.12	0.12
6	漏电流 leakage current	将额定电压加在电容和 1000±100Ω 的保护电阻上。在充电 2 分钟后, 按下列等式计算漏电流 the rated voltage shall be applied across the capacitor and its protective resistor which shall be 1000±100Ω. The leakage current shall be then measured after an electrifications period of (A)min. The leakage current shall be calculated by the following equation 在加上额定电压一定时间后, 应满足下列要求: I≤0.01CV or 3μA Which is greater(取较大者)(20°C, 2 分钟) SPEC: The following specifications shall be satisfied when the rated voltage is applied for the required time.										
7	允许最大纹波电流 Maximum permissible ripple current	在规定的某一频率下的最大交流电流, 在该电流下电容器连续工作。即使在测过第 16 项下的耐久性后, 此要求仍要满足。在此, DC 电压加上最大纹波电压小于等于额定电压。 The maximum sinusoidal alternating current of a frequency specified below, at which the capacitor can be operated continuously. This requirement shall be satisfied even after the measurement of clause 16(electrical endurance) Where(DC voltage +peak ripple voltage)≤rated voltage										

接上表

8	温度特性 Characteristics of temperature	<table border="1"> <thead> <tr> <th>步骤 step</th> <th>温度 temperature</th> <th>持续时间 Duration</th> </tr> </thead> <tbody> <tr> <td>1</td> <td>20±2℃</td> <td>15 分钟 15 min</td> </tr> <tr> <td>2</td> <td>最低工作温度 minimum operating temperature</td> <td>2 小时 2 hours</td> </tr> <tr> <td>3</td> <td>20±2℃</td> <td>15 分钟 15 min</td> </tr> <tr> <td>4</td> <td>最高工作温度 maximum operating temperature</td> <td>2 小时 2 hours</td> </tr> </tbody> </table> <p>步骤 1: 测量容量, 损耗角正切和阻抗 Step1: Capacitance, tangent of the loss angle impedance shall be measured.</p> <p>步骤 2: 在电容器存放 2 小时后, 测量容量, 损耗角正切和阻抗 Step2: After the capacitor being stored for 2hours, Capacitance, tangent of the loss angle and impedance shall be measured.</p> <p>步骤 3: 电容器在 20±2℃下存放 15 分钟 Step3: The capacitor being stored fro 15min at20±2℃</p> <p>步骤 4: 在电容器存放 2 小时后, 测量容量和漏电流。 Step4: After the capacitor being stored for 2hours, capacitance and leakage current shall be measured</p> <table border="1"> <thead> <tr> <th>额定电压 rated voltage</th> <th>4</th> <th>6.3</th> <th>10</th> <th>16</th> <th>25</th> <th>35</th> <th>50</th> <th>63</th> <th>80</th> <th>100</th> </tr> </thead> <tbody> <tr> <td>Z(-25℃/Z(+20℃)</td> <td>7</td> <td>4</td> <td>3</td> <td>2</td> <td>2</td> <td>2</td> <td>2</td> <td>2</td> <td>2</td> <td>2</td> </tr> <tr> <td>Z(-40℃/Z(+20℃)</td> <td>15</td> <td>8</td> <td>6</td> <td>4</td> <td>4</td> <td>3</td> <td>3</td> <td>3</td> <td>3</td> <td>3</td> </tr> </tbody> </table>	步骤 step	温度 temperature	持续时间 Duration	1	20±2℃	15 分钟 15 min	2	最低工作温度 minimum operating temperature	2 小时 2 hours	3	20±2℃	15 分钟 15 min	4	最高工作温度 maximum operating temperature	2 小时 2 hours	额定电压 rated voltage	4	6.3	10	16	25	35	50	63	80	100	Z(-25℃/Z(+20℃)	7	4	3	2	2	2	2	2	2	2	Z(-40℃/Z(+20℃)	15	8	6	4	4	3	3	3	3	3
		步骤 step	温度 temperature	持续时间 Duration																																														
		1	20±2℃	15 分钟 15 min																																														
		2	最低工作温度 minimum operating temperature	2 小时 2 hours																																														
		3	20±2℃	15 分钟 15 min																																														
4	最高工作温度 maximum operating temperature	2 小时 2 hours																																																
额定电压 rated voltage	4	6.3	10	16	25	35	50	63	80	100																																								
Z(-25℃/Z(+20℃)	7	4	3	2	2	2	2	2	2	2																																								
Z(-40℃/Z(+20℃)	15	8	6	4	4	3	3	3	3	3																																								
9	浪涌测试 Surge test	<p>在规定温度下, 循环测试 1000 次, 每次充电 30±5 秒, 在放电大约 5 分 30 秒。在标准温度条件下存放使其稳定, 然后测试。</p> <p>The capacitor shall be subjected to 1000cycles at a temperature specified below, each consisting of a charge period of 30±5sec, followed by a discharge period of approx. 5min30sec. And the capacitor shall be stored under standard conditions thermal to obtain stability,after which measurements shall be made.</p> <p>measurement circuit(测试电路图)</p> <table border="1"> <tr> <td rowspan="4">  </td> <td>VS:浪涌电压 Surge voltage</td> <td>V1:直流电压 DC voltmeter</td> </tr> <tr> <td>R1:保护电阻 (1KΩ) Protective series resistor</td> <td>R2:放电电阻器 Discharge resistor</td> </tr> <tr> <td>CX:测试电容 Test capacitor</td> <td>S:开关 Switch</td> </tr> <tr> <td colspan="2"></td> </tr> </table> <p>SPEC: 1) $\Delta C/C \leq 15\%$ 2) $\text{tg } \delta < \text{规定值}$ 3) 电压</p> <table border="1"> <thead> <tr> <th>RATED VOLTAGE (V_{DC})</th> <th>4</th> <th>6.3</th> <th>10</th> <th>16</th> <th>25</th> <th>35</th> <th>50</th> <th>63</th> <th>80</th> <th>100</th> </tr> </thead> <tbody> <tr> <td>SURGE VOLTAGE (V_{DC})</td> <td>5</td> <td>8</td> <td>11.5</td> <td>19</td> <td>28</td> <td>42</td> <td>58</td> <td>72</td> <td>92</td> <td>115</td> </tr> </tbody> </table>		VS:浪涌电压 Surge voltage	V1:直流电压 DC voltmeter	R1:保护电阻 (1KΩ) Protective series resistor	R2:放电电阻器 Discharge resistor	CX:测试电容 Test capacitor	S:开关 Switch			RATED VOLTAGE (V _{DC})	4	6.3	10	16	25	35	50	63	80	100	SURGE VOLTAGE (V _{DC})	5	8	11.5	19	28	42	58	72	92	115																	
				VS:浪涌电压 Surge voltage	V1:直流电压 DC voltmeter																																													
				R1:保护电阻 (1KΩ) Protective series resistor	R2:放电电阻器 Discharge resistor																																													
				CX:测试电容 Test capacitor	S:开关 Switch																																													
RATED VOLTAGE (V _{DC})	4	6.3	10	16	25	35	50	63	80	100																																								
SURGE VOLTAGE (V _{DC})	5	8	11.5	19	28	42	58	72	92	115																																								

接上表

10	端子强度 Terminal strength	<p>1) 拉力(tensile)</p> <table border="1" data-bbox="464 333 1447 510"> <thead> <tr> <th>d(mm)</th> <th>[N]</th> <th>Duration time</th> </tr> </thead> <tbody> <tr> <td>0.3<d≤0.5</td> <td>5</td> <td rowspan="3">10±2sec(秒)</td> </tr> <tr> <td>0.5<d≤0.8</td> <td>10</td> </tr> <tr> <td>0.8<d≤1.25</td> <td>20</td> </tr> </tbody> </table> <p>2) 抗弯强度 (Bending) 端子应该在每一方向上折弯一次，总共两次 The terminal shall be subjected to 1 bend in each direction to give a total 2 bends.</p> <table border="1" data-bbox="464 674 1447 848"> <thead> <tr> <th>d(mm)</th> <th>[N]</th> </tr> </thead> <tbody> <tr> <td>0.3<d≤0.5</td> <td>2.5 (0.25KG)</td> </tr> <tr> <td>0.5<d≤0.8</td> <td>5.0 (0.51KG)</td> </tr> <tr> <td>0.8<d≤1.25</td> <td>10.0(1.0KG)</td> </tr> </tbody> </table> <p>端子没有破损或松动 SPEC: No breaking and loosening of terminal</p>	d(mm)	[N]	Duration time	0.3<d≤0.5	5	10±2sec(秒)	0.5<d≤0.8	10	0.8<d≤1.25	20	d(mm)	[N]	0.3<d≤0.5	2.5 (0.25KG)	0.5<d≤0.8	5.0 (0.51KG)	0.8<d≤1.25	10.0(1.0KG)
d(mm)	[N]	Duration time																		
0.3<d≤0.5	5	10±2sec(秒)																		
0.5<d≤0.8	10																			
0.8<d≤1.25	20																			
d(mm)	[N]																			
0.3<d≤0.5	2.5 (0.25KG)																			
0.5<d≤0.8	5.0 (0.51KG)																			
0.8<d≤1.25	10.0(1.0KG)																			
11	可焊性 solderability	<p>焊料(Solder) : H60A. H60S or(或)H63A 焊接温度(Solder temperature) : 245±2℃ 浸入时间(Immersion time) : 3±0.5sec(秒) 浸入深度(Immersion depth) : 2mm 熔化: 松香在酒精的浓度是 25% Flux: 25% by weight of rosin in ethanol 从含浸处到顶部，至少要有 3/4 的部分覆盖有新焊料 SPEC:1)3/4 of the circumference of the surface up to the immersed shall be covered with new solder.</p>																		
12	耐焊接热 Resistance to soldering heat	<p>焊料(Solder) : H60A. H60S or(或)H63A 焊槽温度(Solder temperature) : 260±5℃(or 或 350±10℃ 浸入时间(Immersion time) : 10±1sec(秒) (or 或 3.5±0.5sec) 绝热屏蔽板的厚度 (Thickness of heat shunt:1.6mm) : 1.6mm SPEC:1) 电容量变化 Change in capacitance: ±10%初始值以内 Within±10% of the initial value 2) 损耗角正切 tangent of the loss angle: 小于等于初始规定值 The initial specified value or less 3) 漏电流 leakage current: 小于等于初始规定值 The initial specified value or less</p>																		
13	抗振性 Vibration	<p>试验电容器的耐振性。在整个频率范围内，从 10 赫兹到 55 赫兹，然后再返回到 10 赫兹，就这样在一分钟内往返循环。振幅为 1.5mm。在三个垂直方向上，每一方向要持续 2 小时，总共 6 小时 Only endurance conditioning by sweeping shall be made. The entire frequency range, from 10 to 55VT and return to 10VT, shall be transversed in 1min. Amplitude(total excursion)1.5mm, This motion shall be applied for a period of 2hours in each of 3 mutually perpendicular directions(a total of 6 hours) SPEC:1) 电容量的变化(change in capacitance): ±5%初始值以内(within ±5%of the initial value) 2) 无可见损伤(No visible damage)</p>																		

产品规格书 Product Specification

接上表

14	<p>稳态湿热 Damp heat</p>	<p>电容器要在温度 $40\pm 2^{\circ}\text{C}$，相对湿度 90%到 95%条件下存放 240 ± 8 个小时。然后在标准条件下放 1 到 2 小时后进行测量。</p> <p>the capacitor shall be stored at a temperature of $40\pm 2^{\circ}\text{C}$ and relative humidity of 90 to 95% for 240 ± 8 hours. And then the capacitor shall be subjected to standard atmospheric conditions for 1 to 2 hours, after which measurements shall be made</p> <p>SPEC:1) 电容量的变化 change in capacitance: $\pm 15\%$初始值以内 within $\pm 15\%$ of the initial value;</p> <p>2) 损耗角正切 tangent of loss angle: 小于等于初始规定值 The initial specified value or less;</p> <p>3) 漏电流 leakage current: 小于等于初始规定值 The initial specified value or less</p>
15	<p>高温储存 shelf life</p>	<p>在 105°C 温度下不外加电压贮存，电容器存放 1000 小时。然后在标准条件下放 1 到 2 小时后进行测量，并且在测漏电流前，必须满足下列条件。The capacitor shall be stored at 105°C temperature specified below for 1000 hours. During which time no voltage shall be applied. And then the capacitor shall be subjected to standard atmospheric conditions for 1 to 2 hours, after which measurements shall be made, Prior to the measurement of leakage current, following conditioning may be made.</p> <p>SPEC:1) 电容量的变化 change in capacitance: $\pm 20\%$初始值以内 within $\pm 20\%$ of the initial value; ($\leq 16\text{V}$: $\pm 25\%$初始值以内) ($\leq 16\text{V}$: within $\pm 25\%$ of the initial value);</p> <p>2) 损耗角正切 tangent of loss angle: $\pm 200\%$初始规定值以内 within $\pm 200\%$ of the initial value;</p> <p>3) 漏电流 leakage current: 小于等于初始规定值 The initial specified value or less</p>
16	<p>耐久性 load life</p>	<p>在 $105\pm 2^{\circ}\text{C}$ 下，电容器加额定电压 2000 小时。在标准条件下放 1 到 2 小时后进行测量。The rated voltage shall be applied continuously to the capacitor at maximum operating temperature $105\pm 2^{\circ}\text{C}$ for 2000 hours. And then the capacitor shall be subjected to standard atmospheric conditions for 1 to 2 hours, after which measurement shall be made.</p> <p>SPEC:1) 电容量的变化 change in capacitance: $\pm 20\%$初始值以内 within $\pm 20\%$ of the initial value; ($\leq 16\text{V}$: $\pm 25\%$初始值以内) ($\leq 16\text{V}$: within $\pm 25\%$ of the initial value);</p> <p>2) 损耗角正切 tangent of loss angle: $\pm 200\%$初始规定值以内 within $\pm 200\%$ of the initial value;</p> <p>3) 漏电流 leakage current: 小于等于初始规定值 The initial specified value or less</p>

七、标志 Marking (见外形图及尺寸表)

说明: 标识中的“VT”是 Shenzhen Hync Electronic Co., Ltd. VT 型贴片产品的专属标识。

Information: The mark of “VT” is the special mark of VT for SMD Type of Shenzhen Hync Electronic Co., Ltd.

八、铝电解电容器产品编码体系表

Product symbol system for Aluminum Electrolytic Capacitors

1	2	3	4	5	6	7	8	9	10	11	12	13	14	15	16	17	18																																																																																																																																																																																																																																																																										
Brand Code		Voltage (WV)		Capacitance (μF)			Tolerance		Size Code			Series Code		Base		Other																																																																																																																																																																																																																																																																											
<table border="1" style="font-size: small;"> <tr><th>Brand</th><th>Code</th></tr> <tr><td>HYNCDZ</td><td>HY</td></tr> </table>		Brand	Code	HYNCDZ	HY	<table border="1" style="font-size: small;"> <tr><th>Voltage</th><th>Code</th></tr> <tr><td>4</td><td>OQ</td></tr> <tr><td>6.3</td><td>0J</td></tr> <tr><td>10</td><td>1A</td></tr> <tr><td>16</td><td>1C</td></tr> <tr><td>25</td><td>1E</td></tr> <tr><td>35</td><td>1V</td></tr> <tr><td>50</td><td>1H</td></tr> <tr><td>63</td><td>1J</td></tr> <tr><td>80</td><td>1K</td></tr> <tr><td>100</td><td>2A</td></tr> <tr><td>125</td><td>2B</td></tr> <tr><td>160</td><td>2C</td></tr> <tr><td>180</td><td>2Z</td></tr> <tr><td>200</td><td>2D</td></tr> <tr><td>220</td><td>2P</td></tr> <tr><td>250</td><td>2E</td></tr> <tr><td>315</td><td>2F</td></tr> <tr><td>330</td><td>2U</td></tr> <tr><td>350</td><td>2V</td></tr> <tr><td>400</td><td>2G</td></tr> <tr><td>420</td><td>2M</td></tr> <tr><td>450</td><td>2W</td></tr> <tr><td>500</td><td>2H</td></tr> </table>		Voltage	Code	4	OQ	6.3	0J	10	1A	16	1C	25	1E	35	1V	50	1H	63	1J	80	1K	100	2A	125	2B	160	2C	180	2Z	200	2D	220	2P	250	2E	315	2F	330	2U	350	2V	400	2G	420	2M	450	2W	500	2H	<table border="1" style="font-size: small;"> <tr><th>Cap (μF)</th><th>Code</th></tr> <tr><td>0.1</td><td>0R1</td></tr> <tr><td>0.22</td><td>R22</td></tr> <tr><td>0.33</td><td>R33</td></tr> <tr><td>0.47</td><td>R47</td></tr> <tr><td>1</td><td>010</td></tr> <tr><td>2.2</td><td>2R2</td></tr> <tr><td>3.3</td><td>3R3</td></tr> <tr><td>4.7</td><td>4R7</td></tr> <tr><td>10</td><td>100</td></tr> <tr><td>22</td><td>220</td></tr> <tr><td>33</td><td>330</td></tr> <tr><td>47</td><td>470</td></tr> <tr><td>100</td><td>101</td></tr> <tr><td>220</td><td>221</td></tr> <tr><td>270</td><td>271</td></tr> <tr><td>330</td><td>331</td></tr> <tr><td>390</td><td>391</td></tr> <tr><td>470</td><td>471</td></tr> <tr><td>560</td><td>561</td></tr> <tr><td>680</td><td>681</td></tr> <tr><td>1000</td><td>102</td></tr> <tr><td>2200</td><td>222</td></tr> <tr><td>3300</td><td>332</td></tr> <tr><td>4700</td><td>472</td></tr> <tr><td>10000</td><td>103</td></tr> <tr><td>22000</td><td>223</td></tr> </table>			Cap (μF)	Code	0.1	0R1	0.22	R22	0.33	R33	0.47	R47	1	010	2.2	2R2	3.3	3R3	4.7	4R7	10	100	22	220	33	330	47	470	100	101	220	221	270	271	330	331	390	391	470	471	560	561	680	681	1000	102	2200	222	3300	332	4700	472	10000	103	22000	223	<table border="1" style="font-size: small;"> <tr><th>Tolerance (%)</th><th>Code</th></tr> <tr><td>+5</td><td>JC</td></tr> <tr><td>-5</td><td>JC</td></tr> <tr><td>+10</td><td>KC</td></tr> <tr><td>-10</td><td>KC</td></tr> <tr><td>+15</td><td>YC</td></tr> <tr><td>-15</td><td>YC</td></tr> <tr><td>+20</td><td>MC</td></tr> <tr><td>-20</td><td>MC</td></tr> <tr><td>+20</td><td>RC</td></tr> <tr><td>-0</td><td>RC</td></tr> <tr><td>+20</td><td>HC</td></tr> <tr><td>-5</td><td>HC</td></tr> <tr><td>+20</td><td>VC</td></tr> <tr><td>-10</td><td>VC</td></tr> <tr><td>+30</td><td>FC</td></tr> <tr><td>-0</td><td>FC</td></tr> <tr><td>+30</td><td>GC</td></tr> <tr><td>+10</td><td>GC</td></tr> <tr><td>+30</td><td>QC</td></tr> <tr><td>-10</td><td>QC</td></tr> <tr><td>+20</td><td>EC</td></tr> <tr><td>-15</td><td>EC</td></tr> </table>		Tolerance (%)	Code	+5	JC	-5	JC	+10	KC	-10	KC	+15	YC	-15	YC	+20	MC	-20	MC	+20	RC	-0	RC	+20	HC	-5	HC	+20	VC	-10	VC	+30	FC	-0	FC	+30	GC	+10	GC	+30	QC	-10	QC	+20	EC	-15	EC	<table border="1" style="font-size: small;"> <tr><th>ΦD</th><th>Code</th><th>L</th><th>Code</th></tr> <tr><td>3</td><td>030</td><td>5</td><td>050</td></tr> <tr><td>4</td><td>040</td><td>5.4</td><td>054</td></tr> <tr><td>5</td><td>050</td><td>7.7</td><td>077</td></tr> <tr><td>6</td><td>060</td><td>9</td><td>090</td></tr> <tr><td>6.3</td><td>063</td><td>10.5</td><td>105</td></tr> <tr><td>8</td><td>080</td><td>12.5</td><td>125</td></tr> <tr><td>10</td><td>100</td><td>13.5</td><td>135</td></tr> <tr><td>12</td><td>120</td><td>14</td><td>140</td></tr> <tr><td>12.5</td><td>125</td><td>16.5</td><td>165</td></tr> <tr><td>13</td><td>130</td><td>21.5</td><td>215</td></tr> <tr><td>14</td><td>140</td><td>25</td><td>250</td></tr> <tr><td>16</td><td>160</td><td>30</td><td>300</td></tr> <tr><td>18</td><td>180</td><td>35</td><td>350</td></tr> <tr><td>19</td><td>190</td><td>40</td><td>400</td></tr> <tr><td>20</td><td>200</td><td>45</td><td>450</td></tr> <tr><td>22</td><td>220</td><td>50</td><td>500</td></tr> <tr><td>25.4</td><td>254</td><td>55</td><td>550</td></tr> <tr><td>30</td><td>300</td><td>60</td><td>600</td></tr> <tr><td>35</td><td>350</td><td></td><td></td></tr> <tr><td>40</td><td>400</td><td></td><td></td></tr> <tr><td>50</td><td>500</td><td></td><td></td></tr> <tr><td>50.8</td><td>508</td><td></td><td></td></tr> <tr><td>63.4</td><td>634</td><td></td><td></td></tr> <tr><td>76</td><td>760</td><td></td><td></td></tr> <tr><td>89</td><td>890</td><td></td><td></td></tr> </table>			ΦD	Code	L	Code	3	030	5	050	4	040	5.4	054	5	050	7.7	077	6	060	9	090	6.3	063	10.5	105	8	080	12.5	125	10	100	13.5	135	12	120	14	140	12.5	125	16.5	165	13	130	21.5	215	14	140	25	250	16	160	30	300	18	180	35	350	19	190	40	400	20	200	45	450	22	220	50	500	25.4	254	55	550	30	300	60	600	35	350			40	400			50	500			50.8	508			63.4	634			76	760			89	890			<table border="1" style="font-size: small;"> <tr><th>Series Code</th><th>Code</th></tr> <tr><td>VT</td><td>M</td></tr> <tr><td>VD</td><td>N</td></tr> </table>		Series Code	Code	VT	M	VD	N	<table border="1" style="font-size: small;"> <tr><th>Base</th><th>Code</th></tr> <tr><td>PPA</td><td>E</td></tr> </table>		Base	Code	PPA	E	<p>填写品种 览表的系 列名称 Fill in Series Code Of Variety list</p> <p>例:</p>	
Brand	Code																																																																																																																																																																																																																																																																																										
HYNCDZ	HY																																																																																																																																																																																																																																																																																										
Voltage	Code																																																																																																																																																																																																																																																																																										
4	OQ																																																																																																																																																																																																																																																																																										
6.3	0J																																																																																																																																																																																																																																																																																										
10	1A																																																																																																																																																																																																																																																																																										
16	1C																																																																																																																																																																																																																																																																																										
25	1E																																																																																																																																																																																																																																																																																										
35	1V																																																																																																																																																																																																																																																																																										
50	1H																																																																																																																																																																																																																																																																																										
63	1J																																																																																																																																																																																																																																																																																										
80	1K																																																																																																																																																																																																																																																																																										
100	2A																																																																																																																																																																																																																																																																																										
125	2B																																																																																																																																																																																																																																																																																										
160	2C																																																																																																																																																																																																																																																																																										
180	2Z																																																																																																																																																																																																																																																																																										
200	2D																																																																																																																																																																																																																																																																																										
220	2P																																																																																																																																																																																																																																																																																										
250	2E																																																																																																																																																																																																																																																																																										
315	2F																																																																																																																																																																																																																																																																																										
330	2U																																																																																																																																																																																																																																																																																										
350	2V																																																																																																																																																																																																																																																																																										
400	2G																																																																																																																																																																																																																																																																																										
420	2M																																																																																																																																																																																																																																																																																										
450	2W																																																																																																																																																																																																																																																																																										
500	2H																																																																																																																																																																																																																																																																																										
Cap (μF)	Code																																																																																																																																																																																																																																																																																										
0.1	0R1																																																																																																																																																																																																																																																																																										
0.22	R22																																																																																																																																																																																																																																																																																										
0.33	R33																																																																																																																																																																																																																																																																																										
0.47	R47																																																																																																																																																																																																																																																																																										
1	010																																																																																																																																																																																																																																																																																										
2.2	2R2																																																																																																																																																																																																																																																																																										
3.3	3R3																																																																																																																																																																																																																																																																																										
4.7	4R7																																																																																																																																																																																																																																																																																										
10	100																																																																																																																																																																																																																																																																																										
22	220																																																																																																																																																																																																																																																																																										
33	330																																																																																																																																																																																																																																																																																										
47	470																																																																																																																																																																																																																																																																																										
100	101																																																																																																																																																																																																																																																																																										
220	221																																																																																																																																																																																																																																																																																										
270	271																																																																																																																																																																																																																																																																																										
330	331																																																																																																																																																																																																																																																																																										
390	391																																																																																																																																																																																																																																																																																										
470	471																																																																																																																																																																																																																																																																																										
560	561																																																																																																																																																																																																																																																																																										
680	681																																																																																																																																																																																																																																																																																										
1000	102																																																																																																																																																																																																																																																																																										
2200	222																																																																																																																																																																																																																																																																																										
3300	332																																																																																																																																																																																																																																																																																										
4700	472																																																																																																																																																																																																																																																																																										
10000	103																																																																																																																																																																																																																																																																																										
22000	223																																																																																																																																																																																																																																																																																										
Tolerance (%)	Code																																																																																																																																																																																																																																																																																										
+5	JC																																																																																																																																																																																																																																																																																										
-5	JC																																																																																																																																																																																																																																																																																										
+10	KC																																																																																																																																																																																																																																																																																										
-10	KC																																																																																																																																																																																																																																																																																										
+15	YC																																																																																																																																																																																																																																																																																										
-15	YC																																																																																																																																																																																																																																																																																										
+20	MC																																																																																																																																																																																																																																																																																										
-20	MC																																																																																																																																																																																																																																																																																										
+20	RC																																																																																																																																																																																																																																																																																										
-0	RC																																																																																																																																																																																																																																																																																										
+20	HC																																																																																																																																																																																																																																																																																										
-5	HC																																																																																																																																																																																																																																																																																										
+20	VC																																																																																																																																																																																																																																																																																										
-10	VC																																																																																																																																																																																																																																																																																										
+30	FC																																																																																																																																																																																																																																																																																										
-0	FC																																																																																																																																																																																																																																																																																										
+30	GC																																																																																																																																																																																																																																																																																										
+10	GC																																																																																																																																																																																																																																																																																										
+30	QC																																																																																																																																																																																																																																																																																										
-10	QC																																																																																																																																																																																																																																																																																										
+20	EC																																																																																																																																																																																																																																																																																										
-15	EC																																																																																																																																																																																																																																																																																										
ΦD	Code	L	Code																																																																																																																																																																																																																																																																																								
3	030	5	050																																																																																																																																																																																																																																																																																								
4	040	5.4	054																																																																																																																																																																																																																																																																																								
5	050	7.7	077																																																																																																																																																																																																																																																																																								
6	060	9	090																																																																																																																																																																																																																																																																																								
6.3	063	10.5	105																																																																																																																																																																																																																																																																																								
8	080	12.5	125																																																																																																																																																																																																																																																																																								
10	100	13.5	135																																																																																																																																																																																																																																																																																								
12	120	14	140																																																																																																																																																																																																																																																																																								
12.5	125	16.5	165																																																																																																																																																																																																																																																																																								
13	130	21.5	215																																																																																																																																																																																																																																																																																								
14	140	25	250																																																																																																																																																																																																																																																																																								
16	160	30	300																																																																																																																																																																																																																																																																																								
18	180	35	350																																																																																																																																																																																																																																																																																								
19	190	40	400																																																																																																																																																																																																																																																																																								
20	200	45	450																																																																																																																																																																																																																																																																																								
22	220	50	500																																																																																																																																																																																																																																																																																								
25.4	254	55	550																																																																																																																																																																																																																																																																																								
30	300	60	600																																																																																																																																																																																																																																																																																								
35	350																																																																																																																																																																																																																																																																																										
40	400																																																																																																																																																																																																																																																																																										
50	500																																																																																																																																																																																																																																																																																										
50.8	508																																																																																																																																																																																																																																																																																										
63.4	634																																																																																																																																																																																																																																																																																										
76	760																																																																																																																																																																																																																																																																																										
89	890																																																																																																																																																																																																																																																																																										
Series Code	Code																																																																																																																																																																																																																																																																																										
VT	M																																																																																																																																																																																																																																																																																										
VD	N																																																																																																																																																																																																																																																																																										
Base	Code																																																																																																																																																																																																																																																																																										
PPA	E																																																																																																																																																																																																																																																																																										

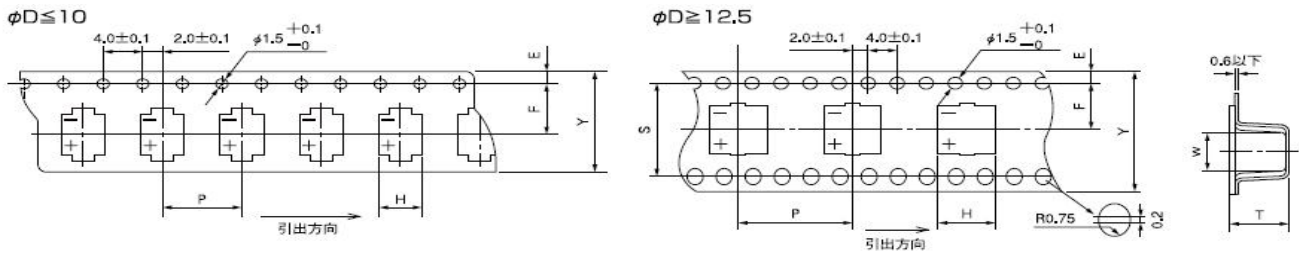
Terminal Code

例:

H	Y	1	C	1	0	1	M	C	0	6	3	0	5	4	M	E	O
HYNCDZ		16V		100UF			±20%		6.3			5.4		VT		座板	其他

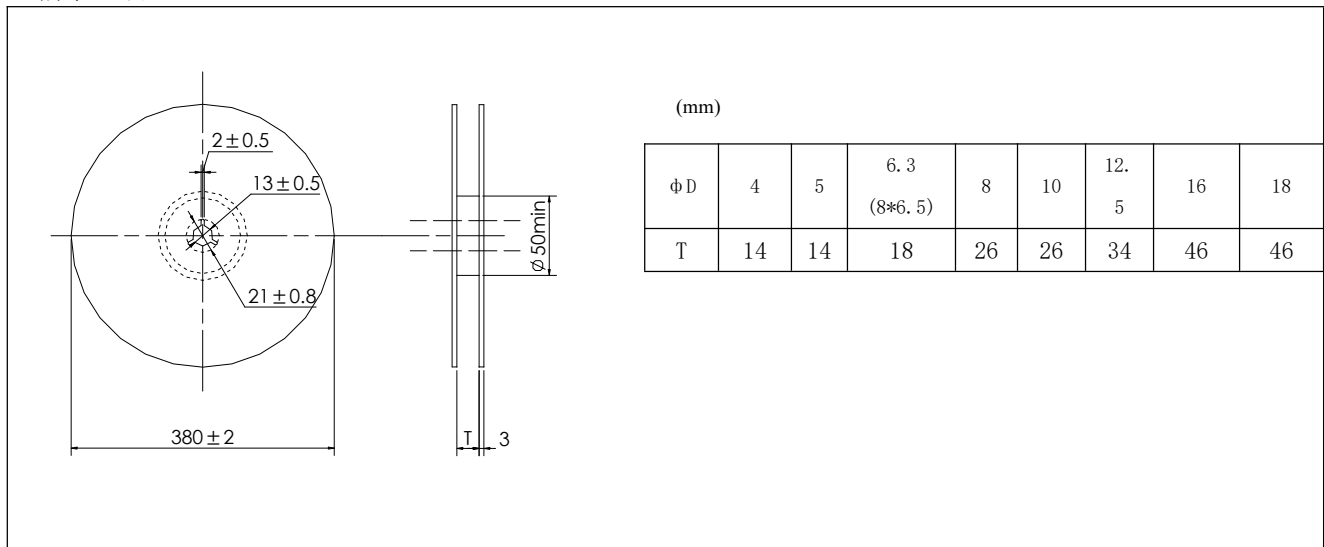
九、片式铝电解电容的编带

V- Chip Type Aluminum Electrolytic Capacitors
编带 Carrier tape



$\Phi D \times L$	4×5.4	5×5.4	6.3×5.4	6.3×7.7	6.3*10.5	8×10.5	8×12.5	10×10.5	10×12.5	12.5×13.5	12.5×16.5	16×16.5	18×16.5	18×21.5	(mm)
W	12.0	12.0	16.0	16.0	16.0	24.0	24.0	24.0	24.0	32.0	32.0	44.0	44.0	44.0	
P	8.0	12.0	12.0	12.0	12.0	16.0	16.0	16.0	16.0	24.0	24.0	28.0	32.0	32.0	
F	5.5	5.5	7.5	7.5	7.5	11.5	11.5	11.5	11.5	14.2	14.2	20.2	20.2	20.2	
A ₀	5.0	6.0	7.0	7.0	7.0	8.7	8.7	10.7	10.7	13.2	13.2	17.5	19.5	19.5	
B ₀	5.0	6.0	7.0	7.0	7.0	8.7	8.7	10.7	10.7	13.2	13.2	17.5	19.5	19.5	
T ₂	5.8	5.8	5.8	8.0	11.0	11.0	13.3	11.0	13.3	14.3	17.3	17.3	17.8	22.5	

■ 编带包装盘 Reel



■ Package quantity 包装数量

$\Phi D \times L$	Quantity / Reel 数量 / 每盘	pcs/ Small packing box 数量/小包装箱	pcs/Large packing box 数量/大包装箱
4×5.4	2000pcs	24000pcs	48000pcs
5×5.4	1000pcs	12000pcs	24000pcs
6.3×5.4、6.3×7.7、8×6.5	1000pcs	10000pcs	20000pcs
8×10.5、10×10.5	500pcs	3500pcs	7000pcs
6.3×10.5	800pcs	8000pcs	16000pcs
8×12.5	400pcs	2800pcs	5600pcs
10×12.5	400pcs	2800pcs	5600pcs
12.5×13.5	200pcs	1200pcs	2400pcs
12.5×16.5	150pcs	900pcs	1800pcs
16×16.5	125pcs	625pcs	1250pcs
18×16.5	125pcs	625pcs	1250pcs
18×21.5	75pcs	375pcs	750pcs

X-ON Electronics

Largest Supplier of Electrical and Electronic Components

Click to view similar products for [Aluminium Electrolytic Capacitors - SMD category](#):

Click to view products by [HYNCDZ manufacturer](#):

Other Similar products are found below :

[EEV-FK1E332W](#) [ULV2H1R8MNL1GS](#) [MAL214099813E3](#) [CA025M4R70REB-0405](#) [HUB1800-S](#) [34610](#) [RYK-50V101MG5TT-FL](#)
[107AXZ016MQ5](#) [RVJ-50V101MH10U-R](#) [EMVH101GRA221MMN0S](#) [MAL214097402E3](#) [MAL215375471E3](#) [MAL224699909E3](#)
[MAL224699813E3](#) [MAL215099017E3](#) [MAL215099818E3](#) [AEH1010331M025R](#) [AEA1010102M016R](#) [AEH1012471M016R](#)
[MAL213967339E3](#) [ZSC00AF2211EARL](#) [VB1E100MB054000CE0](#) [RVT1000UF10V34RV0081](#) [XT100UF50V90RV0067](#)
[RVE100UF16V67RV0046](#) [XT47UF50V90RV0082](#) [XT22UF50V90RV0083](#) [RST22UF50V026](#) [RST100UF25V004](#) [RST47UF25V035](#)
[XT10UF25V90RV0068](#) [FZ100UF50V90RV0066](#) [RST100UF16V003](#) [XT100UF10V90RV0060](#) [XT100UF16V90RV0061](#)
[XT100UF35V90RV0065](#) [FZ100UF35V90RV0064](#) [XT100UF25V90RV0062](#) [XT220UF10V90RV0073](#) [XT220UF35V90RV0076](#)
[XT47UF35V90RV0081](#) [RST10UF50V016](#) [RST220UF10V018](#) [XT100UF16V90RV0074](#) [RST47UF25V036](#) [RVT10UF50V34RV0011](#)
[FZ100UF25V90RV0063](#) [LZ220UF35V90RV0077](#) [XT10UF50V90RV0071](#) [XT470UF35V90RV0080](#)