

NOTES:
 1. ALL THE OPERATING PERFORMANCE SPEC. IN BELLOW TABLE SHOULD BE MET. THE MEASURE METHOD IS SHOWN AS FIG.1.
 OPERATE THE DOME 10 TIMES BEFORE MEASURING.

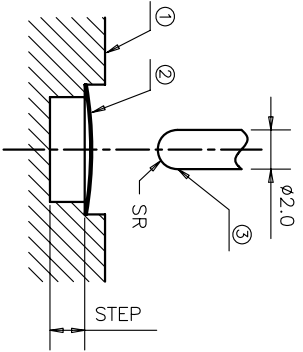


Fig1. MEASURING METHOD

- 1) TEST SPEED : 120 SPM
- 2) TEST FORCE : F_p
- 3) MATERIAL : ALUMINUM.

2. OBVIOUS BURR, SCRATCHES, CRACKES IS FORBIDDEN.
3. DIMENSIONS MARKED ∇ SHOULD BE CHECKED BY O.C. AND P.E.
4. DIMENSIONING SHALL BE INTERPRETED PER ANSI Y14.5M-1982.
5. HARMFUL MATERIAL CONTROL PLEASE FOLLOW DOC."HY-QW-02"
6. PART PERFORMANCE TABLE ∇

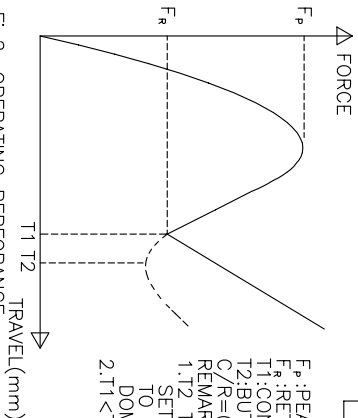


Fig2. OPERATING PERFORMANCE

F_p : PEAK FORCE
 F_r : RETURN FORCE
 T_1 : CONTACT POINT
 T_2 : BUTTON POINT
 $C/R = (F_p - F_r) / F_p * 100\%$
 REMARK:
 1. T2 TESTED WHEN THE SETP IS DEEP ENOUGH TO NOT CONTACT WITH DOME DURING MEASURING.
 2. $T_1 < T_2$

REV	ECON NO.	APPD
A	HC060009	ZO
B	HC060033	ZO
C	HC100168	ZO
D	HC110001	ZO
E	HC140005	ZO
F	HC160002	ZO

TYPE:	DIMPLE:	D:	C/R:	STEP:	MATERIAL:	CP:
6011	01345	2=φ2.0mm 3=φ3.0mm 4=φ4.0mm 5=φ5.0mm 6=φ6.0mm A=φ2.5mm B=φ3.5mm C=φ4.5mm D=φ2.2mm	0=60% 1=65% 2=55% 3=45% 4=35% 5=25% 6=15%	0=0.00mm 1=0.01mm 2=0.02mm 3=0.03mm 4=0.04mm 5=0.05mm 6=0.06mm	0=NI-SUS 1=AG-SUS 2=PB	060=060gf 080=080gf 100=100gf 130=130gf 160=160gf 180=180gf 200=200gf 250=250gf

PART NAME	D	H	P.F(gf)	C/R(%)
600-5***-****	$\phi 5^{+0.05}$	0.25±0.05	CP±15	C/R±10
600-C***-****	$\phi 4.5^{+0.05}$	0.22±0.05	CP±15	C/R±10
600-4***-****	$\phi 4^{+0.05}$	0.2±0.05	CP±15	C/R±10
600-B***-****	$\phi 3.5^{+0.05}$	0.18±0.05	CP±15	C/R±10
600-3***-****	$\phi 3^{+0.05}$	0.16±0.05	CP±15	C/R±10
600-L***-****	$\phi 2.92^{+0.02}$	0.15±0.05	CP±15	C/R±10
600-J***-****	$\phi 2.9^{+0.05}$	0.15±0.05	CP±15	C/R±10
600-K***-****	$\phi 2.85^{+0.02}$	0.15±0.05	CP±15	C/R±10
600-A***-****	$\phi 2.5^{+0.05}$	0.15±0.05	CP±15	C/R±10
600-D***-****	$\phi 2.2^{+0.05}$	0.15±0.05	CP±15	C/R±10
600-2***-****	$\phi 2.0^{+0.05}$	0.15±0.05	CP±15	C/R±10

X ± 0.2	X' ± 3'	UNITS	MM	NAME(INTENDED USE)	HON YUAN
.X ± 0.1	X' ± 2'	MAT'L		METAL DOME FOR TACT SWITCH	HON YUAN PRECISION IND. CO.,LTD. SHENZHEN, CHINA, R.O.C.
.XX ± 0.05	.XX' ± 1'	FINISH		PART NO.(INTENDED USE)	TITLE: DOME CUSTMER DRAWING
.XXX ± 0.03	.XXX' ± 0.5'			APPD: ZO 3/18/2014	DWG NO.: 600-0000-000
		QTY		CHKD: M.H.LI 3/18/2014	SCALE SHEET REV. 1/1 1/5 F
				DR: WP.LU 3/18/2014	

THESE DIMENSIONS AND SPECIFICATIONS ARE THE PROPERTY OF HON YUAN PRECISION IND. CO., LTD. AND SHALL NOT BE REPRODUCED, COPIED OR USED IN ANY MANNER WITHOUT THE PRIOR WRITTEN CONSENT OF HON YUAN PRECISION IND. CO., LTD.

X-ON Electronics

Largest Supplier of Electrical and Electronic Components

Click to view similar products for [Tactile Switches](#) category:

Click to view products by [HYP](#) manufacturer:

Other Similar products are found below :

[5GTH92001](#) [5GTH9202242](#) [6407-250V-25273P](#) [ADTSA62NV](#) [ADTSA62RV](#) [B3F-3123](#) [1977177-8](#) [1977266-1](#) [ADTSA63NV](#)
[ADTSM21NSVTR](#) [ADTSM25RVTR](#) [ADTSM32NVTR](#) [ADTSMW64RV](#) [FSMRA4JHA04](#) [GS4.70F300QP](#) [KSC241J SP DELTA LFS](#)
[3FTL600RAS](#) [3FTL640RAS](#) [Y96K132V0FPLFS](#) [5GTH9658222](#) [6407-250V-25343P](#) [ADTSM31NVTR](#) [2-1977120-7](#) [TSJW-5.2-260-TR](#)
[KMT011MNGJLHS](#) [B3WN6002S](#) [70-201.0](#) [ADTSG648NV](#) [ADTSM62KSVTR](#) [ADTSM648NV](#) [95C06E3RAT](#) [5GTH96561](#) [3ATH9Q](#)
[FSMRA8JHA04](#) [HARS0073](#) [Y97HS12A5RAFP](#) [Y97BT23B2HAFP](#) [Y33R411N9FPLFT](#) [Y31C01402FPLFS](#) [PTS645SK50SMTR92](#)
[ADTSM32NVB](#) [KMS233GPWTLFG](#) [Y78B64124FP](#) [PTS638SK25SMTR2LFS](#) [Y96D113G0FP LFS](#) [Y33A812C5FP LFT](#) [Y56B2D120FP](#)
[LFS](#) [PTS645 DVM83-BN125-2 LFS](#) [B3W 1000G](#) [KSC621G OL LFS](#)