

Fig1. MEASURING METHOD

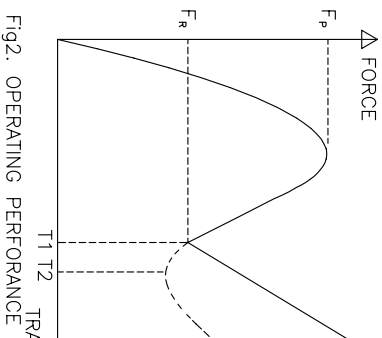
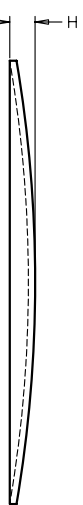


Fig2. OPERATING PERFORMANCE

NOTES:
 1. ALL THE OPERATING PERFORMANCE SPEC. IN BELLOW TABLE SHOULD BE MET. THE MEASURE METHOD IS SHOWN AS Fig.1.
 OPERATE THE DOME 10 TIMES BEFORE MEASURING.

REV	ECN NO.	APPD
A	HC060009	ZO
B	HC100097	ZO
C	HC150011	ZO

F_p: PEAK FORCE
 F_r: RETURN FORCE
 T1: CONTACT POINT
 T2: BUTTON POINT
 C/R=(F_p-F_r)/F_p*100%
 REMARK:
 1. T2 TESTED WHEN THE SETP IS DEEP ENOUGH TO NOT CONTACT WITH DOME DURING MEASURING.
 2. T1 < T2

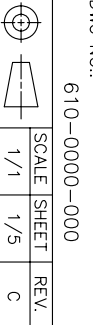


- 1) TEST SPEED : 120 SPM
- 2) TEST FORCE : F_p
- 3) MATERIAL : ALUMINIUM.
2. OBVIOUS BURR, SCRATCHES, CRACKES IS FORBIDDEN.
3. DIMENSIONS MARKED ∇ SHOULD BE CHECKED BY Q.C. AND P.E.
4. DIMENSIONING SHALL BE INTERPRETED PER ANSI Y14.5M-1982.
5. HARMFUL MATERIAL CONTROL PLEASE FOLLOW DOC."HY-QW-02".
6. PART PERFORMANCE TABLE

PART NAME	D	W	H	P.F(gf)	C/R(%)
610-5***-***	∅5 ^{+0.05}	3.7±0.05	0.25±0.05	CP±15	C/R±10
610-C***-***	∅4.5 ^{+0.05}	3.3±0.05	0.22±0.05	CP±15	C/R±10
610-4***-***	∅4 ^{+0.05}	2.8±0.05	0.2±0.05	CP±15	C/R±10
610-F***-***	∅2.4 ^{+0.05}	2.2±0.05	0.15±0.05	CP±15	C/R±10
610-D***-***	∅2.2 ^{+0.05}	1.6±0.05	0.13±0.05	CP±15	C/R±10
610-2***-***	∅2 ^{+0.05}	1.5±0.05	0.12±0.05	CP±15	C/R±10

TYPE:	DIMPLE:	D:	C/R:	STEP:	MATERIAL:	CP:
□ 1 3 4 5	0 1 3 4 5	2=∅2.0mm 3=∅3.0mm 4=∅4.0mm 5=∅5.0mm 6=∅6.0mm A=∅2.5mm B=∅3.5mm C=∅4.5mm D=∅2.3mm E=∅2.5mm F=∅2.4mm G=∅2.7mm H=∅2.8mm J=∅2.9mm K=∅2.85mm L=∅2.92mm	0=60% 1=65% 2=55% 3=45% 4=35% 5=25% 6=15%	0=0.00mm 1=0.01mm 2=0.02mm 3=0.03mm 4=0.04mm 5=0.05mm 6=0.06mm 7=0.07mm 8=0.08mm 9=0.09mm A=0.10mm	9=SUS 0=Ni-SUS S=AG-SUS 1=PB 2=BECU	060=060gf 080=080gf 100=100gf 130=130gf 160=160gf 180=180gf 200=200gf 250=250gf

X. ± 0.2	X. ± 0.1	X. ± 0.05	X. ± 0.03	UNITS	FINISH	Q'TY	NAME(INTENDED USE)	TITLE:	DWG NO.:	SCALE	SHEET	REV.
.X ± 0.2	.X ± 0.1	.XX ± 0.05	.XXX ± 0.03	MM	FINISH		METAL DOME FOR TACT SWITCH	HON YUAN	610-0000-000	1/1	1/5	C
							610-*****	DOME CUSTOMER DRAWING				
							APPD: ZO 6/04/2015					
							CHKD: M.H.L: 6/04/2015					
							DR: WP.Lu 6/03/2015					



X-ON Electronics

Largest Supplier of Electrical and Electronic Components

Click to view similar products for [Tactile Switches](#) category:

Click to view products by [HYP](#) manufacturer:

Other Similar products are found below :

[6407-250V-25273P](#) [ADTSA62NV](#) [B3F-3123](#) [1977177-8](#) [1977266-1](#) [ADTSA63NV](#) [ADTSM21NSVTR](#) [ADTSM25RVTR](#) [ADTSM32NVTR](#)
[ADTSMW64RV](#) [1977120-6](#) [FSMRA4JHA04](#) [GS4.70F300QP](#) [KSC241J SP DELTA LFS](#) [3FTL600RAS](#) [3FTL640RAS](#) [6407-250V-25343P](#)
[ADTSM31NVTR](#) [2-1977120-7](#) [TSJW-5.2-260-TR](#) [Y651050400P](#) [KMT011MNGJLHS](#) [70-201.0](#) [ADTSG648NV](#) [ADTSM62KSVTR](#)
[ADTSM648NV](#) [95C06E3RAT](#) [3ATH9Q](#) [FSMRA8JHA04](#) [HARS0073](#) [Y33R411N9FPLFT](#) [Y33R51139FPLFT](#) [Y31C01402FPLFS](#)
[PTS645SK50SMTR92](#) [ADTSM32NVB](#) [KMS233GPWTLFG](#) [Y78B64124FP](#) [Y31CJ244KFP LFS](#) [Y96D113G0FP LFS](#) [Y33A812C5FP LFT](#)
[Y56B2D120FP LFS](#) [Y31C5144KFP LFS](#) [PTS645 DVM83-BN125-2 LFS](#) [B3W 1000G](#) [KSC621G OL LFS](#) [B3F 1002C](#) [B3F 0047H](#) [B3W](#)
[1002C](#) [B3F 5001G](#) [B3W 1100C](#)