

Fig1. MEASURING METHOD

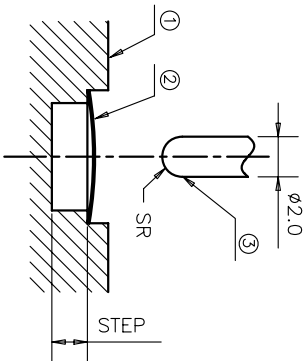
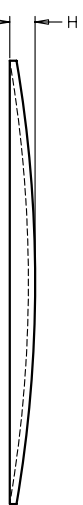


Fig2. OPERATING PERFORMANCE

NOTES:
 1. ALL THE OPERATING PERFORMANCE SPEC. IN BELLOW TABLE SHOULD BE MET. THE MEASURE METHOD IS SHOWN AS Fig.1.
 OPERATE THE DOME 10 TIMES BEFORE MEASURING.

REV	ECN NO.	APPD
A	HC060009	ZO
B	HC100097	ZO
C	HC150011	ZO

F_p: PEAK FORCE
 F_r: RETURN FORCE
 T1: CONTACT POINT
 T2: BUTTON POINT
 C/R=(F_p-F_r)/F_p*100%
 REMARK:
 1. T2 TESTED WHEN THE SETP IS DEEP ENOUGH TO NOT CONTACT WITH DOME DURING MEASURING.
 2. T1 < T2



- 1) TEST SPEED : 120 SPM
- 2) TEST FORCE : F_p
- 3) MATERIAL : ALUMINIUM.
2. OBVIOUS BURR, SCRATCHES, CRACKES IS FORBIDDEN.
3. DIMENSIONS MARKED ∇ SHOULD BE CHECKED BY Q.C. AND P.E.
4. DIMENSIONING SHALL BE INTERPRETED PER ANSI Y14.5M-1982.
5. HARMFUL MATERIAL CONTROL PLEASE FOLLOW DOC."HY-QW-02".
6. PART PERFORMANCE TABLE

PART NAME	D	W	H	P.F(gf)	C/R(%)
610-5***-***	∅5 ±0.05	3.7±0.05	0.25±0.05	CP±15	C/R±10
610-C***-***	∅4.5 ±0.05	3.3±0.05	0.22±0.05	CP±15	C/R±10
610-4***-***	∅4 ±0.05	2.8±0.05	0.2±0.05	CP±15	C/R±10
610-F***-***	∅2.4 ±0.05	2.2±0.05	0.15±0.05	CP±15	C/R±10
610-D***-***	∅2.2 ±0.05	1.6±0.05	0.13±0.05	CP±15	C/R±10
610-2***-***	∅2 ±0.05	1.5±0.05	0.12±0.05	CP±15	C/R±10

TYPE:	DIMPLE:	D:	C/R:	STEP:	MATERIAL:	CP:
□ 1	0	2=∅2.0mm	0=60%	0=0.00mm	9=SUS	060=060gf
□ 2	1	3=∅3.0mm	1=65%	1=0.01mm	0=Ni-SUS	080=080gf
□ 3	2	4=∅4.0mm	2=55%	2=0.02mm	S=AG-SUS	100=100gf
□ 4	3	5=∅5.0mm	3=45%	3=0.03mm	1=PB	130=130gf
□ 5	4	6=∅6.0mm	4=35%	4=0.04mm	2=BECU	160=160gf
□ 6	5	A=∅2.5mm	5=25%	5=0.05mm		180=180gf
□ 7	6	B=∅3.5mm	6=15%	6=0.06mm		200=200gf
□ 8		C=∅4.5mm		7=0.07mm		250=250gf
□ 9		D=∅2.3mm		8=0.08mm		
□ 10		E=∅2.2mm		9=0.09mm		
□ 11		F=∅2.4mm		A=0.10mm		
□ 12		G=∅2.7mm				
□ 13		H=∅2.8mm				
□ 14		J=∅2.9mm				
□ 15		K=∅2.85mm				
□ 16		L=∅2.92mm				

X. ± 0.2	X'. ± 0.3	UNITS	MM	Q'TY
.X ± 0.1	.X' ± 2'	MAT'L		
.XX ± 0.05	.XX' ± 1'	FINISH		
.XXX ± 0.03	.XXX' ± 0.5'			

NAME(INTENDED USE)	HON YUAN
METAL DOME FOR TACT SWITCH	
PART NO.(INTENDED USE)	610-****-***
APPD:	ZO 6/04/2015
CHKD:	M.H.L: 6/04/2015
DR:	WP.Lu 6/03/2015
DWG NO.:	610-0000-000
SCALE	1/1
SHEET	1/5
REV.	C

X. ± 0.2	X'. ± 0.3	UNITS	MM	Q'TY
.X ± 0.1	.X' ± 2'	MAT'L		
.XX ± 0.05	.XX' ± 1'	FINISH		
.XXX ± 0.03	.XXX' ± 0.5'			

NAME(INTENDED USE)	HON YUAN
METAL DOME FOR TACT SWITCH	
PART NO.(INTENDED USE)	610-****-***
APPD:	ZO 6/04/2015
CHKD:	M.H.L: 6/04/2015
DR:	WP.Lu 6/03/2015
DWG NO.:	610-0000-000
SCALE	1/1
SHEET	1/5
REV.	C

X-ON Electronics

Largest Supplier of Electrical and Electronic Components

Click to view similar products for [Tactile Switches](#) category:

Click to view products by [HYP](#) manufacturer:

Other Similar products are found below :

[KMR633NG](#) [LFG](#) [5GTH92001](#) [5GTH9202242](#) [6426-201-11343](#) [MJ1226](#) [MJTP1109B](#) [MJTP1138EAUTR](#) [MJTP1230BL](#) [MJTPSHW](#)
[GS6.90F300QP](#) [1-1977223-0](#) [1-1977120-4](#) [ADTSA62NV](#) [ADTSA62RV](#) [ADTSA63KV](#) [ADTSA644NV](#) [ADTSM24NVTR](#) [ADTSMW66NV](#)
[ADTSMW67RV](#) [ATM533VTR](#) [1571300-3](#) [B3F-3123](#) [B3F-6055A](#) [B3F-B32-01-KIT](#) [1977177-8](#) [1977266-1](#) [2-1977223-4](#) [2-1977223-7](#)
[ADTS644KV](#) [ADTSA61RV](#) [ADTSA62KV](#) [ADTSA63NV](#) [ADTSA63RV](#) [ADTSA65NV](#) [ADTSM21NSVTR](#) [ADTSM25RVTR](#)
[ADTSM31RVTR](#) [ADTSM32NVTR](#) [ADTSM61YVTR](#) [ADTSM63SVTR](#) [ADTSM644KVTR](#) [ADTSMW64RV](#) [ADTSMW69NV](#)
[FSMRA4JHA04](#) [GS4.70F300QP](#) [D38999/20JJ37SA](#) [TL1105B](#) [TL1105J](#) [ATH447K2Q](#) [ATM534VTR](#)