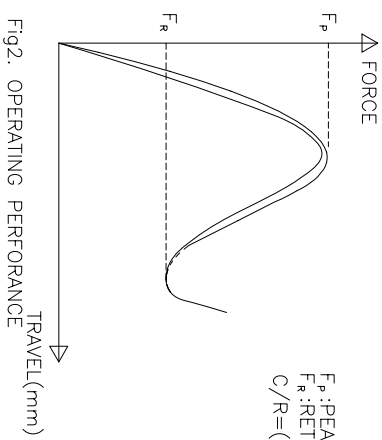
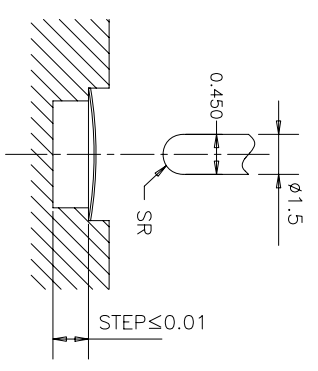


NOTES:  
 1. ALL THE OPERATING PERFORMANCE SPEC. IN BELLOW TABLE SHOULD BE MET. THE MEASURE METHOD IS SHOWN AS FIG.1. OPERATE THE DOME 10 TIMES BEFORE MEASURING.



- 1) TEST SPEED : 140 SPM
- 2) TEST FORCE :  $1.5 * F_p$
- 3) MATERIAL : ALUMINUM.
- 4) AFTER LIFE TEST, C/R DECREASE 30% MAX.
- 5) OBVIOUS BURR, SCRATCHES, CRACKS IS FORBIDDEN.
- 6) DIMENSIONS MARKED  $\nabla$  SHOULD BE CHECKED BY Q.C. AND P.E.
- 7) DIMENSIONING SHALL BE INTERPRETED PER ANSI Y14.5M-1982.
- 8) HARMFUL MATERIAL CONTROL PLEASE FOLLOW ROHS
9. PART PERFORMANCE TABLE

PART NAME	P.F.(gf)	C/R(%)	MAT'L	FINISH	STEP(mm)
836-0005-***	CP±20	60±15	SUS301	Ag PLATING	0

CP:	H:
100-----100gf	0.32-----80gf
120-----120gf	0.32-----100gf
140-----140gf	0.32-----120gf
160-----160gf	0.35-----140gf
180-----180gf	0.35-----160gf
200-----200gf	0.39-----180gf
230-----230gf	0.39-----200gf
250-----250gf	0.40-----230gf
280-----280gf	0.40-----250gf
	0.40-----280gf

L (mm)	L1 (mm)	L2 (mm)	L3 (mm)	L4 (mm)
4.06±0.02	4.10±0.10	3.10±0.20	1.30±0.10	1.00±0.10
4.06±0.02	4.10±0.10	3.10±0.20	1.30±0.10	1.00±0.10
4.06±0.02	4.10±0.10	3.10±0.20	1.30±0.10	1.00±0.10
4.06±0.02	4.10±0.10	3.10±0.20	1.30±0.10	1.00±0.10

X. ± 0.2	X' ± 0.2'	UNITS	MM	NAME(INTENDED USE)
X ± 0.1	X' ± 0.1'	MAT'L		METAL DOME FOR TACT SWITCH
.XX ± 0.05	.XX' ± 0.01'	FINISH		PART NO.(INTENDED USE)
.XXX ± 0.03	.XXX' ± 0.005'			N/A

APPD:	CHKD:	DR:	DWG NO.:	SCALE	SHEET	REV.
ZO 06/06'15	PROJUM 06/06'15	M.H.LI 06/06'15	836-0000-000	1/1	1/1	C

THESE DRAWINGS AND SPECIFICATIONS ARE THE PROPERTY OF HON YUAN PRECISION IND. CO., LTD. AND SHALL NOT BE REPRODUCED, COPIED OR USED IN ANY MANNER WITHOUT THE PRIOR WRITTEN CONSENT OF HON YUAN PRECISION IND. CO., LTD.

**HON YUAN**  
 HON YUAN PRECISION IND. CO., LTD.  
 SHENZHEN, CHINA, R.O.C.

CUSTOMER DRAWING

## X-ON Electronics

Largest Supplier of Electrical and Electronic Components

*Click to view similar products for [Tactile Switches](#) category:*

*Click to view products by [HYP](#) manufacturer:*

Other Similar products are found below :

[5GTH92001](#) [5GTH9202242](#) [6407-250V-25273P](#) [ADTSA62NV](#) [ADTSA62RV](#) [B3F-3123](#) [1977177-8](#) [1977266-1](#) [ADTSA63NV](#)  
[ADTSM21NSVTR](#) [ADTSM25RVTR](#) [ADTSM32NVTR](#) [ADTSMW64RV](#) [FSMRA4JHA04](#) [GS4.70F300QP](#) [KSC241J SP DELTA LFS](#)  
[3FTL600RAS](#) [3FTL640RAS](#) [Y96K132V0FPLFS](#) [5GTH9658222](#) [6407-250V-25343P](#) [ADTSM31NVTR](#) [2-1977120-7](#) [TSJW-5.2-260-TR](#)  
[KMT011MNGJLHS](#) [B3WN6002S](#) [70-201.0](#) [ADTSG648NV](#) [ADTSM62KSVTR](#) [ADTSM648NV](#) [95C06E3RAT](#) [5GTH96561](#) [3ATH9Q](#)  
[FSMRA8JHA04](#) [HARS0073](#) [Y33R411N9FPLFT](#) [Y31C01402FPLFS](#) [PTS645SK50SMTR92](#) [ADTSM32NVB](#) [KMS233GPWTLFG](#)  
[Y78B64124FP](#) [Y96D113G0FP LFS](#) [Y33A812C5FP LFT](#) [Y56B2D120FP LFS](#) [PTS645 DVM83-BN125-2 LFS](#) [B3W 1000G](#) [KSC621G OL](#)  
[LFS](#) [B3F 1002C](#) [B3F 0047H](#) [B3F 1000G](#)