

NOTES:
 1. ALL THE OPERATING PERFORMANCE SPEC. IN BELLOW TABLE SHOULD BE MET. THE MEASURE METHOD IS SHOWN AS FIG.1. OPERATE THE DOME 10 TIMES BEFORE MEASURING.

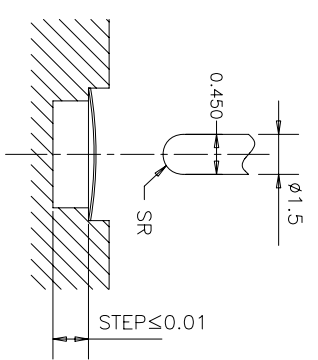
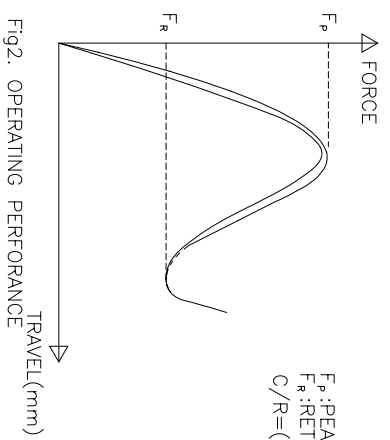


Fig.1. MEASURING METHOD



- 1) TEST SPEED : 140 SPM
- 2) TEST FORCE : 1.5*Fp
- 3) MATERIAL : ALUMINUM.
- 4) AFTER LIFE TEST, C/R DECREASE 30% MAX.
- 5) OBVIOUS BURR, SCRATCHES, CRACKS IS FORBIDDEN.
- 6) DIMENSIONS MARKED WITH TRIANGLE SHOULD BE CHECKED BY Q.C. AND P.E.
- 7) DIMENSIONING SHALL BE INTERPRETED PER ANSI Y14.5M-1982.
- 8) HARMFUL MATERIAL CONTROL PLEASE FOLLOW ROHS
- 9) PART PERFORMANCE TABLE

PART NAME	P.F.(gf)	C/R(%)	MAT'L	FINISH	STEP(mm)
836-0005-***	CP±20	60±15	SUS301	Ag PLATING	0

L (mm)	L1 (mm)	L2 (mm)	L3 (mm)	L4 (mm)
4.06±0.02	4.10±0.10	3.10±0.20	1.30±0.10	1.00±0.10
4.06±0.02	4.10±0.10	3.10±0.20	1.30±0.10	1.00±0.10
4.06±0.02	4.10±0.10	3.10±0.20	1.30±0.10	1.00±0.10
4.06±0.02	4.10±0.10	3.10±0.20	1.30±0.10	1.00±0.10

CP:	H:
100-----80gf	0.32-----80gf
120-----100gf	0.32-----100gf
140-----120gf	0.32-----120gf
160-----140gf	0.35-----140gf
180-----160gf	0.35-----160gf
200-----180gf	0.39-----180gf
220-----200gf	0.39-----200gf
230-----230gf	0.40-----230gf
250-----250gf	0.40-----250gf
280-----280gf	0.40-----280gf

X. ± 0.2	X' ± 0.2'	UNITS	MM	NAME(INTENDED USE)
X ± 0.1	X' ± 0.1'	MAT'L		METAL DOME FOR TACT SWITCH
.XX ± 0.05	.XX' ± 0.01'	FINISH		PART NO.(INTENDED USE)
.XXX ± 0.03	.XXX' ± 0.005'			N/A

APPD:	CHKD:	DR:	DWG NO.:	SCALE	SHEET	REV.
ZO 06/06'15	PROJUM 06/06'15	M.H.LI 06/06'15	836-0000-000	1/1	1/1	C

HON YUAN
 HON YUAN PRECISION IND. CO.,LTD.
 SHENZHEN, CHINA, R.O.C.

CUSTOMER DRAWING

THESE DRAWINGS AND SPECIFICATIONS ARE THE PROPERTY OF HON YUAN PRECISION IND. CO., LTD. AND SHALL NOT BE REPRODUCED, COPIED OR USED IN ANY MANNER WITHOUT THE PRIOR WRITTEN CONSENT OF HON YUAN PRECISION IND. CO., LTD.

X-ON Electronics

Largest Supplier of Electrical and Electronic Components

Click to view similar products for [Tactile Switches](#) category:

Click to view products by [HYP](#) manufacturer:

Other Similar products are found below :

[5GTH92001](#) [5GTH9202242](#) [ADTSA62NV](#) [ADTSA62RV](#) [B3F-3123](#) [1977177-8](#) [1977266-1](#) [ADTSA63NV](#) [ADTSM21NSVTR](#)
[ADTSM25RVTR](#) [ADTSM32NVTR](#) [ADTSMW64RV](#) [FSMRA4JHA04](#) [GS4.70F300QP](#) [3ESH9R](#) [KSC241J](#) [SP DELTA LFS](#) [3FTL600RAS](#)
[3FTL640RAS](#) [Y96K132V0FPLFS](#) [5GTH9658222](#) [ADTSM31NVTR](#) [2-1977120-7](#) [TSJW-5.2-260-TR](#) [KMT011MNGJLHS](#) [70-201.0](#)
[ADTSG648NV](#) [ADTSM62KSVTR](#) [ADTSM648NV](#) [95C06E3RAT](#) [5GTH96561](#) [3ATH9Q](#) [FSM4JSMLXTR](#) [FSM4JSMXL](#) [FSMRA8JHA04](#)
[HARS0073](#) [Y97HS12A5RAFP](#) [Y97BT23B2HAFP](#) [Y33R411N9FPLFT](#) [Y31C01402FPLFS](#) [PTS645SK50SMTR92](#) [ADTSM32NVB](#)
[KMS233GPWTLFG](#) [Y78B42324FP](#) [Y33R21116FPLFT](#) [Y31B43131FPLFG](#) [Y78B64124FP](#) [Y71243251FP](#) [Y33R31119FPLFT](#)
[Y97HS12A5TAFP](#) [PTS638SK25SMTR2LFS](#)