



Product Specification

DOC. No.:EB1-AS1C-223

Rev.: B

Page: 1/4

深圳市鸿源精密器材有限公司

PART No.:

RF3-1717-085CE-CT

Approved/Date

ZO
2016.03.04

Checked/Date

W.P.Lu
2016.03.04

Made/Date

Y.Y.Chen
2016.03.04

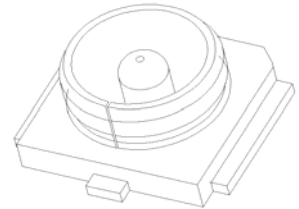
1、Scope(简述)

The product described in this paper is a SMT Type Micro Coaxial RF Receptacle, whose part name in our comply is USS RF REC..It is special for Microstrip-to-Coaxial adapter in RF circuit, Such as Mobile Phone, Wireless Net, MiniPCI, BlueTooth, PDA, GPS, Electric Measurement Instruments and so on.

本产品为超小表面贴装 (USS RF 第 III 代), 适用于 RF 电路微带同轴传输转接口, 应用于移动电话, 无线网络, 袖珍型 PCI, 蓝牙, 掌上电脑, 全球定位系统, 电子测量仪器, 等等

2、Technical Parameters(技术参数)

2.1 Rated Voltage(额定电压)	60VAC (R. M. S)
2.2 Frequency Range(频率范围)	0~6GHz
2.3 Character Impedance(特性阻抗)	50Ω
2.4 Operate Temperature(工作温度)	-40°C ~ +90°C
2.5 Operate Humidity(工作湿度)	90% MAX



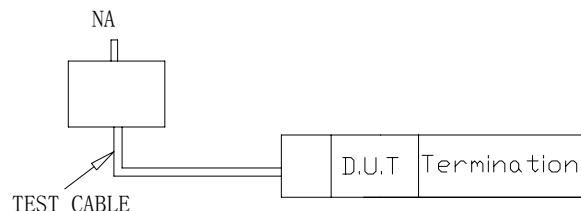
3、Electric Performance(电性能)

3.1 Dielectric Resistance(绝缘阻抗)	500MΩ
3.2 Dielectric Withstand Voltage(耐电压)	200V AC 1Min
3.3 Contact Resistance(接触阻抗)	
3.3.1 Inner Contact(内导体)	Initial(初始): 15 mΩ max After(测试后): 20 mΩ max
3.3.2 Outer Contact(外导体)	Initial(初始): 10 mΩ max After(测试后): 15 mΩ max

3.4 VSWR(电压驻波比)

≦ 3GHz	3-6GHz
1.3 max	1.4 max

3.4.1 Test Method(测试方法):



4、Mechanical Performance(机械性能)

4.1 Durability(寿命)	30 Cycles
4.2 Shock(冲击)	Accerlaration: 735m/s ² , 11ms (Time), Waveform: Half-wave waveform, 6 Cycles In Each X-Y-Zaxis 加速度: 735m/s ² , 11ms (时间), 波形: 半正弦波, 3个轴向各6个循环
4.3 Vibration(振动)	Frequency: 10-100Hz, single amplitude of 1.5mm, acceleration of 59m/s ² . for 5cycles in the direction of each of the 3axis. 频率: 10-100Hz, 单向幅度 1.5mm, 加速度: 59m/s ² , 3个轴向各5个循环



Product Specification

DOC. No.:EB1-AS1C-223

Rev.: B

Page: 2/4

深圳市鸿源精密器材有限公司

PART No.:
RF3-1717-085CE-CT

Approved/Date

Checked/Date

Made/Date

ZO
2016.03.04W.P.Lu
2016.03.04Y.Y.Chen
2016.03.04

5、Environment Performance (环境性能)

5.1 Temperature & Humidity Cycling (稳态湿热)

TEM.: 60°C Relative Humidity: 95% RH Time: 96 hours

温度: 40°C 湿度: 95% RH 时间: 96 hours

5.2 Salt spray (盐雾试验)

Temp.: 35°C Conduction: 5% Time: 48 hours

温度: 35°C 浓度: 5% 时间: 48 hours

5.3 Solderability (可焊性)

The Sn Immersed Area must beyond by 95%.

吃锡面积 95%以上

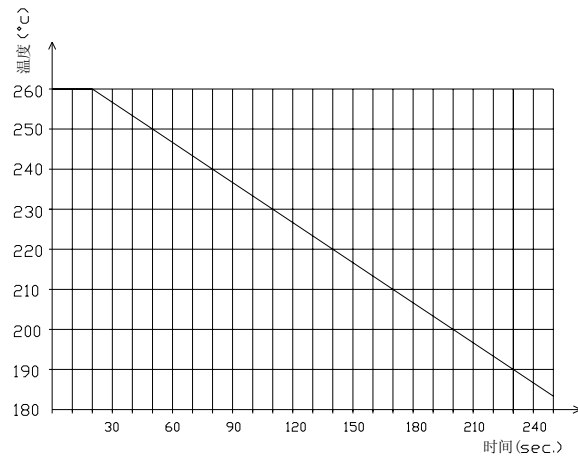
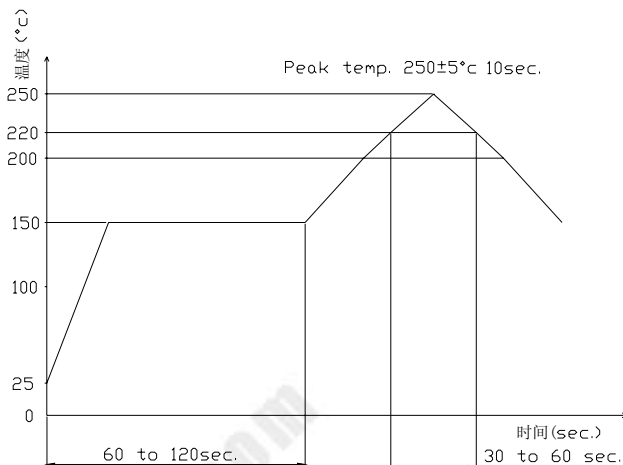
6、SMT Temperature Curve (SMT 温度曲线图)

6.1 Recommended tem.&time relative curve of Re-flow

建议回流焊温度与时间条件

6.2 Extremed tem.&time curve of Re-flow

回流焊极限温度与时间条件





Product Specification

DOC. No.:EB1-AS1C-223

Rev.: B

Page: 3/4

深圳市鸿源精密器材有限公司

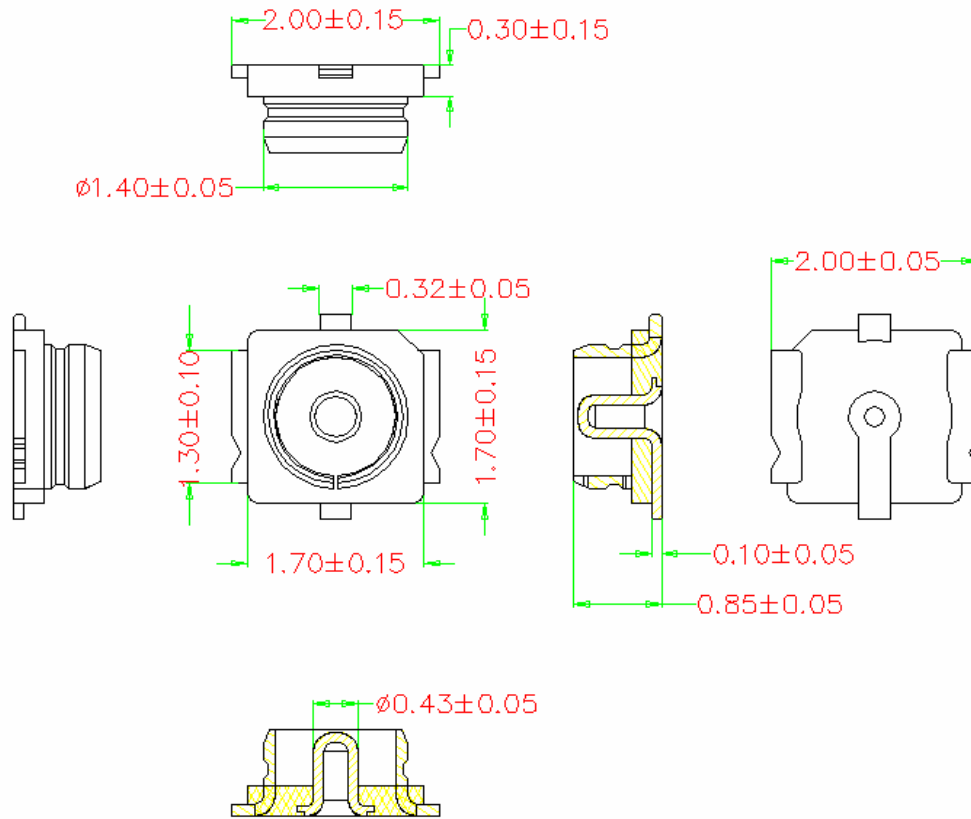
PART No.:
RF3-1717-085CE-CT

Approved/Date
ZO
2016.03.04

Checked/Date
W.P.Lu
2016.03.04

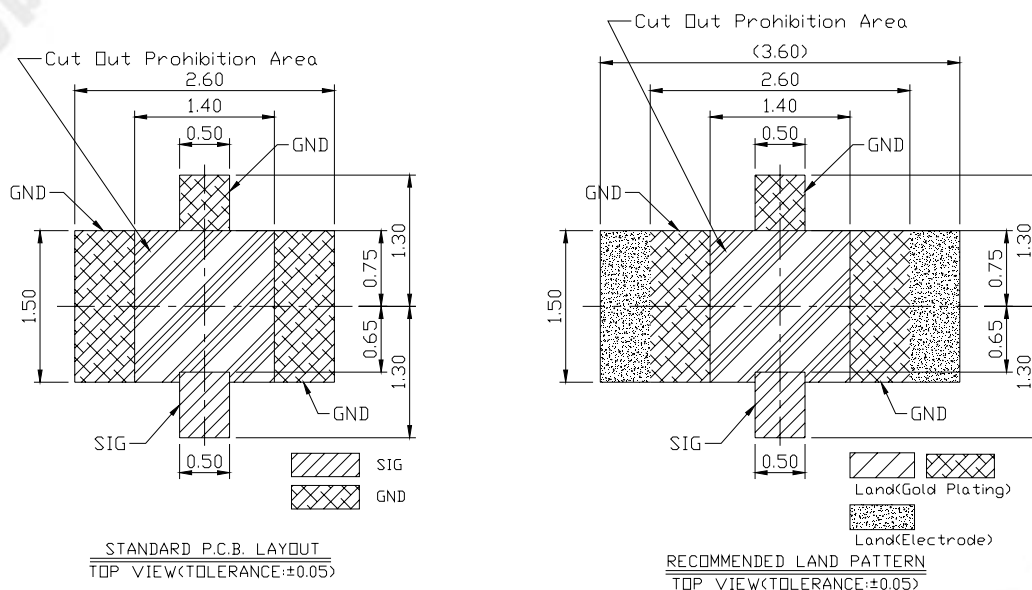
Made/Date
Y.Y.Chen
2016.03.04

7、Profile Dimensions (外形尺寸)



ITEM	PART NAME	QTY	MATERIAL/FINISH
A	CONTACT	1	COPPER ALLOY/GOLD PLATED OVER NI
B	SHELL	1	COPPER ALLOY/GOLD PLATED OVER NI
C	HOUSING	1	HIGHT TEMP. PLASTIC UL94V-0/BLACK

8、PCB LAYOUT



9、Packaging SPEC. (包装规格)

X-ON Electronics

Largest Supplier of Electrical and Electronic Components

Click to view similar products for [RF Connectors](#) / [Coaxial Connectors](#) category:

Click to view products by [HYP](#) manufacturer:

Other Similar products are found below :

[89674-0827](#) [6059674-1](#) [630059-000](#) [6501-1071-002](#) [6769](#) [7002-1541-010](#) [7002-1572-002](#) [7004-1512-000](#) [7009-1511-004](#) [7101-1541-010](#)
[7101-1571-002](#) [7105-1521-002](#) [7145-1521-002](#) [7203-1571-003](#) [7209-1511-011](#) [7210-1511-040](#) [7242-1511-000](#) [7405-1521-005](#) [7405-1521-](#)
[802](#) [804S01D04M040](#) [8527](#) [8547](#) [FS11V](#) [877931](#) [8808-1511-001](#) [9049-9513-000](#) [9074-9513-000](#) [PL11C-026](#) [PL40-36](#) [9408-1113-000](#)
[980-8666-005](#) [11 SMA-50-2-6 / 111 NE](#) [11 SMA-50-3-6 / 111 NE](#) [11 SMA-50-2-6/111 NH](#) [1-201144-1](#) [120919](#) [R107003010W](#) [R112186000](#)
[R113053000W](#) [R113082097](#) [R113236000](#) [R114083000](#) [R114670000W](#) [R123415000W](#) [R124072220W](#) [R124076320](#) [R124076450](#)
[R124175123](#) [R124176123W](#) [R125075000W](#)