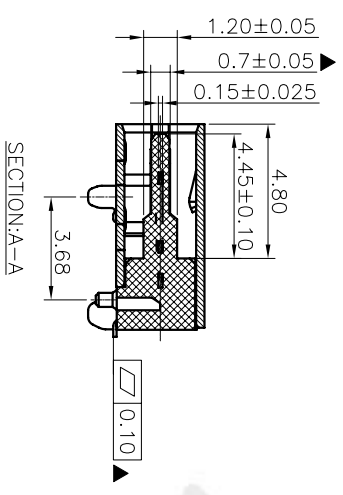
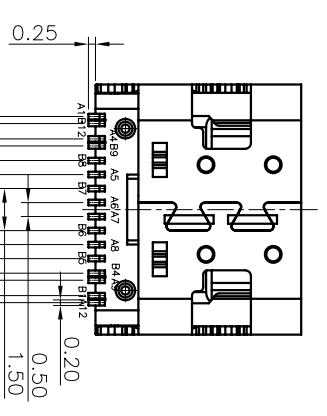
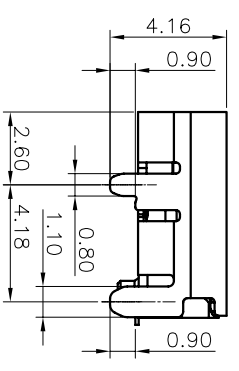
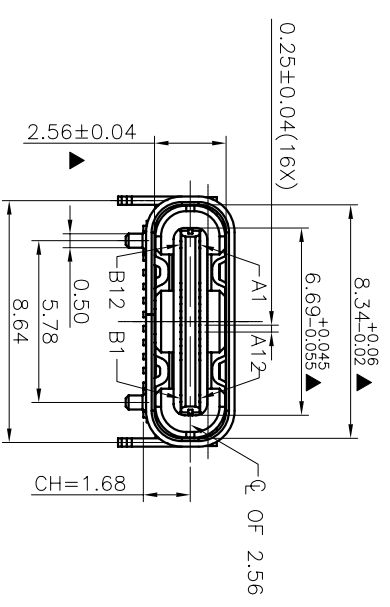
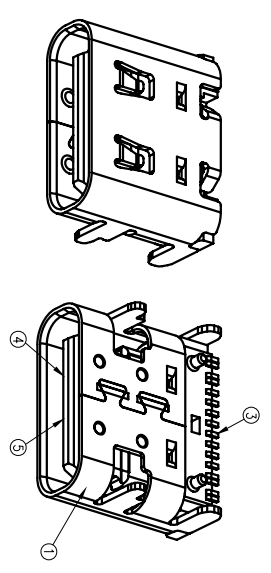
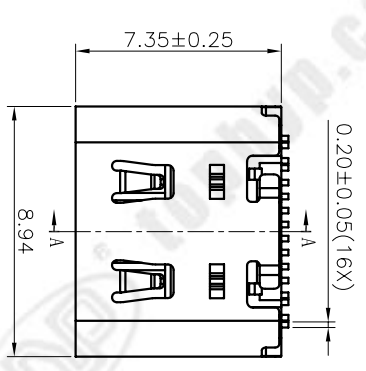


REV	ECN No.	DATE	REMARK
A	NEW	2019.01.10	NEW RELEASE
B	ECN2001005	2020.01.13	更新图纸
C	---	2024.02.20	更新新图框



- (1) HOUSING MATERIAL:
C:PA9T
- (2) HOUSING COLOR:
B:BLACK
- (3) CONTACTS PLATED:
1.2:接触镀金3u"其它GF"

8. PART NUMBER CODE:
TC146-16 C B 12 R - 02
(1) (2) (3)
4. I/R REFLOW:
THE PEAK TEMPERATURE ON THE BOARD SHALL BE MAINTAINED FOR 10 SECONDS AT 260°C.
5. COMPLIANCE WITH ROHS REQUIREMENTS.
6. SALT SPRAY: 48H
7. With-▲ for the key control size

- NOTE:
1. ELECTRICAL PERFORMANCE:
1-1. CURRENT RATING: 5 AMPS. FOR TOTAL VBUS/GND PINS;
1.25AMPS FOR CC PIN, 0.25 AMPS. FOR ALL OTHER CONTACT.
1-2. VOLTAGE RATING: 5V/20V DC/AC (RMS. MAX)
1-3. ICGR:
VBUS & GND PINS AND OTHER PINS: 40MQ/PIN MAX.
SHIELD: 50MQ/MAX.
LCLR MAX. CHANGE OF ALL PINS: 10MQ.
1-4. INSULATION RESISTANCE: 100MQ MIN
1-5. DIELECTRIC WITHSTAND VOLTAGE: AC 100V FOR 1 MINUTE.
2. MECHANICAL PERFORMANCE:
2-1. INSERTION FORCE: 5~20N.
2-2. EXTRACTON FORCE: 8~20N.
2-3. DURABILITY: 10000 CYCLES.
3. ENVIRONMENTAL PERFORMANCE:
OPERATING TEMPERATURE: -25°C~+85°C.

TABLE:

NO	PART	QTY	Material
1	SHELL	1	STAINLESS STEEL 304, BLACK NI 30u" MIN PLATED
2	Mid Plate	1	STAINLESS STEEL 301, NO PLATED
3	CONTACT	16	COPPER STEEL C18400, Au 3u"/Plated On Vontact Area GF Plated On Solder Area: Nickel 50u" Min Underplating Over All.
4	IMD HOUSING	1	PA9T BLACK UL94 V-0
5	ZMD HOUSING	1	PA9T BLACK UL94 V-0

PART NO.:
DRAWN BY:
K. DING

GENERAL TOLERANCES CHECKED BY:
S.L.LI

TITLE:
HON YUAN
HON YUAN PRECISION IND. CO., LTD.
SHENZHEN, CHINA, R.O.C.

APPROVED BY:
W.P.LU

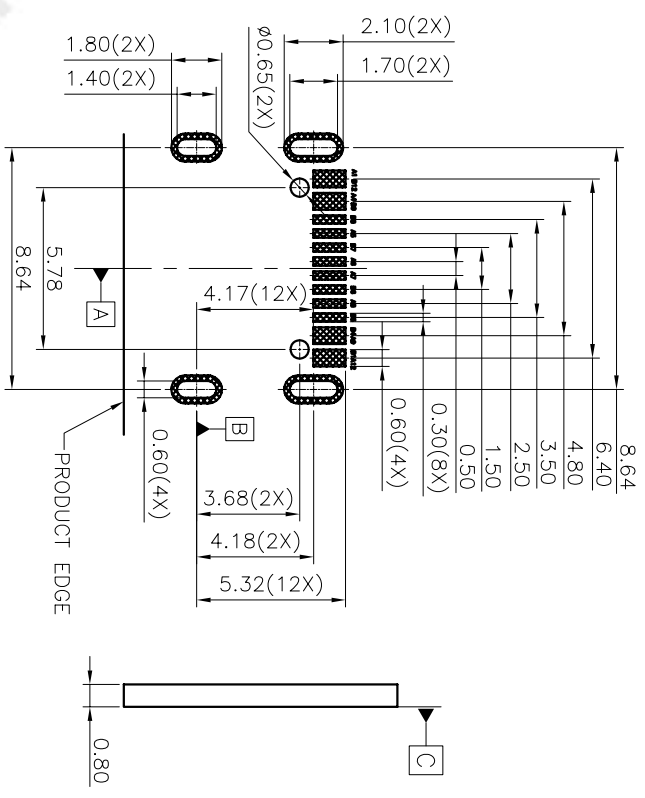
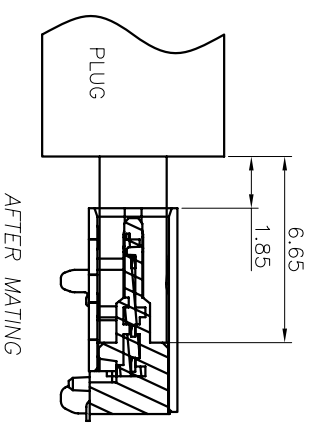
UNIT: mm

SCALE: 1:1

SHEET NO.: 1 OF 2

DWG. NO.: TC146-16C B12R-02

REV	ECN No.	DATE	REMARK
A	NEW	2019.01.10	NEW RELEASE
B	ECN2001005	2020.01.13	更新图纸 更新新图框
C	---	2024.02.20	



RECOMMENDED PCB LAYOUT(TOP VIEW)
THICKNESS 0.80MM;DEFAULT TOLERANCE:±0.05

PIN DEFINITION:

PIN No.	A1	A4	A5	A6	A7	A8	A9	A12
SIGNAL NAME	GND	VBus	CC1	D+	D-	SBU1	VBus	GND

PIN No.	B12	B9	B8	B7	B6	B5	B4	B1
SIGNAL NAME	GND	VBus	SBU2	D-	D+	CC2	VBus	GND

PART NO.:	DRAWN BY:	HON YUAN
SEE THE PART NUMBER CODE	K.DING	HON YUAN PRECISION IND. CO.,LTD.
GENERAL TOLERANCES	CHECKED BY:	SHENZHEN, CHINA, R.O.C.
x.xxx	S.L.I	
± 0.10	APPROVED BY:	
± 0.25	W.P.LU	
± 0.30		
ANGULAR ± --°		

USB TC 16PIN (L=7.35)WITH POST外壳插片

UNIT mm SCALE 1:1 SHEET NO. 2 OF 2 DWG.NO. TG46-16C218R-02

X-ON Electronics

Largest Supplier of Electrical and Electronic Components

Click to view similar products for [USB Connectors](#) category:

Click to view products by [HYP](#) manufacturer:

Other Similar products are found below :

[950](#) [MUSBD11135](#) [17-200721](#) [217450-1](#) [KMBVX-TH-5S-B30](#) [KUSBX-AS2N-W](#) [KUSBX-SMT2AP1S-W30](#) [935](#) [957](#) [30-498-6](#) [SK-60A-2](#)
[1734082-1](#) [30-470](#) [30-489](#) [30-541](#) [A-USB A-2P-C](#) [MIKROE-1451](#) [USBFTVSCCG](#) [1-1734084-2](#) [10135326-001LF](#) [4198](#) [USB-A-D-VT](#)
[USB-A-S-RA-TSMT](#) [1310-1023-02](#) [690-024-633-031](#) [UB-20PMFP-LC7001](#) [17-200011](#) [UB-20AFMM-LL7A01](#) [1040870124](#) [CAP-](#)
[WCCMLPB1](#) [CAP-WCCMLPC1](#) [2274475-3](#) [UB-20BMFA-SL8001](#) [914-614A2025S10200](#) [USB3FTV7SAGF059](#) [ZX40-B-5S-1500-](#)
[STDA\(30\)](#) [GSB3116344HR](#) [USB3FTV2SAZNF459](#) [USB3FTV7SAZNF459](#) [U221-041N-1WVS62-F5D](#) [HYCW153-USBD05-500B](#)
[HYCW219-USBD05-075B](#) [HYCW148-USBD05-117B](#) [HYCW149-USBD05-740B](#) [HYCW204-USBD05-108B](#) [HYCW214-USBA04-113B](#)
[HYCW213-USBA04-113B](#) [UB-20AMFM-SL7A01](#) [KMMX-BSMT35S-1-B30TR](#) [2345986-1](#)