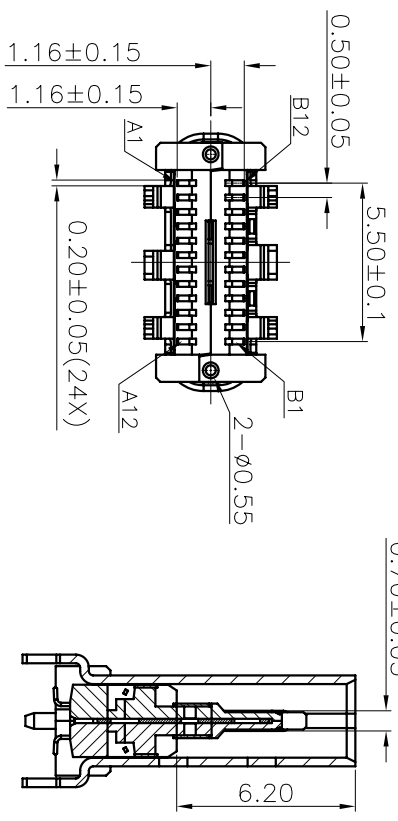
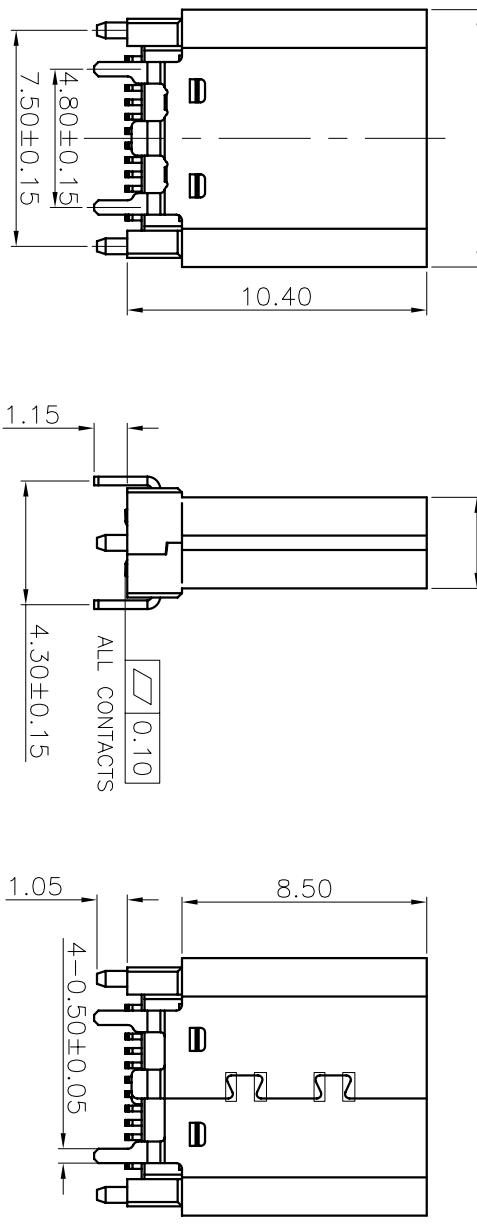
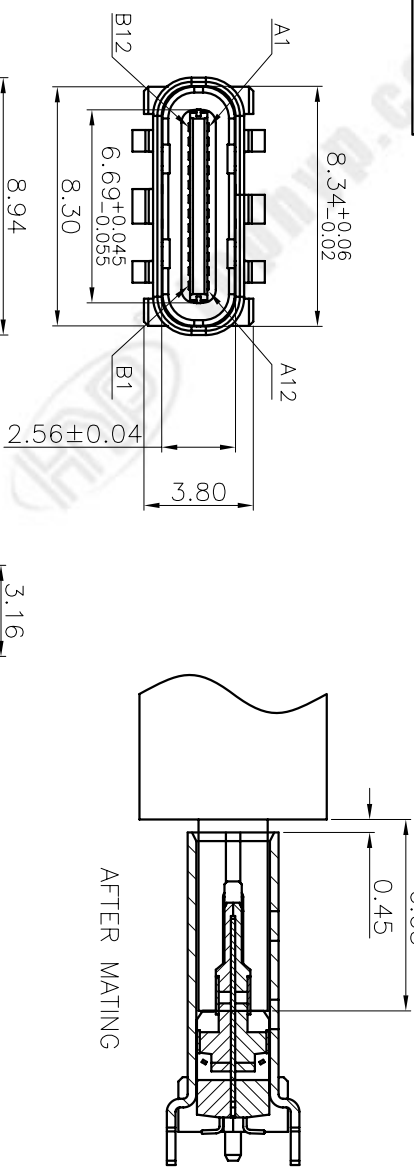


REV	ECN No.	DATE	REMARK
A0	NEW	2019.11.21	NEW RELEASE



SECTION:A-A

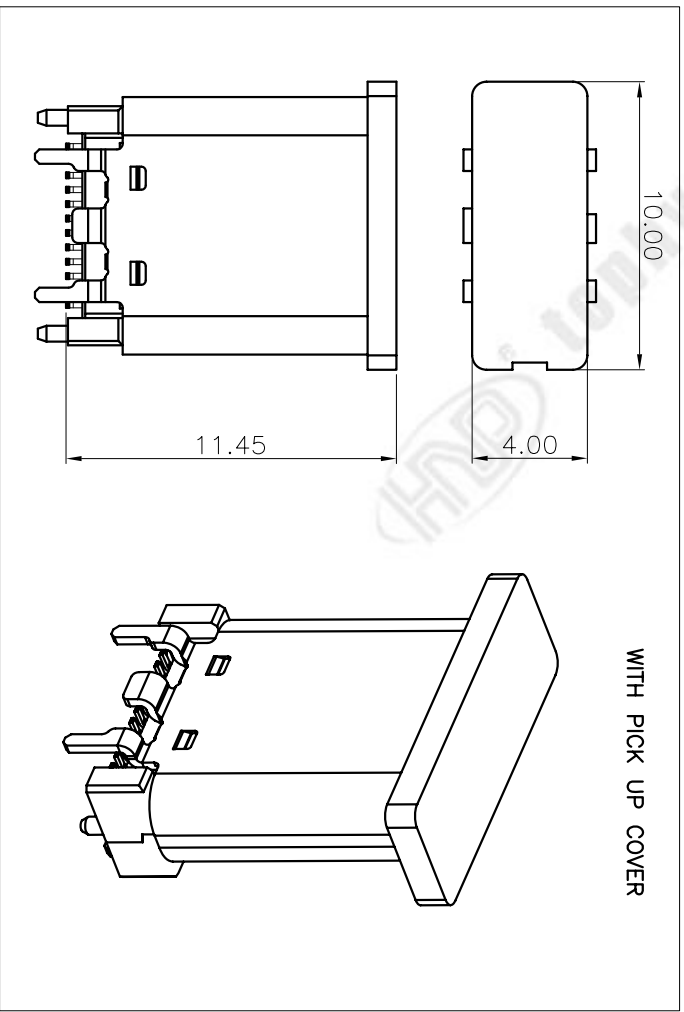
NOTE:
 1. MATERIAL SPECIFICATION:
 1.1. HOUSING: HIGH TEMPERATURE RESISTANT PLASTIC (LCP), UL94 V-0.
 2. CONTACTS: COPPER ALLOY (C18150) T=0.12mm
 3. MID PLATE: STAINLESS STEEL (SUS301) T=0.15mm
 4. EMI PLATE: STAINLESS STEEL (SUS301) T=0.10mm
 5. SHELL: STAINLESS STEEL (SUS304) T=0.30mm
 2. PLATING SPECIFICATION:
 2-1 CONTACTS:
 Ni 50u" MIN. UNDER PLATED OVER ALL.
 Au PLATED ON THE FUNCTIONAL AREA OF CONTACT.
 (GOLD PLATING THICKNESS FOLLOW THE P/N)
 PLATING SPECIFICATIONS OF THE SOLDER AREA FOLLOW THE P/N
 Ni 30u" MIN. UNDER PLATED OVER ALL.
 2-3. MID PLATE:
 CLEAR ONLY
 2-4. EMI PLATE:
 CLEAR ONLY
 3. MECHANICAL PERFORMANCE:
 3-1. INSERTION FORCE: 0.5~2.0kgf
 3-2. EXTRACTION FORCE: 0.8kgf~2.0kgf
 3-3. DURABILITY: 10000 CYCLES.
 4. ELECTRICAL PERFORMANCE:
 4-1. CURRENT RATING: 5.0A
 VOLTAGE RATING: 5.0V
 4-2. ICLR: VBUS & GND PINS AND OTHER PINS: 40mq/PIN MAX. SHEILD: 50mq/MAX. ICLR MAX. CHANGE OF ALL PINS: 10mq.
 4-3. INSULATION RESISTANCE: 100MQ MIN.
 4-4. DIELECTRIC WITHSTAND VOLTAGE: AC 100V FOR 1 MINUTE.
 5. ENVIRONMENTAL PERFORMANCE:
 5.1. OPERATING TEMPERATURE: -25°C~+85°C.
 6. IR REFLOW:
 THE PEAK TEMPERATURE ON THE BOARD SHALL BE MAINTAINED FOR 10 SECONDS AT 260°C.

7. PART NUMBER CODE:
 T C175 - 24 S L X XX R - C3
 (1) HOUSING COLOR: (2) CONTACTS PLATED:
 B: BLACK 02: 半金鍍50"
 N: 本色 04: 半金鍍150"
 05: 半金鍍50u"

PART NO.:	HON YUAN
SEE THE PART NUMBER CODE	HON YUAN PRECISION IND. CO., LTD. SHENZHEN, CHINA, R.O.C.

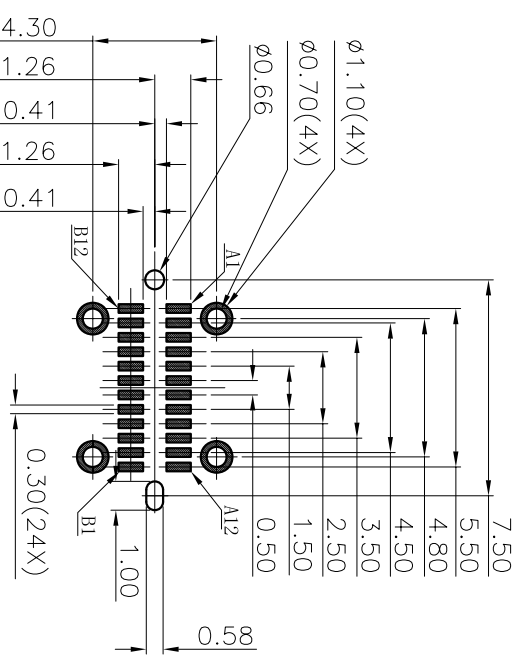
QUALITY SYMBOL	GENERAL TOLERANCES (UNLESS SPECIFIED)	TITLE	DWG NO.	DIMENSION STYLE	DESIGN UNITS	SHEET NO.	SCALE	APPROVED BY	DATE
	XXXXXX	USB 3.1 TYPE C FEMALE VERTICAL		MM	MM	1	DF 2	W.P.LU	2019.11.21
	XXXXX	H10.4mm SMT TYPE一体成型		MM	MM	1	DF 2		
	XXX	TC175-24SL B02R-C3		MM	MM	1	DF 2		
	XX			MM	MM	1	DF 2		
	ANGULAR			MM	MM	1	DF 2		

REV	ECN No.	DATE	REMARK
A0	NEW	2019.11.21	NEW RELEASE



USB TYPE-C PIN ASSIGNMENTS

PIN NUMBER	SIGNAL NAME	PIN NUMBER	SIGNAL NAME
A1	GND	B12	GND
A2	SSTXp1	B11	SSRXp1
A3	SSTXn1	B10	SSRXn1
A4	VBUS	B9	VBUS
A5	CC1	B8	SBU2
A6	Dp1	B7	Dn2
A7	Dn1	B6	Dp2
A8	SBU1	B5	CC2
A9	VBUS	B4	VBUS
A10	SSRXn2	B3	SSTXn2
A11	SSRXp2	B2	SSTXp2
A12	GND	B1	GND



RECOMMENDED PCB LAYOUT(TOP VIEW)
 THICKNESS: 1.5±0.10MM;DEFAULT TOLERANCE:±0.05

PART NO.: SEE THE PART NUMBER CODE		HON YUAN HON YUAN PRECISION IND. CO., LTD. SHENZHEN, CHINA, R.O.C.	
QUALITY SYMBOL GENERAL TOLERANCES (UNLESS SPECIFIED) XXXXX ± 0.10 XXXX ± 0.25 XXX ± 0.30 ANGULAR ± --°		TITLE USB 3.1 TYPE C FEMALE VERTICAL H10.4mm SMT TYPE一体成型	
DWGNO: TC175-24SL B02R-C3		DESIGN STYLE: DIMENSION STYLE: MM ONLY	
SHEET NO. 2 OF 2 SCALE 1:1		DESIGN UNITS: METRIC	
DRAWN BY: K.DING DATE: 2019.11.21		CHECKED BY: S.LLI DATE: 2019.11.21	
APPROVED BY: W.P.LU DATE: 2019.11.21		THIRD ANGLE PROJECTION	

X-ON Electronics

Largest Supplier of Electrical and Electronic Components

Click to view similar products for [USB Connectors](#) category:

Click to view products by [HYP](#) manufacturer:

Other Similar products are found below :

[950](#) [MUSBD11135](#) [17-200721](#) [217450-1](#) [KMBVX-TH-5S-B30](#) [KUSBX-AS2N-W](#) [KUSBX-SMT2AP1S-W30](#) [935](#) [957](#) [30-498-6](#) [SK-60A-2](#)
[1734082-1](#) [30-470](#) [30-489](#) [30-541](#) [A-USB A-2P-C](#) [MIKROE-1451](#) [USBFTVSCCG](#) [1-1734084-2](#) [10135326-001LF](#) [4198](#) [USB-A-D-VT](#)
[USB-A-S-RA-TSMT](#) [1310-1023-02](#) [690-024-633-031](#) [UB-20PMFP-LC7001](#) [17-200011](#) [UB-20AFMM-LL7A01](#) [1040870124](#) [CAP-](#)
[WCCMLPB1](#) [CAP-WCCMLPC1](#) [2274475-3](#) [UB-20BMFA-SL8001](#) [914-614A2025S10200](#) [USB3FTV7SAGF059](#) [ZX40-B-5S-1500-](#)
[STDA\(30\)](#) [GSB3116344HR](#) [USB3FTV2SAZNF459](#) [USB3FTV7SAZNF459](#) [U221-041N-1WVS62-F5D](#) [HYCW153-USBD05-500B](#)
[HYCW219-USBD05-075B](#) [HYCW148-USBD05-117B](#) [HYCW149-USBD05-740B](#) [HYCW204-USBD05-108B](#) [HYCW214-USBA04-113B](#)
[HYCW213-USBA04-113B](#) [UB-20AMFM-SL7A01](#) [KMMX-BSMT35S-1-B30TR](#) [2345986-1](#)