



**IAR Embedded
Workbench**

IAR Debug probes User Guide

I-jet[®], I-jet Trace, and I-scope[™]

for Advanced RISC Machines Ltd's
ARM[®] Cores

IARprobes-6


IAR
SYSTEMS

COPYRIGHT NOTICE

© 2012-2017 IAR Systems AB.

No part of this document may be reproduced without the prior written consent of IAR Systems AB. The software described in this document is furnished under a license and may only be used or copied in accordance with the terms of such a license.

DISCLAIMER

The information in this document is subject to change without notice and does not represent a commitment on any part of IAR Systems. While the information contained herein is assumed to be accurate, IAR Systems assumes no responsibility for any errors or omissions.

In no event shall IAR Systems, its employees, its contractors, or the authors of this document be liable for special, direct, indirect, or consequential damage, losses, costs, charges, claims, demands, claim for lost profits, fees, or expenses of any nature or kind.

TRADEMARKS

IAR Systems, IAR Embedded Workbench, IAR Connect, C-SPY, C-RUN, C-STAT, visualSTATE, IAR KickStart Kit, IAR Experiment!, I-jet, I-jet Trace, I-scope, IAR Academy, IAR, and the logotype of IAR Systems are trademarks or registered trademarks owned by IAR Systems AB.

Microsoft and Windows are registered trademarks of Microsoft Corporation.

ARM and Thumb are registered trademarks of Advanced RISC Machines Ltd. EmbeddedICE is a trademark of Advanced RISC Machines Ltd. uC/OS-II and uC/OS-III are trademarks of Micrium, Inc. CMX-RTX is a trademark of CMX Systems, Inc. ThreadX is a trademark of Express Logic. RTX is a trademark of Quadros Systems. Fusion is a trademark of Unicoi Systems.

Adobe and Acrobat Reader are registered trademarks of Adobe Systems Incorporated.

All other product names are trademarks or registered trademarks of their respective owners.

EDITION NOTICE

Sixth edition: March 2017

Part number: IARprobes-6

Internal reference: IMAE.

Contents

I-jet	5
Introduction	5
The I-jet in-circuit debugging probe	5
Requirements	7
Supported ARM core families	7
Target connections	7
Working with I-jet	7
Setup and installation	8
Connecting the target system	8
Updating the probe firmware	9
Technical specifications	13
The I-jet package	13
Model specifications	13
JTAG timing specification	15
Hardware revision history	16
Target interface	17
Indicators	20
Adapters	21
I-jet Trace	35
Introduction	35
The I-jet Trace CM and I-jet Trace A/R/M in-circuit debugging probes	35
Requirements	36
Target connections	37
Working with I-jet Trace	37
Setup and installation	38
Connecting the target system	38
Using trace	39
Updating the probe firmware	39

Technical specifications	40
The I-jet Trace package	40
Model specifications	40
Hardware revision history	42
Connectors	43
Indicators	45
Adapters	47
Designing target boards for ETM trace	51
General PCB layout guidelines	51
I-scope	55
Introduction	55
Reasons for using I-scope	55
The I-scope probe	55
Current and voltage measurement using I-scope	55
Working with I-scope	57
Installation	58
Technical specifications	58
The I-scope package	58
External characteristics	59
I-scope probe specification	60

I-jet

- Introduction
- Working with I-jet
- Technical specifications

Introduction

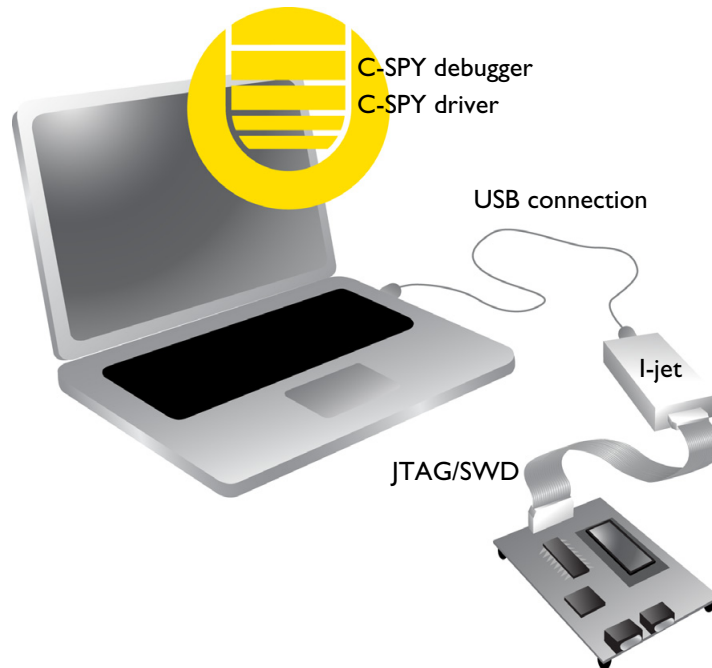
These topics are covered:

- The I-jet in-circuit debugging probe
- Requirements
- Supported ARM core families
- Target connections.

THE I-JET IN-CIRCUIT DEBUGGING PROBE

The I-jet in-circuit debugging probe has full support for on-chip trace: ETB, MTB, and TMC (Trace Memory Controller).

I-jet connects to the target board via a JTAG, SWD, or cJTAG connection, and to the host computer via the USB port.



I-jet communicates using USB 2.0. USB 1.0 is also supported but not advised. The I-jet in-circuit debugging probe is also referred to as a debug probe, debug adapter, or JTAG in-circuit emulator by different tool vendors.



I-jet streams the program counter, variables, and power measurement data to the host computer to provide a view into program execution in real time. Besides the typical JTAG debugging, I-jet is capable of providing power to the target board and measuring

it with sufficient accuracy to provide a power profile during program execution in real time. This feature is referred to as *power debugging*.

For debugging Cortex devices, I-jet also supports the SWO (Serial Wire Output) feature, which can be used for tracing the program execution and tracking variables at predefined points in your code.

The I-jet in-circuit debugging probe has full support for on-chip trace: ETB, MTB, and TMC (Trace Memory Controller).

REQUIREMENTS

I-jet needs to be controlled by the IAR C-SPY® Debugger which comes with the IAR Embedded Workbench® IDE.

SUPPORTED ARM CORE FAMILIES

These cores are currently supported:

- ARM7
- ARM9
- ARM11
- Cortex-M
- Cortex-R
- Cortex-A.

TARGET CONNECTIONS

These interfaces are supported:

- MIPI-20 (part number SHF-110-01-L-D): JTAG, cJTAG, SWD, SWO, ETM
- MIPI-10 (part number SHF-105-01-L-D): JTAG, cJTAG, SWD, SWO
- ARM-20 (part number HTST-110-01-L-DV): JTAG, cJTAG, SWD, SWO

I-jet comes with a MIPI-20 connector on the front panel and with MIPI-20 and MIPI-10 cables, as well as a legacy ARM-20 adapter.

All other available I-jet adapters are also compatible with I-jet Trace.

Working with I-jet

These tasks are covered:

- Setup and installation
- Connecting the target system.

- Updating the probe firmware

For information about debugging using I-jet, see the *C-SPY® Debugging Guide for ARM*.

SETUP AND INSTALLATION

Software

Before you can use I-jet, you need to install IAR Embedded Workbench for ARM.

Probe setup

I-jet does not require any special driver software installation. Normally, all drivers for I-jet are automatically installed as part of the installation of IAR Embedded Workbench.

If you need to install the USB driver manually, navigate to

`\Program Files\IAR Systems\Embedded Workbench x.x\arm\drivers\jet\USB\32-bit` or `64-bit` (depending on your system). Start the `dpinst.exe` application. This will install the USB driver.

For information about using multiple I-jet probes on the same host computer, see the *C-SPY® Debugging Guide for ARM*.

CONNECTING THE TARGET SYSTEM

Power-up your I-jet probe

- 1 Connect I-jet to the host computer using the USB micro cable.
- 2 Connect I-jet to the target board using the cable that matches the target board connector (MIPI-20 or MIPI-10). If a standard JTAG connector is used, you must first plug the ARM-20 to MIPI-20 adapter into the JTAG connector.

Note: No harm is done if the above order is reversed.



To prevent damage, the target GND and the USB host GND must be at the same level. When *hot-plugging*, make sure that the PC and the target board power supply are connected to the same grounded wall outlet or a common grounded desktop power strip.

Power up your evaluation board

If you have an evaluation board that is prepared for it, you can power the board via I-jet through pin 19 on the standard ARM-20 connector, or pin 11/13 on the small MIPI-20 connector. Target power of up to 420 mA can be supplied from I-jet with overload protection. Most of the IAR Systems KickStart Kits contain an evaluation board that can be powered this way. Make sure that the power jumper found on most of these boards matches your setup.

Note: The target board will get power via I-Jet once you choose the **Download and Debug** or **Debug without Downloading** command, but not before.

Note: The only way to use the power debugging feature is to power up your evaluation board via I-jet.

UPDATING THE PROBE FIRMWARE

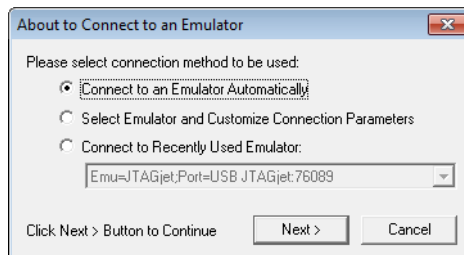
I-jet and I-jet Trace are designed so that firmware updates are not necessary unless new features added to IAR Embedded Workbench for ARM require extra hardware support. When a new version of IAR Embedded Workbench for ARM is released and a new feature that requires new firmware is used, C-SPY displays a message in the **Debug Log** window asking you to update the firmware.

Note: Support for new MCU devices is managed totally by software updates in IAR Embedded Workbench for ARM and has nothing to do with I-jet or I-jet Trace firmware.

For more information about firmware versions, see the release notes.

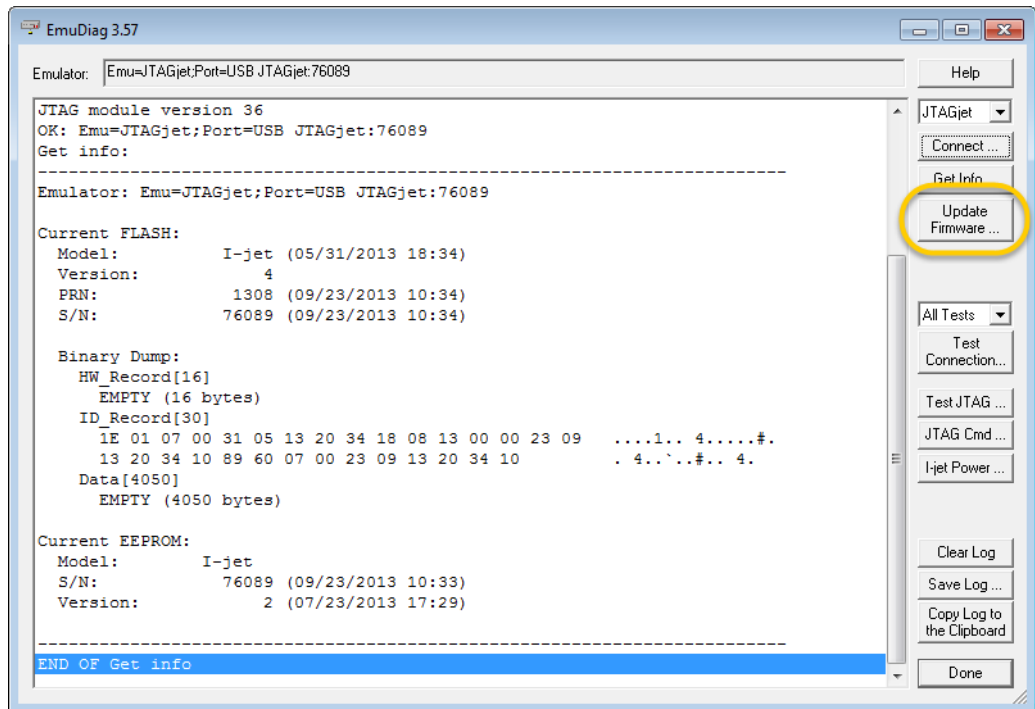
To update the probe firmware:

- 1 In IAR Embedded Workbench, choose **I-jet/JTAGjet>EmuDiag** to display the **About to Connect to an Emulator** dialog box.

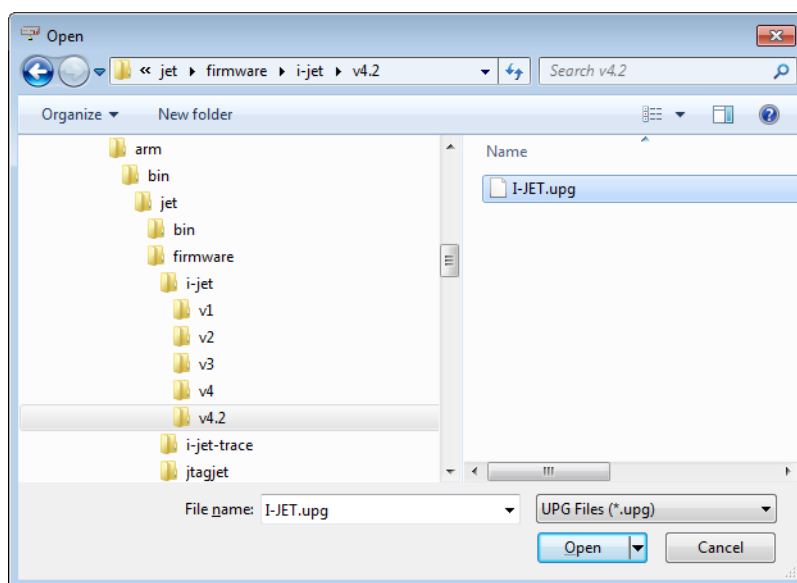


Select **Connect to an Emulator Automatically** and click **Next**.

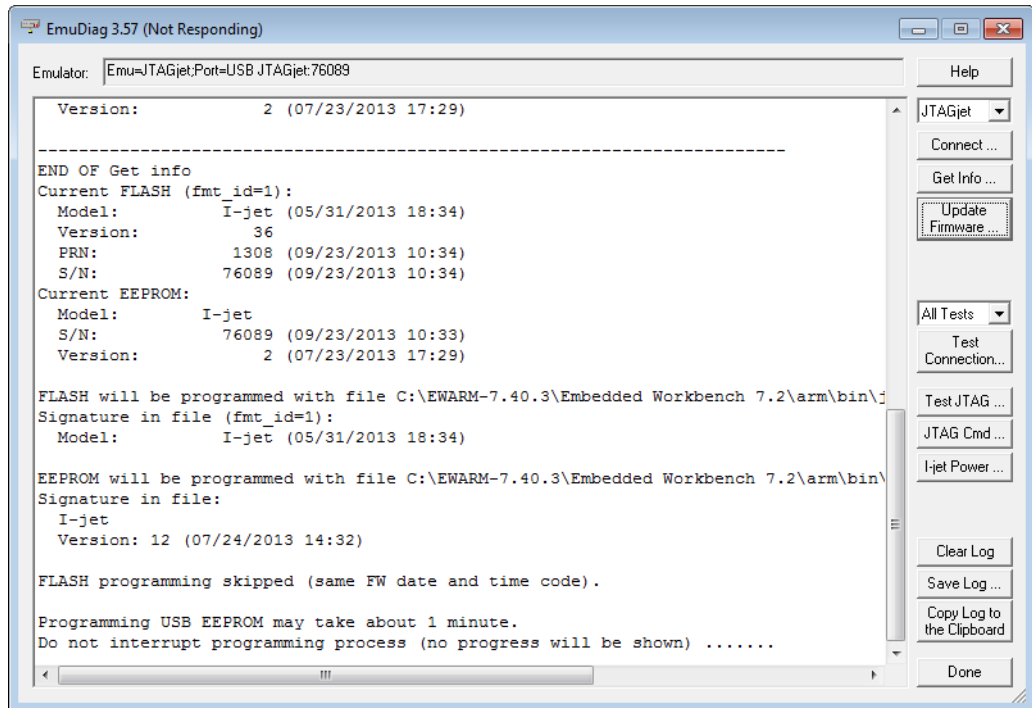
2 In the **EmuDiag** dialog box that is displayed, click the **Update Firmware** button.



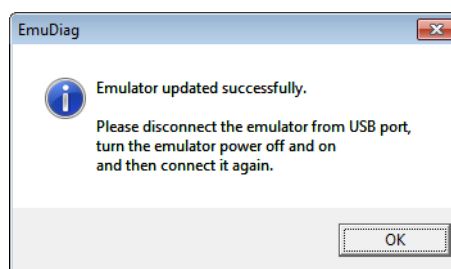
- 3 In the dialog box that is displayed, browse to the `arm\bin\jet\firmware\i-jet` folder of your IAR Embedded Workbench installation. In one of the subfolders, select the firmware file that you want to use and click **Open**.



4 The update log information is printed in the **EmuDiag** dialog box.



5 When the firmware update is complete, a message is displayed.



Technical specifications

Reference information about:

- *The I-jet package*, page 13
- *Model specifications*, page 13
- *JTAG timing specification*, page 15
- *Hardware revision history*, page 16
- *Target interface*, page 17
- *The JTAG/SWD - MIPI-20 cable*, page 17
- *The JTAG/SWD - MIPI-10 cable*, page 19
- *Indicators*, page 20
- *Adapters*, page 21.

THE I-JET PACKAGE

The I-jet package contains:

- The I-jet in-circuit debugging probe
- MIPI-20 JTAG cable
- MIPI-10 JTAG cable
- USB 2.0 Micro B cable
- MIPI-20 to ARM-20 adapter
- Welcome letter.

MODEL SPECIFICATIONS

These are the specifications of I-jet:

USB speed	480 Mbps (USB 2.0)
USB connection	Micro-B
Target connection	MIPI-20, MIPI-10
Adapters included	MIPI-20 to ARM-20
I-jet debug interface	JTAG and SWD
JTAG/SWD maximum clock	32 MHz
SWO protocols supported	Manchester and UART
SWO maximum speed	60 Mbps

Power supplied to target	420 mA max at 4.4 V-5 V
Over-current protection	~520 mA
Target power measurement resolution	~160 uA
Target power measurement speed	up to 200 ksps (kilo samples per second)
JTAG voltage range (auto-sensing)	1.65 V to 5.5 V
JTAG VTref measurement resolution	~2 mV
Current draw from VTref	< 50 uA
JTAG clock rise/fall time (TCK)	<= 2 ns*
Clock fall time	<= 2 ns*

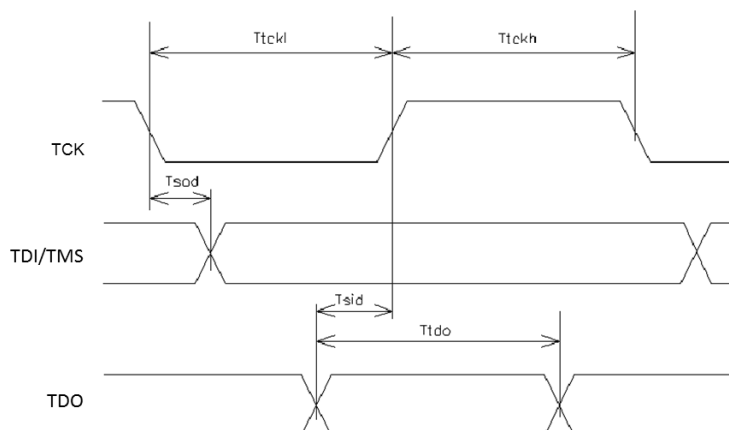
* <= 4 ns when the target board is connected

I-jet comes with a 20-pin MIPI connector (0.05 in × 0.05 in pitch) on the front panel. It includes two cables:

- A 6-inch cable with 20-pin MIPI connectors on both ends for the Cortex-M targets with 20-pin MIPI headers. Pin 7 on each end is keyed with a white plug.
- A 6-inch cable with 20-pin MIPI connectors on one side (to connect to I-jet), and 10-pin MIPI connector on the other side for connection to Cortex-M targets with 10-pin headers. Pin 7 on each end is keyed with a white plug. A red stripe on the cable indicates pin 1 (VTref).

JTAG TIMING SPECIFICATION

This figure shows the JTAG timing and parameters:



In a JTAG device that fully complies to IEEE1149.1 standard, the TDI/TMS signals should be sampled on the rising edge of TCK, and TDO should be sent on the falling edge of TCK. I-jet takes advantage of these requirements and changes its TDI and TMS signals on the falling edge of TCK and samples the TDO on the rising edge of TCK. However, to accommodate target boards with long JTAG chains and fast JTAG clocks, I-jet allows TDO to be as late as 50 ns after the rising edge of TCK.

Note: In the adaptive mode of operation, I-jet samples the TDO on the rising edge of RTCK rather than TCK.

This table shows the timing specifications of the JTAG port measured at the end of its MIPI-20 cable without connection to target (V_{Tref} set to 3.3 V). The only load on the measured signals is the oscilloscope 3.9 pF probe.

Parameter	Min	Max	Description
T_{tckl}	15.6 ns	250 us	TCK LOW period
T_{tckh}	15.6 ns	250 us	TCK HIGH period
T_{sod}^1	--	2.0 ns	TDI and TMS outputs valid from TCK falling
T_{sid}^2	3 ns before TCK to 50 ns after TCK	--	TDO setup to TCK rising
T_{tdo}	T_{tckl}	--	TDO valid length

Table 1: Timing for the I-jet JTAG port

1 T_{sod} is the maximum delay from the falling edge of TCK and a valid level on the I-jet output signals TDI and TMS. The target MCU will sample these signals on the following rising edge of TCK and so the minimum setup time for the target, relative to the rising edge of TCK, is $T_{bscl} - T_{bsod}$.

2 T_{sid} is the minimum setup time for the TDO input signal, relative to the rising edge of TCK when I-jet samples this signal. Because the target MCU changes its TDO value on the previous falling edge of TCK, there might not be enough time at very-high JTAG speeds for the TDO to arrive before the positive edge of TCK. To compensate for any TDO delays, I-jet configures itself automatically to delays introduced to the TDO by the target board and will tolerate TDO delays of up to 50 ns after the positive edge of the TCK.

HARDWARE REVISION HISTORY

These are the versions of I-jet:

Version	Change specification	Date
Version A	The first version	April 2012

Table 2: I-jet versions

Version, production date, and serial number can be found on the backside of the probe.

Note: In IAR Embedded Workbench, choose **I-jet/JTAGjet>EmuDiag** to open the **EmuDiag** dialog box where you can find both hardware and firmware versions of the plugged-in I-jet.

TARGET INTERFACE

This section contains descriptions of pinout, signals, and connectors.

The JTAG/SWD - MIPI-20 cable

I-jet comes with a 6-inch cable with 20-pin MIPI connectors on both ends for the Cortex-M devices with 20-pin MIPI headers. Pin 7 on each end is keyed with a white plug:

VTref	1 ● ● 2	SWDIO/TMS
GND	3 ● ● 4	SWCLK/TCK
GND	5 ● ● 6	SWO/TDO
---	7 ● 8	TDI
GND	9 ● ● 10	nRESET
TgtPwr	11 ● ● 12	TRACECLK
TgtPwr	13 ● ● 14	TRACEDATA[0]/SWO2
GND	15 ● ● 16	TRACEDATA[1]/nTRST
GND	17 ● ● 18	TRACEDATA[2]
GND	19 ● ● 20	TRACEDATA[3]

The mating connector for a target board has the part number SHF-110-01-L-D.

These are the MIPI-20 pin definitions:

Pin	Signal	Type	Description
1	VTref	Input	The target reference voltage. Used by I-jet to check whether the target has power, to create the logic-level reference for the input comparators, and to control the output logic levels to the target. It is normally fed from JTAG I/O voltage.
2	SWDIO/TMS	I/O, output	JTAG mode set input of target CPU. This pin should be pulled up on the target. Typically connected to TMS of the target CPU.
3			This pin is a GND pin connected to GND in I-jet. It should also be connected to GND in the target system.
4	SWCLK/TCK	Output	JTAG clock signal to target CPU. It is recommended that this pin is pulled to a defined state of the target board. Typically connected to TCK of the target CPU.

Table 3: MIPI-20 pin definitions

Pin	Signal	Type	Description
5			This pin is a GND pin connected to GND in I-jet. It should also be connected to GND in the target system.
6	SWO/TDO	Input	JTAG data output from target CPU. Typically connected to TDO of the target CPU. When using SWD, this pin is used as Serial Wire Output trace port. (Optional, but not required for SWD communication.)
--	--	--	This pin (normally pin 7) does not exist.
8	TDI	Output	JTAG data input of target CPU. It is recommended that this pin is pulled to a defined state on the target board. Typically connected to TDI of the target CPU. For CPUs which do not provide TDI (SWD-only devices), this pin is not used (tri-stated).
9			This pin is a GND pin connected to GND in I-jet. It should also be connected to GND in the target system.
10	nRESET	I/O	Target CPU reset signal. Typically connected to the RESET pin of the target CPU, which is typically called nRST, nRESET, or RESET.
11	TgtPwr	Output	This pin can be used for supplying 5 V power to the target hardware from I-jet.
12	TRACECLK	Input	Input trace clock.
Not used			
13	TgtPwr	Output	This pin can be used for supplying 5 V power to the target hardware from I-jet.
14	TRACEDATA[0]/ SWO2	Input	Input Trace data pin 0. This pin can be used as secondary SWO.
Not used			
15			This pin is a GND pin connected to GND in I-jet. It should also be connected to GND in the target system.
16	TRACEDATA[1]/ nTRST	Input	Input Trace data pin 1. This pin can be used as nTRST.
Not used			
17			This pin is a GND pin connected to GND in I-jet. It should also be connected to GND in the target system.

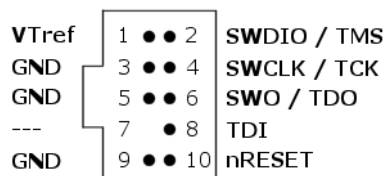
Table 3: MIPI-20 pin definitions

Pin	Signal	Type	Description
18	TRACEDATA[2]	Input	Input Trace data pin 2.
Not used			
19			This pin is a GND pin connected to GND in I-jet. It should also be connected to GND in the target system.
20	TRACEDATA[3]	Input	Input Trace data pin 3.
Not used			

Table 3: MIPI-20 pin definitions

The JTAG/SWD - MIPI-10 cable

I-jet also comes with a 6-inch cable with a 20-pin MIPI connector on one side (to connect to I-jet) and a 10-pin MIPI connector on the other side for connection to Cortex devices with 10-pin headers. Pin 7 on each end is keyed with a white plug:



The mating connector for a target board has the part number SHF-105-01-L-D.

These are the MIPI-10 pin definitions:

Pin	Signal	Type	Description
1	VTref	Input	The target reference voltage. Used by I-jet to check whether the target has power, to create the logic-level reference for the input comparators, and to control the output logic levels to the target. It is normally fed from JTAG I/O voltage.
2	SWDIO/TMS	I/O, output	JTAG mode set input of target CPU. This pin should be pulled up on the target. Typically connected to TMS of the target CPU. When using SWD, this pin is used as Serial Wire Output trace port. (Optional, not required for SWD communication)
3	GND	GND	Connected to logic GND on I-jet.
4	SWCLK/TCK	Output	JTAG clock signal to target CPU. It is recommended that this pin is pulled to a defined state of the target board. Typically connected to TCK of the target CPU.

Table 4: MIPI-10 pin definitions

Pin	Signal	Type	Description
5	GND	GND	Connected to logic GND on I-jet.
6	SWO/TDO	Input	JTAG data output from target CPU. Typically connected to TDO of the target CPU.
7	--	KEY	KEY or GND.
8	TDI/NC	Output	JTAG data input of target CPU. It is recommended that this pin is pulled to a defined state on the target board. Typically connected to TDI of the target CPU. For CPUs that do not provide TDI (SWD-only devices), this pin is not used (tri-stated).
9	GND	GND	GND and target detect presence.
10	nRESET	Output	nRESET or TRST.

Table 4: MIPI-10 pin definitions

INDICATORS

I-jet has three LED indicators on the top, marked TPWR, DBG, and USB. This section describes the indicators and their statuses.

The TPWR indicator (Target power)

Indicator status	Description
Off	Power to target is not provided by I-jet.
Green	Power to target is provided by I-jet.
Yellow	Warning. Power to target is above 420 mA.
Red	Error. Overcurrent limit (520 mA) detected and power to target was switched off for protection.

Table 5: TPWR indicator statuses

The DBG indicator (JTAG/SWD)

Indicator status	Description
Off	vTRef on JTAG header is too low.
Green	vTRef is at or above 1.8 V.
Green blinking	Indicates JTAG/SWD communication activity.

Table 6: JTAG indicator statuses

The USB indicator

Indicator status	Description
Off	No USB power.
Green steady	Initial state or no transfer.
Green blinking	USB transfers to or from I-jet.
Red blinking	USB enumeration.
Red steady	USB did not enumerate or broken hardware.

Table 7: USB indicator statuses

ADAPTERS

There are a number of useful adapters available. All of them are automatically recognized by I-jet. The following adapters are described in detail:

- The MIPI20 isolation adapter
- The MIPI-20 to ARM-20 adapter
- The MIPI-20 to TI-14 adapter
- The MIPI-20 to cTI-20 adapter.

Adapters not included in the I-jet package can be purchased from IAR Systems.

These are the mating target headers for the adapters

TI-14	cTI-20
HTST-107-01-L-DV	TML-110-02-GD-SM-006 (shrouded)
	FTR-110-51-S-D-06 (unshrouded)

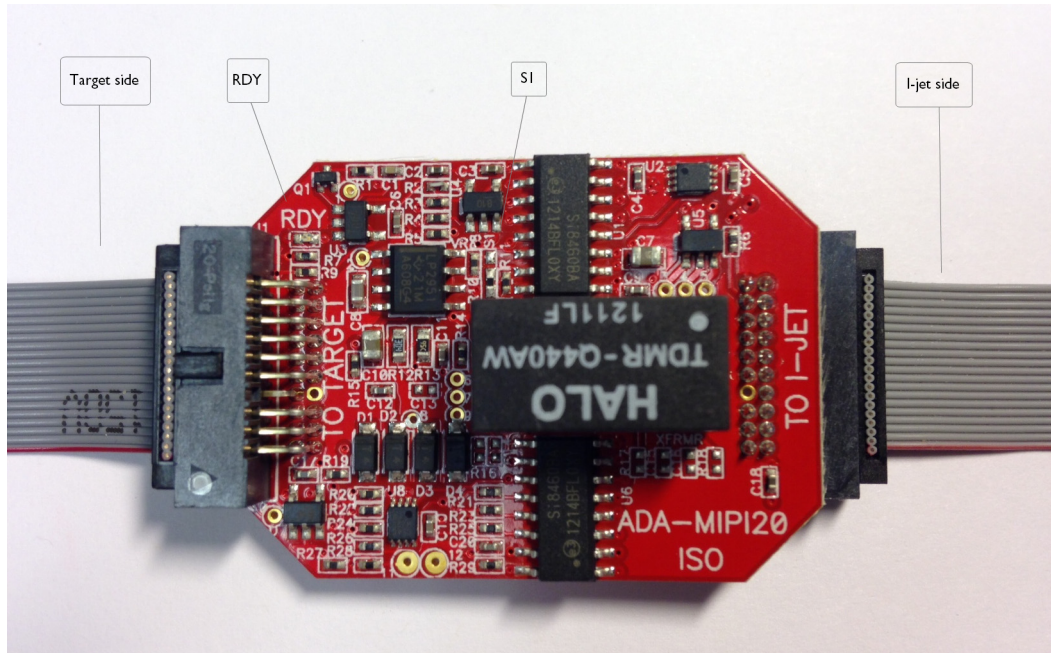
Table 8: Mating target headers, part numbers

The ADA to MIPI20-ISO isolation adapter

The isolation adapter galvanically isolates signals between the I-jet MIPI-20 connector and the target MIPI-20 connector. You can use it to reduce the risk of damage to the I-jet debug probe associated with power ground loops, voltage spikes, electrostatic discharge (ESD), and noisy power and ground lines generated by targets which drive high-current motors and other machinery.

The adapter has two MIPI-20 headers marked **TO I-JET** and **TO TARGET**. Make sure to connect the headers correctly because switching the sides will not work and might damage the adapter. The target side of the isolation adapter can be used with any other passive I-jet adapters ID needed: ADA-MIPI20-ARM20, ADA-MIPI20-TI14, ADA-MIPI20-CTI20, and the MIPI20-MIPI10 cable.

The adapter is automatically recognized by the C-SPY, and the adapter powers up and the green **RDY** LED is turned on.



Specifications

- Galvanic isolation up to 3000 V peak* (< 1 sec transients. See safety note.) with continuous working voltage operation of up to 300 V.
- Compatible with I-jet
- Supports JTAG, SWD, and SWO debug modes
- Compatible with I-jet Trace in JTAG, SWD, and SWO modes only (ETM trace is not supported)
- Powered entirely by I-jet via pins 11 and 13 on the MIPI-20 header
- The **RDY** LED indicates that the unit is powered and ready to use
- Supports target voltages from 2.5 to 5 V
- JTAG clock speed up to 32 MHz

Compatibility notes

- The adapter might not be automatically detected and powered by older versions of IAR Embedded Workbench for ARM. In such cases, select the **Target Power** option on the **Project>Options>Debugger>I-jet/JTAGjet>Setup** page.
- The adapter does not supply power to target and therefore does not resume the target power consumption.
- When used with the TI14 and CTI20 adapters, the EMU0 and EMU1 signals are not connected.
- Due to added JTAG signals propagation delays, some target boards might not work at the full 32 MHz JTAG clock speed, so reducing the JTAG speed in C-SPY might be needed.
- The majority of target boards have the SWO signal routed to pin 6 of the target MIPI20 debug connector. In cases when pin 14 is used for SWO, you must move the OR shunt (marked S1) up from position 3-2 to position 2-1.
- The adapter does not support 1.8 V JTAG signals from target. The target JTAG voltage range is limited to 2.5-5 V.
- The JTAG interface on the target side automatically adapts to the voltage given on the target VTREF pin (2.5 V-5 V). Because of the isolation barrier, the I-jet side uses its own voltage, independent of the target voltage. This is for information only and has no effect on the target JTAG operation.
- ETM trace is not supported by this adapter.
- This adapter cannot be used with I-scope.

MIPI20 connector pinout on target side

VTref	1 ●	● 2	SWDIO/TMS
GND	3 ●	● 4	SWCLK/TCK
GND	5 ●	● 6	SWO/TDO
---	7 ●	● 8	TDI
GND	9 ●	● 10	nRESET
GND	11 ●	● 12	RTCK
GND	13 ●	● 14	SWO2
GND	15 ●	● 16	nTRST
GND	17 ●	● 18	NC
GND	19 ●	● 20	NC

For more information about the signal descriptions, see *The JTAG/SWD - MIPI-20 cable*, page 17.

Important safety and disclaimer note

The continuous normal operation voltage across the isolation barrier should not exceed 300 V DC.

The isolation voltage only represents a measure of immunity to transient voltages—the probe should never be used as an element of a safety isolation system. For use with higher continuous voltages, additional isolation/insulation systems must be used in accordance with the safety standard requirements.

Use caution and follow all safety regulations when handling equipment subjected to high voltages.

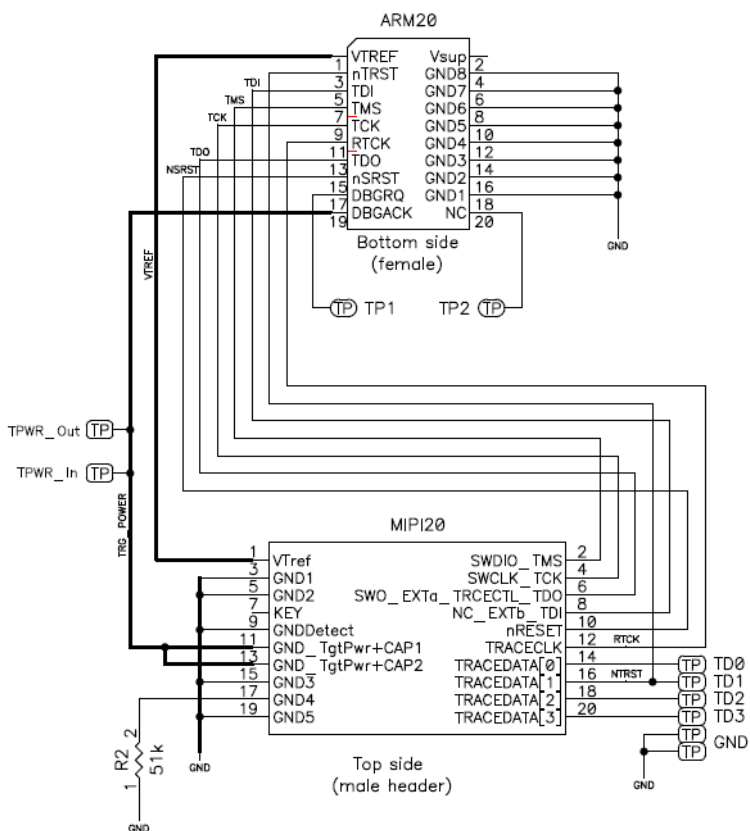


Touching any exposed circuitry on the target, the adapter, cables, or the I-jet probe can cause injuries or death.

IAR Systems or the manufacturer shall not be liable for any damages related to the use of this probe.

The MIPI-20 to ARM-20 adapter

The MIPI-20 to ARM-20 adapter is included with I-jet. It converts the MIPI-20 I-jet cable to the legacy ARM-20 (0.1 in × 0.1 in pitch) JTAG headers. This is a diagram of the adapter:



These are the pin definitions of the ARM-20 adapter:

Pin	I-jet direction	Name	Description
nTRST	Output	Test Logic Reset	Test reset. Active LOW signal that resets the TAP controller's state machine.

Table 9: ARM-20 pin definitions

Pin	I-jet direction	Name	Description
TCK	Output	Test Clock	TCK synchronizes all JTAG transactions. TCK connects to all JTAG devices in the scan chain. TCK flows down the stack of modules and connects to each JTAG device. However, if there is a device in the scan chain that synchronizes TCK to some other clock, then all down-stream devices are connected to the RTCK signal on that processor.
TMS	Output	Test Mode Select	TMS controls transitions in the tap controller state machine. TMS connects to all JTAG devices in the scan chain as the signal flows down the module stack.
TDI	Output	Test Data Input	TDI is the test data input signal that is routed to the TDI input of the first device in the scan chain.
TDO	Input	Test Data Output	TDO is the return path of the test data input signal TDI. In a multi-device JTAG chain, the TDO of the first device connects to the TDI of the next device, etc. The last device's TDO is connected to the TDO on the JTAG header.
RTCK	Input	TCK Return	RTCK is a mechanism for returning the sampled clock to the JTAG equipment, so that the clock is not advanced until the synchronizing device captured the data. In adaptive clocking mode, I-jet is required to detect an edge on RTCK before changing TCK. In a multi-device JTAG chain, the RTCK output from a device connects to the TCK input of the down-stream device. If there are no synchronizing devices in the scan chain, it is unnecessary to use the RTCK signal and it is connected to ground on the target board.
VTref	Input	Voltage Target Reference	This is the target reference voltage. It indicates that the target has power. VTref is normally fed from Vdd on the target hardware and might have a series resistor (though this is not recommended). VTref is used by I-jet to detect if target power is active and to set JTAG signal voltage reference for level translators.

Table 9: ARM-20 pin definitions

Pin	I-jet direction	Name	Description
nSRST	I/O	System Reset	Active LOW open-collector signal that is driven by I-jet to reset the device and/or the target board. I-jet senses this line to determine when you have reset the device.
Vsupply	Output	--	This pin is not connected to I-jet.
DBGRQ	Output	--	This pin is not connected on I-jet.
DBGAC K/TRGP WR	Output	Target Power	This pin is used under SW control to supply 5 V power to the target board. It should be routed through a jumper shunt to the 5 V DC board input to eliminate the power adapter during debugging. The maximum current supplied by I-jet on this pin is about 420 mA. When the current supplied reaches ~500 mA, the power will be shut down for protection.

Table 9: ARM-20 pin definitions

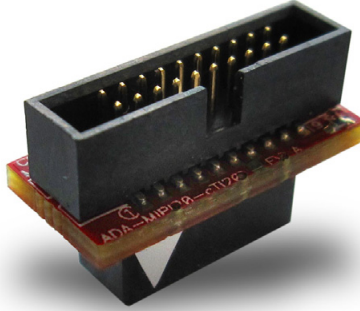
The R2 pull-down on pin 17 of the I-jet MIPI20 connector is a signal to I-jet that a legacy ARM-20 adapter is being used. Other adapters will have different resistors so that I-jet can identify them if needed. A solid GND on this pin means that no adapter is being used and that the MIPI cable is connected directly between the I-jet and the target board.

The ADA-MIPI20-TI14 adapter

The ADA-MIPI20-TI14 adapter converts the I-jet standard MIPI-20 cable pinout to the Texas Instruments legacy 14-pin JTAG interface used on older OMAP and other TMS320, TMS470, and TMS570 target boards.

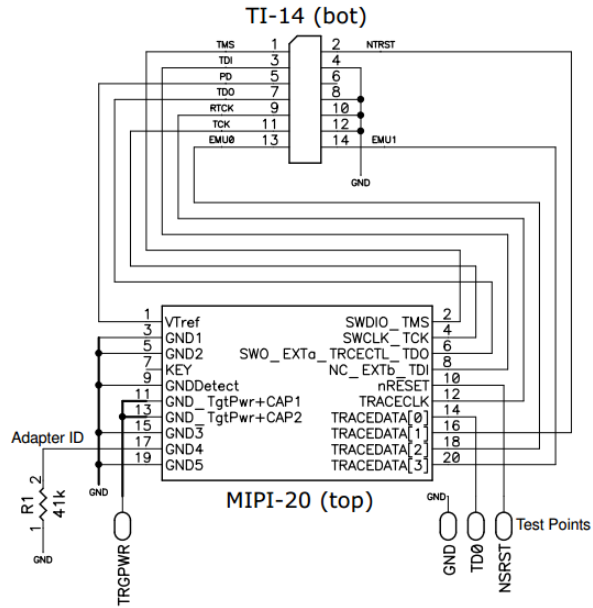
The adapter has the MIPI-20 ale header on top for connecting the I-jet MIPI-20 cable and a TI-14-style female header (socket) on the bottom. The TI-14 JTAG header is a 14-pin, double-row, 0.1 in × 0.1 in (2.56 mm × 2.56 mm) pitch connector with a key

(plug) in position 6 to prevent misconnections. In case the plug is missing, a white arrow on pin 1 of the TI-14 connector helps you ensure proper orientation.



This is a diagram of the adapter:

ADA-MIPI20-TI14

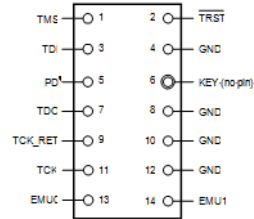


These are the pin definitions for the TI-14 adapter:

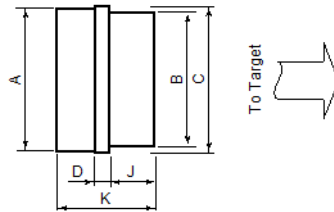
Pin	I-jet direction	Name	Description
nTRST	Output	Test Logic Reset	Active LOW signal that causes all test and debug logic in the device to be reset along with the IEEE 1149.1 TAP.
TCK	Output	Test Clock	This is the test clock used for driving the IEEE 1149.1 TAP state machine and logic.
TMS	Output	Test Mode Select	Directs the next state of the IEEE 1149.1 TAP state machine.
TDI	Output	Test Data Input	IEEE 1149.1 scan data input to the device.
TDO	Input	Test Data Output	IEEE 1149.1 scan data output from the device.
RTCK	Input	TCK Return	Used only in Adaptive Clocking mode. I-jet monitors RTCK to determine when to send the next TCK.
PD	Input	Power Detect	Should be tied to the I/O voltage of the target device. Used by I-jet to detect whether target power is active and to set the JTAG signal voltage reference for level translators.
EMU0	I/O	Emulation 0	Depending on the device, EMU pins support boot modes and other features. I-jet does not use this pin but it is routed to the TRACEDATA[2] pin on the MIPI20 connector. For proper booting, this pin should be pulled up on the target.
EMU1	I/O	Emulation 1	Depending on the device, EMU pins support boot modes and other features. I-jet does not use this pin but it is routed to the TRACEDATA[3] pin on the MIPI20 connector. For proper booting, this pin should be pulled up on the target.

Table 10: Pin definitions for the TI-14 adapter

This is the pinout of the target cTI20 JTAG header. Pin 6 should be missing to indicate the proper orientation.



These are the top view dimensions of the ADA-MIPI20-TI14 adapter:



A	18.9 mm (0.74 in)
B	25.4 mm (1.0 in)
C	19.4 mm (0.76 in)
D	1.6 mm (0.062 in)
J	9.6 mm (0.38 in)
K	20.3 mm (0.80 in)

TI14 header information (for target board)

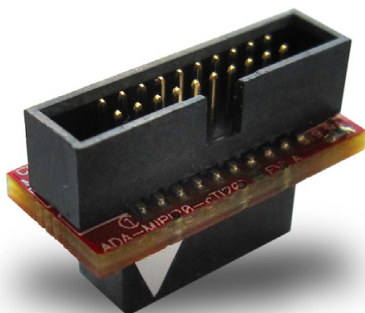
The TI14 header is manufactured by Samtec USA. The model number is TSM-17-DV. For more information, see the manufacturer's web page:

http://samtec.com/technical_specifications/ovreview.aspx?series=TSM

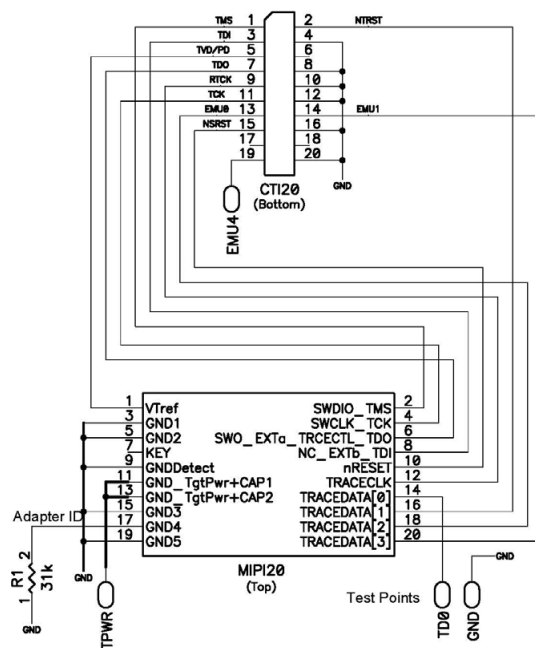
The ADA-MIPI20-cTI20 adapter

The ADA-MIPI20-cTI20 adapter adapts the I-jet standard MIPI-20 cable pinout to the Texas Instruments compact 20-pin JTAG interface used on some newer OMAP, DaVinci, and other TMS320, TMS470, and TMS570 target boards.

The adapter has the MIPI-20 male header on top for connecting the I-jet MIPI-20 cable, and a cTI-20 style female header (socket) on the bottom. The cTI-20 JTAG header is a 20-pin, double-row, high-density 0.05 in × 0.1 in (1.27 mm × 2.56 mm) pitch connector with a key (plug) in position 6 to prevent misconnections. In case the plug is missing, a white arrow on pin 1 of the cTI-20 connector helps you ensure proper orientation.



This is a diagram of the adapter:



These are the pin definitions for cTI20:

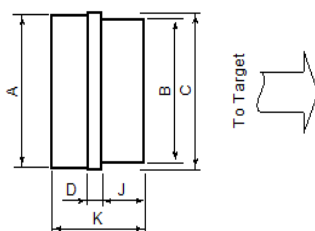
Pin	I-jet direction	Name	Description
nTRST	Output	Test Logic Reset	Active LOW signal that causes all test and debug logic in the device to be reset along with the IEEE 1149.1 TAP.
TCK	Output	Test Clock	This is the test clock used to drive the IEEE 1149.1 TAP state machine and logic.
TMS	Output	Test Mode Select	Directs the next state of the IEEE 1149.1 TAP state machine.
TDI	Output	Test Data Input	IEEE 1149.1 scan data input to the device.
TDO	Input	Test Data Output	IEEE 1149.1 scan data output from the device.
RTCK	Input	TCK Return	Used only in Adaptive Clocking mode. I-jet monitors RTCK to determine when to send the next TCK.
PD	Input	Power Detect	Should be tied to the I/O voltage of the target device. Used by I-jet to detect if target power is active and to set the JTAG signal voltage reference for level translators.
EMU0	I/O	Emulation 0	Depending on the device, EMU pins support boot modes and other features. I-jet does not use this pin but it is routed to the TRACEDATA[2] pin on the MIPI20 connector. For proper booting, this pin should be pulled-up on the target.
EMU1	I/O	Emulation 1	Depending on the device, EMU pins support boot modes and other features. I-jet does not use this pin but it is routed to the TRACEDATA[3] pin on the MIPI20 connector. For proper booting, this pin should be pulled-up on the target.
nRESET	I/O	System Reset	Active LOW open-collector signal that can be driven by I-jet to reset the device and/or the target board. I-jet senses this line to determine when a board has been reset by the user or by watchdog timer.

Table 11: cTI20 pin definitions

This is the pinout of the target cTI20 JTAG header. Pin 6 should be missing to indicate the proper orientation.

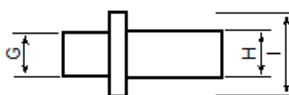
TMS	1	2	nTRST
TDI	3	4	TDIS
TVD (PD)	5	6	KEY
TDO	7	8	GND
TCKRTN	9	10	GND
TCK	11	12	GND
EMU0	13	14	EMU1
nSYSRST	15	16	GND
EMU2 (NC)	17	18	EMU3 (NC)
EMU4 (NC)	19	20	GND

These are the top view dimensions of the ADA-MIPI20-cTI20 adapter:



A	18.9 mm (0.74 in)
B	17.7 mm (0.7 in)
C	19.4 mm (0.76 in)
D	1.8 mm (0.07 in)
J	6.0 mm (0.24 in)
K	12.8 mm (0.50 in)

These are the side view dimensions of the ADA-MIPI20-cTI20 adapter:



G	0.5 mm (0.19 in)
H	5.1 mm (0.2 in)

I 9.1 mm (0.36 in)

cTI20 header information (for target board)

The cTI20 header is manufactured by Samtec USA. The model number is FTR-110-51-S-D-06. For more information, see the manufacturer's web page http://www.samtec.com/technical_specifications/overview.aspx?series=FTR.

I-jet Trace

- Introduction
- Working with I-jet Trace
- Technical specifications

Introduction

These topics are covered:

- The I-jet Trace CM and I-jet Trace A/R/M in-circuit debugging probes
- Requirements
- Target connections.

THE I-JET TRACE CM AND I-JET TRACE A/R/M IN-CIRCUIT DEBUGGING PROBES

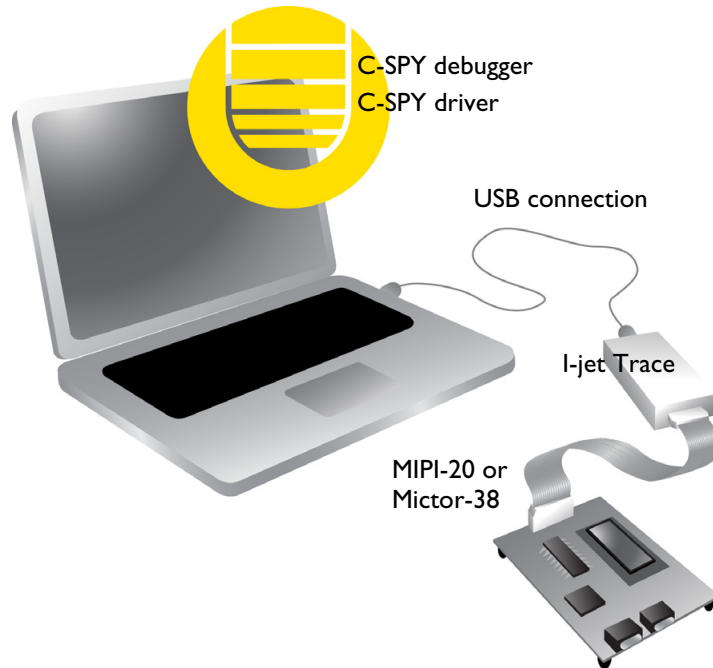
I-jet Trace CM and I-jet Trace A/R/M are in-circuit debugging probes, designed to take full advantage of the speed and current delivery of the USB3 communication ports. USB 2.0 is also supported, but not recommended due to slower speed and smaller power delivery.

I-jet Trace CM and I-jet Trace A/R/M have all the features of I-jet, but with enhanced performance and ETM (Embedded Trace Macrocell) support, which allows for real-time tracing of the instruction and data over a 1-, 2- or 4-bit trace bus on Cortex-M devices.

I-jet Trace A/R/M provides extensive debug and trace functionality for ARM Cortex devices equipped with the CoreSight™ debug interface. I-jet Trace A/R/M is equipped with up to 16-bit wide trace data collection.

Hereafter, whenever I-jet Trace is mentioned in this document, both the I-jet Trace CM and the I-Jet Trace A/R/M probes are referred to, unless otherwise explicitly specified.

I-jet Trace CM connects to the target board via a MIPI-20 header. I-jet Trace A/R/M by default connects to target via the Mictor-38 headers, but it also supports the MIPI20 headers. The probes connect to the host computer via the USB port.



I-jet Trace streams the program counter, variables, and power measurement data to the host computer to provide a view into program execution in real time. Besides the typical JTAG debugging, I-jet Trace is capable of providing power to the target board and measuring it with sufficient accuracy to provide a power profile during program execution in real time. This feature is referred to as *power debugging*.

For debugging Cortex devices, I-jet Trace also supports the SWO (Serial Wire Output) feature, which can be used for tracing the program execution and tracking variables at predefined points in your code.

The I-jet Trace in-circuit debugging probe is also referred to as a debug probe, debug adapter, or JTAG in-circuit emulator by different tool vendors.

REQUIREMENTS

I-jet Trace needs to be controlled by the IAR C-SPY® Debugger which comes with the IAR Embedded Workbench® IDE.

TARGET CONNECTIONS

These target interfaces are supported:

- MIPI-20, for up to 4-bit wide trace (part number SHF-110-01-L-D): JTAG, SWD, cJTAG, SWO, ETM
- MIPI-10 for debugging without trace (part number SHF-105-01-L-D): JTAG, SWD, cJTAG, SWO
- ARM-20 for debugging without trace (part number HTST-110-01-L-DV): JTAG, SWD, cJTAG, SWO
- Mictor-38 for up to 16-bit wide trace (I-jet Trace A/R/M only): JTAG, SWD, cJTAG, ETM, and SWO
- MIPI-60 (with trace) and TI-14/cTI-20 (without trace) connections via optional adapters

I-jet Trace CM comes with a MIPI-20 connector on the front panel and with MIPI-20 and MIPI-10 cables, as well as a legacy ARM-20 adapter.

I-jet Trace A/R/M comes with an adapter board with a Mictor-38 connector that plugs directly into the target board. For boards that do not use the high-speed Mictor connector, the pod also supports the standard MIPI-20 headers.

Note: Only the MIPI-20 and Mictor-38 cables support the ETM trace functionality. All other connections (MIPI-10 and ARM-20) are only for plain JTAG/SWD/SWO/cJTAG debugging.

All I-jet adapters are compatible with I-jet Trace.

Working with I-jet Trace

These tasks are covered:

- Setup and installation
- Connecting the target system
- Using trace
- Updating the probe firmware

For information about debugging using I-jet Trace, see the *C-SPY® Debugging Guide for ARM*.

SETUP AND INSTALLATION

Software

Before you can use I-jet Trace, you need to install IAR Embedded Workbench for ARM. For more information, see the *Quick Reference Installation and Licensing* guide.

Probe setup

I-jet Trace does not require any special driver software installation. Normally, all drivers for I-jet Trace are automatically installed as part of the installation of IAR Embedded Workbench.

If you need to install the USB driver manually, navigate to `\Program Files\IAR Systems\Embedded Workbench x.x\arm\drivers\jet\USB3\32-bit` or `64-bit` (depending on your system). Start the `dpinst.exe` application. This will install the USB driver.

The USB LED will flash twice after enumerating on the USB2 ports, and three times on USB3 ports.

For information about using multiple I-jet probes on the same host computer, see the *C-SPY® Debugging Guide for ARM*.

CONNECTING THE TARGET SYSTEM

Power-up your I-jet Trace probe

- 1 Connect I-jet Trace to the host computer using the USB3 micro cable or any other compatible high-quality USB3 cable.
- 2 Connect I-jet Trace to the target board using the cable that matches the target board connector (MIPI-20, MIPI-10, or Mictor-38). If a standard JTAG connector is used, you must first plug the ARM-20 to MIPI-20 adapter into the JTAG connector.

Note: No harm is done if the above order is reversed.



To prevent damage, the target GND and the USB host GND must be at the same level. When *hot-plugging*, make sure that the PC and the target board power supply are connected to the same grounded wall outlet or a common grounded desktop power strip.

Supplying target power from I-jet Trace

I-jet Trace can supply power to the target board only through the MIPI-20 and ARM-20 connections. The Mictor interface does not facilitate powering targets from the debug probes.

I-jet Trace CM can supply a maximum of 4.66 V at 200 mA when using USB3 ports without the need of plugging in an external 5 V DC power supply.

I-jet Trace A/R/M must use the supplied (5 V DC at 2 A) power adapter to power a target board. When it is not powering the target, I-jet Trace A/R/M does not need the external power supply as long as it is connected to the USB3 port.

Power up your evaluation board

If you have an evaluation board that is prepared for it, you can power the board via I-jet Trace through pin 19 on the standard ARM-20 connector, or pin 11/13 on the small MIPI-20 connector. Target power of up to 400 mA can be supplied from I-jet Trace with overload protection. Most of the IAR Systems KickStart Kits contain an evaluation board that can be powered this way. Make sure that the power jumper found on most of these boards matches your setup.

Note: The target board will get power via I-Jet Trace once you choose the **Download and Debug** or **Debug without Downloading** command in C-SPY, but not before.

Note: The only way to use the power debugging feature is to power up your evaluation board via I-jet Trace or to use I-scope.

USING TRACE

To use ETM trace, the target board must have a Cortex device with the ETM/PTM trace pins (usually named TraceCLK and TraceDxx), and these pins must be connected to the debug connector. Because on some devices, the trace pins are multiplexed, take care not to connect these pins to other logic devices on the PCB to minimize the loading and improve signal integrity.

C-SPY will initialize and enable all necessary registers on the MCU to allow the ETM port to function properly so that no special user code instrumentation is necessary. However, take care so that the running application code does not interfere (read, write, etc.) with the GPIO pins used for the ETM trace.

The TRC LED on the I-jet Trace debug probe will turn green when trace data is being collected. This usually happens after trace is enabled in C-SPY and the Run command is issued.

For more information about trace, see the *C-SPY Debugging Guide*.

UPDATING THE PROBE FIRMWARE

For more information, see *Updating the probe firmware*, page 9.

Technical specifications

Reference information about:

- *The I-jet Trace package*, page 40
- *Model specifications*, page 40
- *Hardware revision history*, page 42
- *Connectors*, page 43
- *Indicators*, page 45
- *Adapters*, page 47
- *Designing target boards for ETM trace*, page 51
- *General PCB layout guidelines*, page 51

THE I-JET TRACE PACKAGE

The I-jet Trace package contains:

- The I-jet Trace in-circuit debugging probe
- MIPI-20 JTAG cable
- MIPI-10 JTAG cable
- USB3 A to micro-B cable
- MIPI-20 to ARM-20 adapter
- Welcome letter.

The I-jet Trace A/R/M package also contains:

- Mictor-38 adapter board attached to two 60-wire flat cables

MODEL SPECIFICATIONS

These are the specifications of I-jet Trace:

USB speed	4.8 Gbps (USB 3 SuperSpeed) 480 Mbps (USB 2.0 Hi-Speed)
USB connection	USB 3 Micro-B (USB 2.0 Micro-B-compatible)

Target connection	MIPI-20 (ETM, JTAG, cJTAG, SWO, and SWD) MIPI-10 (JTAG and SWD) ARM-20 (JTAG and SWD) Mictor-38 (I-jet Trace A/R/M only) (ETM, JTAG, cJTAG, SWO, and SWD)
External DC power input	5 V DC, 2 A, 1.3 × 3.5 mm (not supplied with I-jet Trace CM)
Adapters included	ADA-MIPI-20-ARM-20
Debug interface	ETM, JTAG, cJTAG, SWO, and SWD
JTAG/SWD/cJTAG maximum clock	100 MHz
JTAG/SWD clock rise & fall time	<= 2 ns
ETM maximum trace clock	I-jet Trace CM: 150 MHz
SWO protocols supported	Manchester and UART
SWO sampling frequency	200 MHz
SWO maximum bandwidth	60 Mbps
ETM trace memory size	I-jet Trace CM: up to 256 Mbytes I-jet Trace A/R/M: up to 1 Gbyte
Power supplied to target (4.1 V-4.6 V)	400 mA max with USB 3 ports 200 mA with USB 2 ports 400 mA with ExternalDC power 600 mA (I-jet Trace A/R/M only)
Over-current protection	~420 mA with USB 3 ~220 mA with USB2 ~620 mA with ExternalDC power (5 V at 2 A)
Target power measurement resolution	~160 uA
Target power measurement speed	up to 200 ksps (kilo samples per second)
JTAG/SWD/ETM voltage range	1.2 V to 5 V

Current draw from target VTref	< 50 uA
Power requirement	3000 mW maximum (from USB or external DC, without target)
Operating temperature	0-30 C
Storage temperature	0-80 C

I-Jet Trace A/R/M

In addition to the above model specifications, I-jet Trace A/R/M has these features:

- Support for ETMv3, ETMv4, and PTM/PFT trace and debug interfaces on any ARM Cortex-A/R/M device equipped with CoreSight
- Trace port support of up to 350 MHz double data rate (DDR) (700 Msamples/s for each trace data line) for a total of 11.2 Gbit/s throughput
- Support for streaming of trace data at up to 3.2 Gbytes/s
- Automatic alignment of parallel trace data skew on individual bits to compensate for PCB layout and signal integrity problems
- Automatic trace data and clock voltage threshold adjustments to get the most reliable trace data collection with noisy or un-terminated target boards
- 64-bit timestamp with 5 ns resolution (or CPU cycle accurate) for precise timing analysis
- No external power adapter needed when powering target boards that take less than 200 mA

HARDWARE REVISION HISTORY

These are the versions of I-jet Trace CM:

Version	Change specification	Date
Version A	IAR internal version	03/24/2014
Version B	Production version	05/26/2014
Version C	Added 100k pull-up on nSRST	11/26/2014
Version C1	Increased voltage level on JTAG output pins for better compatibility with 5 V devices	05/15/2015

Table 12: I-jet Trace CM versions

These are the versions of I-jet Trace A/R/M:

Version	Change specification	Date
Version A	Production version	12/15/2015
Version B	No functional changes (PCB changes only)	02/04/2016

Table 13: I-jet Trace A/R/M versions

Version, production date, and serial number can be found on the backside of the probe.

Note: In IAR Embedded Workbench, choose **I-jet/JTAGjet>EmuDiag** to open the **EmuDiag** dialog box where you can find both hardware and firmware versions of the plugged-in I-jet.

CONNECTORS

External power

I-jet Trace has a small (1.35 mm × 3.5 mm) external power connector right next to the USB connector. It can be used whenever the host computer is unable to deliver the necessary power to I-jet Trace and to the target board. The external power supply must deliver 5 V DC at 1 A minimum for I-jet Trace CM and 2 A minimum for I-jet Trace A/R/M.

When external power is connected, almost the entire power will be taken from the external power supply, allowing more power-consuming targets (up to 600 mA) to be powered by I-jet Trace.

I-scope connector

The I-scope connector on the side of the probe is provided for connecting the I-scope analog probe to the I-jet Trace. Unlike I-jet, I-scope cannot be connected to the same MIPI-20 connector that is used for target boards. When I-scope is connected to I-jet Trace, the Target connector on I-scope cannot be used.

Expansion connector

This 30-pin connector is reserved for future use to add more functionality and features to I-jet Trace.

Target connector

I-jet Trace CM comes with a MIPI-20 connector that allows a standard 20-pin flat cable (included) to connect to a target with a MIPI-20 male header. This target connection allows for JTAG/SWD/cJTAG debugging as well as 1-, 2-, or 4-bit ETM or SWO trace.

The MIPI-20 pinout for I-jet Trace CM is the same as for I-jet.

I-jet Trace A/R/M comes with two 60-pin flat cables that terminate in an adapter board with a Mictor-38 male connector that is designed to plug in directly into the target board.

The Mictor connector allows for JTAG/SWD/cJTAG/SWO debugging as well as for up to 16-bit wide ETM trace.

The adapter board also contains a standard MIPI-20 header for connecting to target boards without the Mictor connection.

This is the Mictor-38 pinout for I-jet Trace A/R/M:

Signal	Pin	Pin	Signal
	1	2	
	3	4	
GND	5	6	TRACECLK
TRIGIN	7	8	TRIGOUT
nSRST	9	10	EXTTRIG
TDO	11	12	VTREF
RTCK	13	14	VSUPPLY (not used)
TCK	15	16	TRACEDATA[07]
TMS	17	18	TRACEDATA[06]
TDI	19	20	TRACEDATA[05]
nTRST	21	22	TRACEDATA[04]
TRACEDATA[15]	23	24	TRACEDATA[03]
TRACEDATA[14]	25	26	TRACEDATA[02]
TRACEDATA[13]	27	28	TRACEDATA[01]
TRACEDATA[12]	29	30	
TRACEDATA[11]	31	32	
TRACEDATA[10]	33	34	
TRACEDATA[09]	35	36	TRACECTL
TRACEDATA[08]	37	38	TRACEDATA[00]

Table 14: The Mictor-38 pinout for I-jet Trace A/R/M

The mating connector for Mictor-38 on target board is AMP/Tyco 5767054-1.



INDICATORS

I-jet Trace has four LED indicators on the top, marked TRC, TPWR, DBG, and USB. This section describes the indicators and their statuses.

The TRC indicator

Indicator status	Description
Off	No trace.
Green	Collecting trace data and trace clock is present.
Red	Trace data collection is enabled but the trace clock is not present.
Orange blinking	Collecting SWO trace data.

Table 15: TRC indicator statuses

The TPWR indicator (Target power)

Indicator status	Description
Off	Power to target is not provided by I-jet.
Green	Power to target is provided by I-jet.
Yellow	Warning. Power to target is close to the overcurrent limit.

Table 16: TPWR indicator statuses

Indicator status	Description
Red	Error. Overcurrent limit detected and power to target was switched off for protection.

Table 16: TPWR indicator statuses

The DBG indicator (JTAG/SWD/cJTAG)

Indicator status	Description
Off	vTRef on JTAG header is too low.
Green	vTRef is at or above 1.2 V.
Green blinking	Indicates JTAG/cJTAG/SWD communication activity from the target

Table 17: JTAG indicator statuses

The USB indicator

Indicator status	Description
Off	No USB power.
Green steady	Initial state or no transfer.
Green blinking	USB transfers to or from I-jet Trace.
Red blinking	USB enumeration.
Red steady	USB did not enumerate or the hardware is broken.

Table 18: USB indicator statuses

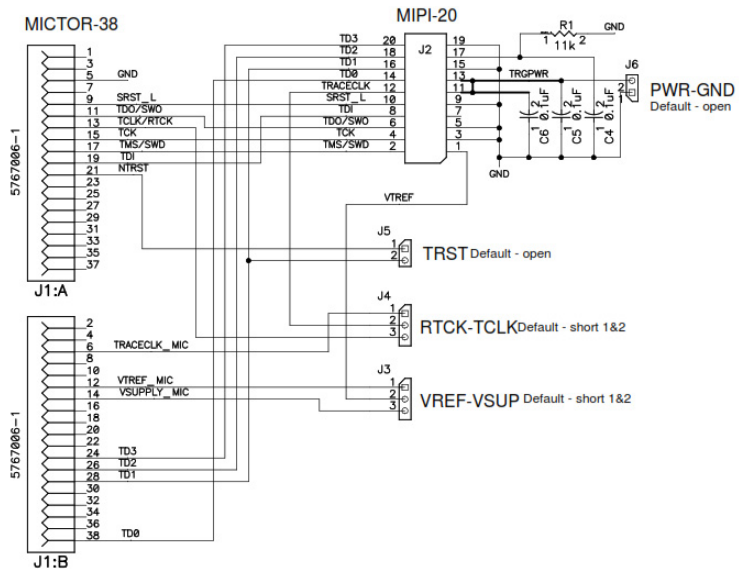
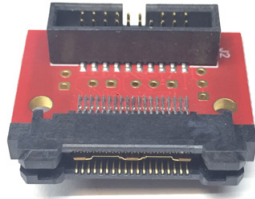
ADAPTERS

ADA-MIPI20-MICTOR adapter

The ADA-MIPI20-MICTOR adapter covers the I-jet Trace CM standard MIPI-20 cable pinout to the high-speed Mictor 38-pin trace connector used on some target boards.

The adapter has the MIPI-20 male header on top for connecting the I-jet Trace CM MIPI-20 cable and the Mictor-style male header that straddles the edge of the PCB. This Mictor connector (AMP/Tyco 576006-1) mates with target boards with a female Mictor

(AMP/Tyco 5767054-1) connector). These connectors are keyed to prevent incorrect insertion.



Signal	Pin	Pin	Signal
	1	2	
	3	4	
GND	5	6	TRACECLK
	7	8	
nSRST	9	10	

Table 19: ADA-MIPI20-MICTOR adapter pinout

Signal	Pin	Pin	Signal
TDO	11	12	VTREF
RTCK*	13	14	VSUPPLY
TCK	15	16	
TMS	17	18	
TDI	19	20	
nTSRST*	21	22	
	23	24	TD[3]
	25	26	TD[2]
	27	28	TD[1]
	29	30	
	31	32	
	33	34	
	35	36	
	37	38	TD[0]

Table 19: ADA-MIPI20-MICTOR adapter pinout

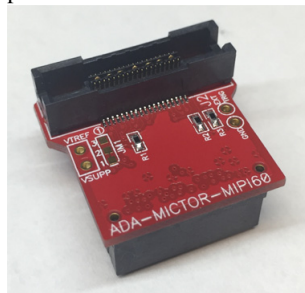
* The function of these pins are determined by the jumpers on the adapter.

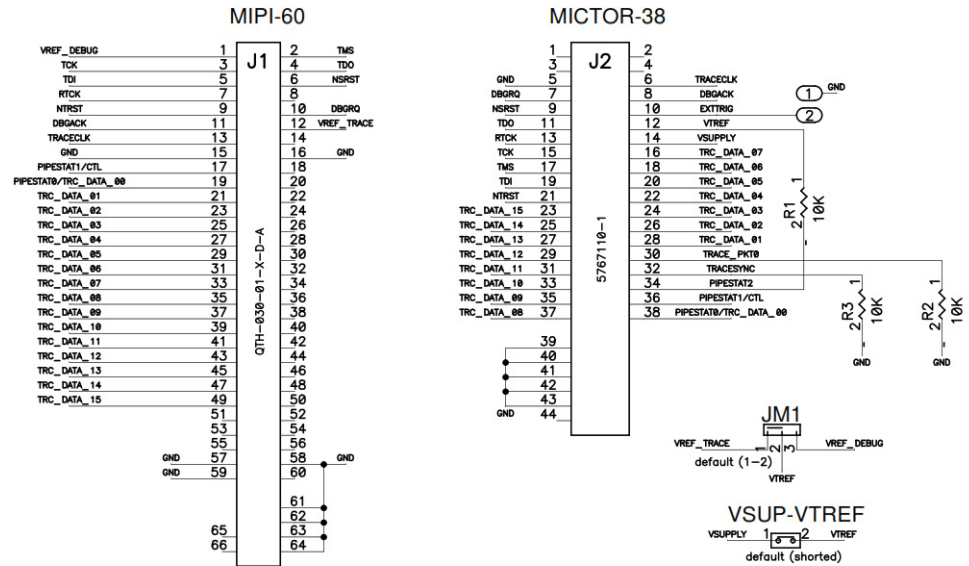
ADA-MICTOR-MIPI60 adapter

The ADA-MICTOR-MIPI60 adapter converts the I-jet Trace A/R/M standard Mictor-38 pinout to the MIPI-60 trace connector used on some target boards.

The adapter has the Mictor-38 female connector on top for connecting the I-jet Trace A/R/M and the MIPI-60-style male header on the bottom.

This MIPI-60 connector (Samtec QTH-030-01-F-DA) mates with target boards with a female MIPI-60 connector (Samtec QSH-030-01-F-DA). These connectors are keyed to prevent incorrect insertion.





Signal	Pin	Pin	Signal
VREF DEBUG	1	2	TMS
TCK	3	4	TDO
TDI	5	6	nSRST
RTCK	7	8	
nTRST	9	10	DBGRQ
DBGACK	11	12	VREF TRACE
TRACECLK	13	14	
GND	15	16	GND
TRACECTL	17	18	
TRACEDATA[00]	19	20	
TRACEDATA[01]	21	22	
TRACEDATA[02]	23	24	
TRACEDATA[03]	25	26	
TRACEDATA[04]	27	28	

Table 20: The MIP160 pinout

Signal	Pin	Pin	Signal
TRACEDATA[05]	29	30	
TRACEDATA[06]	31	32	
TRACEDATA[07]	33	34	
TRACEDATA[08]	35	36	
TRACEDATA[09]	37	38	
TRACEDATA[10]	39	40	
TRACEDATA[11]	41	42	
TRACEDATA[12]	43	44	
TRACEDATA[13]	45	46	
TRACEDATA[14]	47	48	
TRACEDATA[15]	49	50	
	51	52	
	53	54	
	55	56	
GND	57	58	GND
GND	59	60	

Table 20: The MIPI60 pinout

DESIGNING TARGET BOARDS FOR ETM TRACE

Because ETM trace port signals might have very fast rise and fall times, (regardless of the trace frequency), it is important that the target PCB is designed properly so it does not distort the trace signals before they get to the connector.

It is recommended that the ETM trace signals be simulated for signal integrity on a routed PCB by HyperLinx (or similar signal integrity SW) for best results.

Such SI tools will take into consideration the output impedance and rise and fall times of the MCU trace port lines, the length, geometry, and impedance of the PCB traces, the geometry of the layer stack as well as the dielectric properties of the PCB materials to give a simulated graph of the resulting waveform at the trace connector or any other place along the path.

If the resulting waveform is distorted, most simulation tools will help to determine the optimal series termination resistor for each trace line.

Important: All trace data lines and trace clock must have a series resistor placed near the MCU source pin. The resistor value will be determined by the simulation tools or can be found experimentally by examining the live signal with an oscilloscope at the trace connector.

GENERAL PCB LAYOUT GUIDELINES

4-bit ETM trace

Cortex-M devices have only a 4-bit ETM trace port. These trace signals must be routed to the standard 0.05 in × 0.05 in (1.27 × 1.27 mm) MIPI-20 connector header.

The recommended part number for a 4-bit ETM+JTAG debug connector is SHF-110-01-L-D-SM by Samtec or any other compatible shrouded header. The header should be positioned relatively close to the MCU (not more than 3 inches) so that its even pins face the MCU because they have active signals on them.

16-bit ETM trace

Most Cortex-R and Cortex-A devices come with a 16-bit trace port. To accommodate faster speeds, the signals must be connected to a 38-pin Mictor connector, making sure the track lengths from the MCU are matched to be within 0.5 inches (12.5 mm) to minimize signal skew.

The recommended part number for a 16-bit ETM+JTAG debug connector is 5767110-1 from AMP/Tyco.

The Mictor connector is designed to carry high-speed signals (10 Gb/s) and has a characteristic impedance of 50 Ohm. To eliminate signal distortion, the ETM trace signals on PCB must also have 50 Ohm impedance. The connector should be placed relatively close to the MCU (not more than 3 inches).

PCB routing

These are useful hints for PCB routing:

- Use series termination.
Place a series resistor on each trace signal near the source (MCU).
- Minimize crosstalk.
Keep all high-speed (fast rise and fall times) signals away from other signals to minimize crosstalk. Take special care of the TRACECLK signal.
- Minimize signal skew.
Keep the individual trace port track lengths to be within 0.5 in of each other.
- Match impedance.
Make the trace signal impedance 50 Ohm to match the impedance of the debug connectors and the debug probes.
- Minimize signal vias and avoid track stubs.
They might cause impedance mismatch, signal reflections, and distortions.

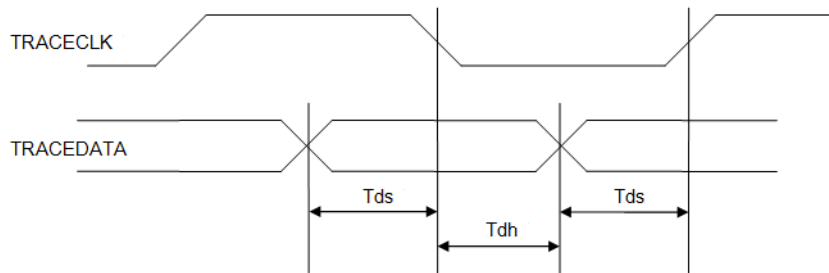
- Avoid trace pin multiplexing.
Multiplexing of the trace pins with other functions increases track lengths and adds capacitance and inductance and should be avoided. If multiplexing is required, the designer should add jumpers to disconnect the trace pins from the other logic in case the tracing signals are too distorted to function properly.
- Use ground and power planes.
Using ground and power planes not only helps with power distribution, but also gives the high-speed signals the shortest return path to ground, which results in less signal loss. They also make the trace impedance matching easier and more consistent.

Trace signal requirements

I-jet Trace supports DDR (Double Data Rate) clocking mode, which means the data is output on both edges of the TRACECLK signal. To compensate for variations in MCU ETM logic and target board PCB layouts, I-jet Trace contains logic to delay the TRACECLK and each TRACEDATA signal for up to 2.5 ns in 78 ps steps. This logic is used to synchronize all trace data lines with the trace clock automatically to get the optimum trace data collection.

Data setup and hold

The following graph and table show the minimum setup and hold timing requirements of the trace signals with respect to TRACECLK. These timings are fixed by the MCU manufacturers and might differ substantially from the data below, so they are given here as an example only.



Parameter	Value	Description
Tds	0.75 ns (minimum)	Data setup time
Tdh	0.75 ns (minimum)	Data hold time

Table 21: Data setup and hold times

Important: The minimum setup and hold times in the table are not as important as the length of the data valid time, because of the logic inside the I-jet probe that can delay the TRACECLK and TRACEDATA signals as needed, up to 2.5 ns. To get the best results, the trace valid data ($T_{ds} + T_{dh}$) should be as long as possible. The best way to achieve that in the MCU or ASIC, is to make sure the trace data is changed in the middle of the High or Low DDR TRACECLK signal. This way the trace data valid time is the widest and the data setup and hold times are the biggest for a given frequency.

Switching thresholds

I-jet Trace measures the target signals reference voltage (V_{Tref}) at the debug connector and automatically adjusts its switching thresholds to $\frac{1}{2}$ of V_{Tref} . For example, on a 3.3 V target system, the switching thresholds are set to 1.65 V.



Technical specifications



I-scope

- Introduction
- Working with I-scope
- Technical specifications

Introduction

These topics are covered:

- Reasons for using I-scope
- The I-scope probe
- Current and voltage measurement using I-scope.

REASONS FOR USING I-SCOPE

The main benefit of using I-scope is to provide you with power data of the running application in real time so you can view the power profile and optimize your code for better power efficiency. The C-SPY Timeline window displays power data in correlation with the application source code to enable power analysis of the program flow.

The analysis will reveal which functions and peripheral units consume more power, which I/O activity causes current spikes, how much power the MCU consumes in various sleep modes or in the main idle loop, etc. The captured data can be used to help you make your design less power-consuming, as well as help you initialize the GPIOs and peripheral units to achieve the best power efficiency without compromising the target's performance.

THE I-SCOPE PROBE

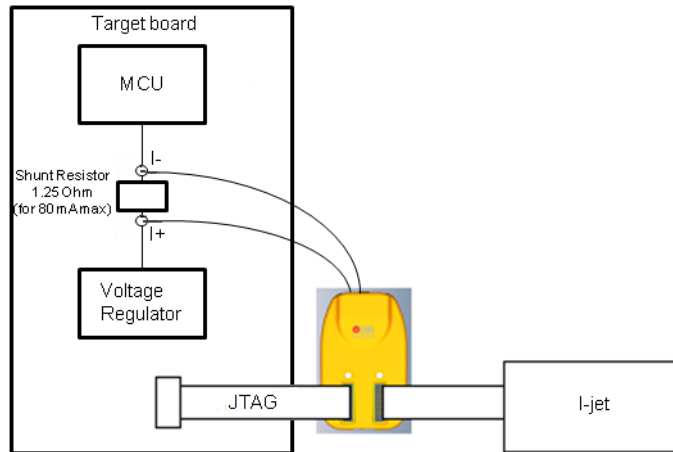
IAR I-scope for I-jet/I-jet Trace plugs in between the I-jet/I-jet Trace in-circuit debugging probe and the target board. I-scope adds detailed current and voltage measurement capability to I-jet/I-jet Trace. These measurements can be done at any designated points on the target board and displayed in real time by the IAR C-SPY debugger.

CURRENT AND VOLTAGE MEASUREMENT USING I-SCOPE

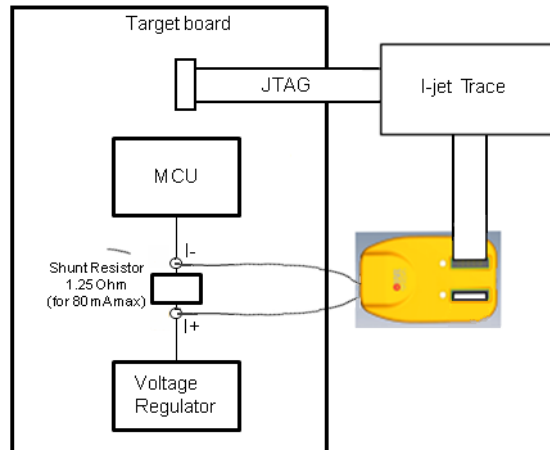
I-scope contains a 12-bit A/D converter for current and voltage measurements. The current input is implemented using a sensitive differential amplifier. The current

measurement is done by connecting the two differential current measurement leads (marked I+ and I-) across a shunt resistor on the target board.

This figure shows how I-scope is connected to I-jet and to the target board:



This figure shows how I-scope is connected to I-jet Trace and to the target board:



Many hardware engineers add small shunt resistors to the board to measure (using a digital voltmeter) the currents taken by specific logic blocks or devices. This method is mainly used in early stages of development. The shunt resistors are placed in series with the power rail to be measured and they need to be small enough not to drop too much voltage to make the logic block or MCU operate outside of its minimum voltage requirements. For most MCUs, the power rails are specified within 100 mV of their normal Vdd values and that is why I-scope is designed to work with shunt resistors that will provide up to 100 mV voltage drop.

The calculation of the shunt resistor value is very simple. Assuming that the MCU's maximum operating current at the selected clock speed and all peripherals enabled is 80 mA, Ohm's law will give the value for the shunt resistor as follows:

$$R = V/I = 0.1 \text{ V}/0.08 \text{ A} = 1.25 \text{ Ohm}$$

Based on this example, the dynamic range of the power probe would be from about 20 μ A (80 mA/4096) to 80 mA.

It is recommended to use 1% (or better) resistors to get good accuracy in the measurements. If the calculated value does not match the standard resistor value, select the next smaller value. In our example, the next smaller standard resistor value is 1.24 Ohm.

Larger resistor values can be used, but I-scope will hit its maximum allowed value at 110 mV and anything over this will be cut off. So if you want to measure some low-level currents, you can use much bigger shunt resistors to get better resolution. Make sure that the MCU Vdd line does not drop below the minimum allowed by the manufacturer when the MCU goes into the high-current mode. For information about the minimum value for your specific processor, see its data sheet.

To convert the current measurements to the actual power consumed by the MCU, I-scope automatically measures voltage at the I- terminal of the shunt resistor.

I-scope measures current and voltages at a sampling rate of up to 200 kHz and sends it to I-jet/I-jet Trace which synchronizes it with the running MCU's program counter (if available), so it can be displayed in real time and analyzed using C-SPY.

For more information about power debugging using C-SPY, see the *C-SPY Debugging Guide*.

Working with I-scope

These tasks are covered:

- Installation

INSTALLATION

- 1 Connect I-scope to I-jet/I-jet Trace using the supplied MIPI-20 cable.
- 2 Connect the target to I-scope using the MIPI-20 cable that came with I-jet/I-jet Trace.
- 3 Start IAR Embedded Workbench and select your project.
- 4 To measure current, connect the I+ and I- leads across the shunt resistor on your board. The I+ lead should be connected on the higher voltage side, which is the one coming from the voltage regulator or power supply. If the leads are reversed, the Power graph in the Timeline window will show current and power equal to 0.

To measure voltage, connect one or more of the I+, V1, V2, and V3 scope channels to any voltage test points that you want to monitor.

- 5 From the C-SPY driver menu in IAR Embedded Workbench, choose **Power Log Setup** and enter the shunt resistor value in the Power Log Setup window.
- 6 Start the application. To enable power logging, choose **Enable** from the context menu in the Power Log window or from the context menu in the Power Log Graph in the Timeline window. The power and voltage data shown in the Power graph in the Timeline window will be displayed in real time while the MCU program is running.

Technical specifications

Reference information about:

- *The I-scope package*, page 58
- *External characteristics*, page 59
- *I-scope probe specification*, page 60.

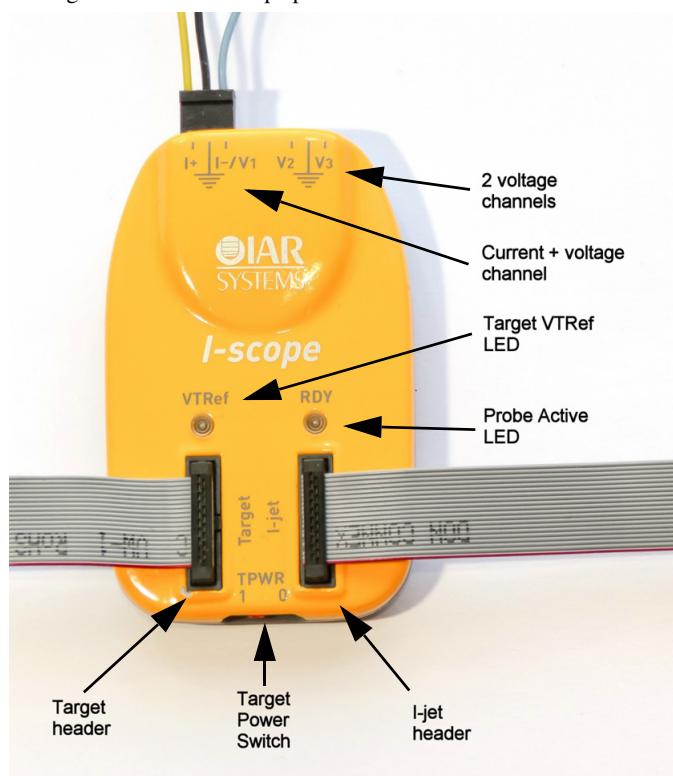
THE I-SCOPE PACKAGE

The I-scope package contains:

- I-scope probe
- Short MIPI-20 flat cable for attaching to I-jet/I-jet Trace
- Two probes consisting of three flying test leads each
- Six grabbers
- Welcome letter.

EXTERNAL CHARACTERISTICS

This figure shows the I-scope probe and its connections and switches:



These are descriptions of the I-scope connections and switches:

I+ Current probe positive (higher voltage) side of the shunt resistor. On MCU power rails, this lead goes to the power supply side of the shunt resistor (Vdd or Vcc).



⏚ Analog ground connection to target. This connection is optional if the probe is connected to the target's JTAG header, but should be used when more precise measurements are needed.

I- V1	<p>Current probe negative (lower voltage) side of the shunt resistor. On MCU power rails, this lead should be on the MCU side of the shunt resistor (load side).</p> <p>The shunt resistor should be calculated to allow a voltage drop of around 100 mV when the MCU is operating at its maximum current consumption.</p> <p>The voltage relative to ground can be measured separately on this input. This allows measurement of both current and voltage at the selected measurement point.</p>
V2	Voltage probe channel for measuring voltages from 0 V to 6 V.
V3	Voltage probe channel for measuring voltages from 0 V to 6 V.
VTRef	Target reference voltage LED will turn green when the target voltage is > 1.65 V. This is the minimum target voltage at which the I-jet/I-jet Trace will operate.
RDY	Ready LED will turn yellow as soon as the power probe is enabled. After I-jet/I-jet Trace calibrates the probe, the RDY LED will turn green to indicate that I-scope is ready to be used.
Target	Connector for a cable that goes to the target's board JTAG header.
I-jet	Connector for a cable that goes to I-jet/I-jet Trace.
TPWR	Target power switch. When in position 0 (off), it will disconnect the I-jet/I-jet Trace target power rail (TPWR) from going to the target. The default position is 1 (on), which allows I-jet/I-jet Trace to supply 5 V power to target boards. However, target board power measurements will not be accurate and should not be used when I-scope is connected.

I-SCOPE PROBE SPECIFICATION

Size (W * L * H)	700 mm * 44 mm * 14 mm
ADC resolution	12 bits
Maximum sampling rate	200 ksps
V1, V2, V3 voltage channels range	0 to 6 V
V1, V2, V3 voltage channels resolution	1.49 mV (1 LSB)
V1, V2, V3 voltage channels accuracy	2.98 mV (2 LSB)

Maximum differential voltage between I+ and I- probes 110 mV

These are the I-scope specifications per shunt:

	1 Ohm shunt	10 Ohm shunt	100 Ohm shunt
Current channel resolution	26.8 μ A	2.68 μ A	0.268 μ A
Current channel accuracy	53.7 μ A	5.37 μ A	0.537 μ A
Current channel measurement range	0-110 mA	0-11 mA	0-1.1 mA
Applications	General purpose MCU current and power measurements	Low-power MCU current and power measurements	Measuring power-down and sleep modes current consumption

Table 22: I-scope specifications per shunt

X-ON Electronics

Largest Supplier of Electrical and Electronic Components

Click to view similar products for [Emulators/Simulators](#) category:

Click to view products by [IAR Systems](#) manufacturer:

Other Similar products are found below :

[QB-78K0RKE3L-TB](#) [ST7MDT2-EMU2B](#) [RTE0T0002LKCE00000R](#) [AC244060](#) [7027-D-350](#) [AC244061](#) [J-Link ULTRA+](#) [CP2102](#) [ADZS-ICE-2000](#) [USB-EA-CONVZ](#) [Btip](#) [AC244002](#) [AC244003](#) [AC244063](#) [AC244064](#) [AC244065](#) [AC244066](#) [TMS320-XDS100-V2](#) [TMS320-XDS100-V3](#) [QB-78K0KC2L-TB](#) [QB-78K0SKB1-TB](#) [J-Link](#) [J-Link PRO](#) [TMDSEM560V2STM-UE](#) [TMDSEMUPROTRACE](#) [QB-78K0IB2-TB](#) [QB-78K0RIE3-TB](#) [QB-78K0RKG3-TB](#) [QB-78K0KF2-TB](#) [AFM201TI-AY2LED2](#) [AFW121T-EVB](#) [CE118M12](#) [ESP32-A1S](#) [ESP32-CAM](#) [ESP32-S](#) [BH-USB-100v2-ARM](#) [BH-USB-100v2D](#) [BH-USB-560v2](#) [BH-XDS-560v2](#) [BH-XDS-560v2-BP](#) [IM1275](#) [IM1227](#) [IM1259G](#) [IM3319](#) [IM1253B\(D\)](#) [IM1253B](#) [IM1281B](#) [CI-B02CS01S](#) [CI-B03CS01S](#) [L-MZ02](#)