

## Features

- 8-Ch. AI, 2-Ch. AO, 8-Ch. DI and 8-Ch. DO slave module
- Max. 100Mbps transfer rate
- Easy installation with RJ45 phone jack and LED diagnostic
- 207-ADIO-Kit supports TwinCAT with ESI File, and Object Dictionary of PDO and SDO
- DIN rail mounting (L-122 x W-124 x H-104 mm)

## Specifications

Serial interface	Fast Ethernet, Full-Duplex
Distributed Clock	1ms
Cable type	CAT5 UTP / STP Ethernet cable
Surge protection	10KV
Transmission speed	100Mbps
I/O isolation voltage	3750Vrms
Number of inputs	8-channel AI
Effective resolution	16bits
Conversion time	~ 125 $\mu$ s
Input range	Single End: $\pm 10/\pm 5/\pm 2.5/\pm 1.25$ V Differential: $\pm 10/\pm 5/\pm 2.5/\pm 1.25$ V
Input current	0~20mA
Number of outputs	2-channel AO
Effective resolution	12bits
Output range	$\pm 10$ V
Operation mode	Ramp and Noise, Single Value, Single Coupled Value, Pattern
Number of inputs	8-channel DI
Input types	NPN open collector Darlington transistors
Input impedance	5.6K $\Omega$ / 0.5W
Input current	$\pm 5$ mA(Max)
Number of outputs	8-channel DO
Output type	NPN open collector Darlington transistors
Switch capacity	Each output Ch. is 100mA at 24VDC
Response time	On to Off, about 50 $\mu$ s; Off to On, about 10 $\mu$ s
Over current protection	3A (Max.) for each port (8-Ch.)
Power input	24VDC $\pm 10\%$
Power consumption	3W typical
Working temperature	0 to 60°C

## Ordering Information

207-ADIO-KIT	8-Ch. AI / 2-Ch. AO / 8-Ch. DI / 8-Ch. DO slave module with Switch / LED / Meter on-board
207-A221FC	8-Ch. AI / 2-Ch. AO
SCB-1BB-06A/10A /20A/30A/50A/A0A	CAT5 LAN cable, 0.6M/1M/2M/3M/5M/10M

01

EtherCAT  
Digital Slave

02

EtherCAT  
Analog Slave

03

EtherCAT  
Motion Slave

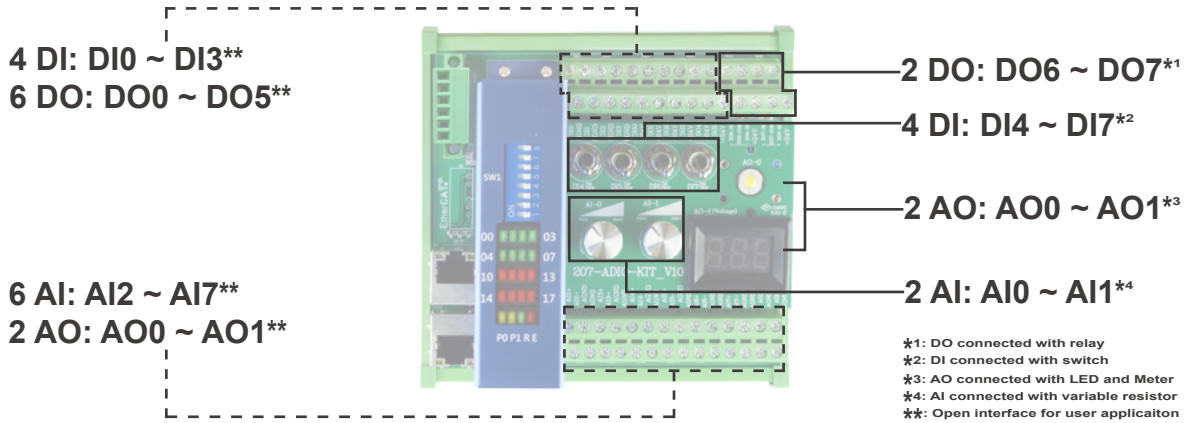
04

EtherCAT  
Microstep Driver

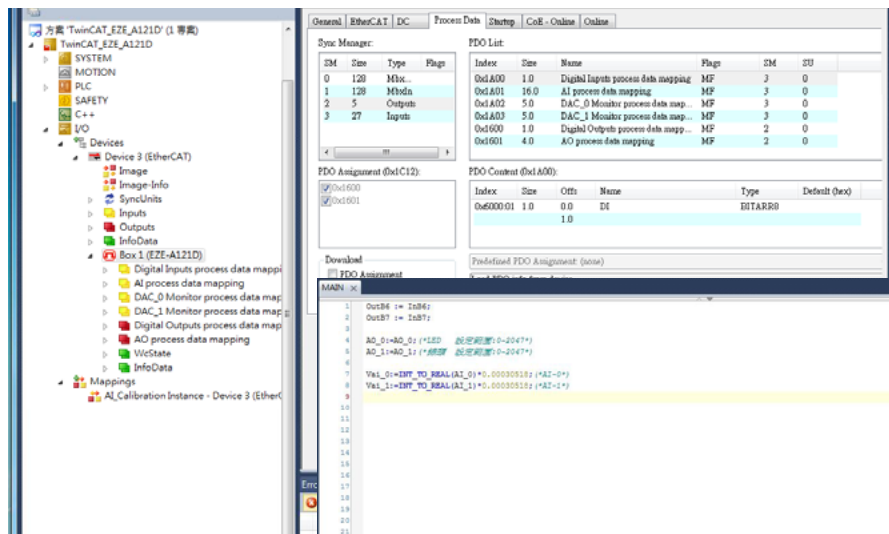
05

EtherCAT  
Start-Kit

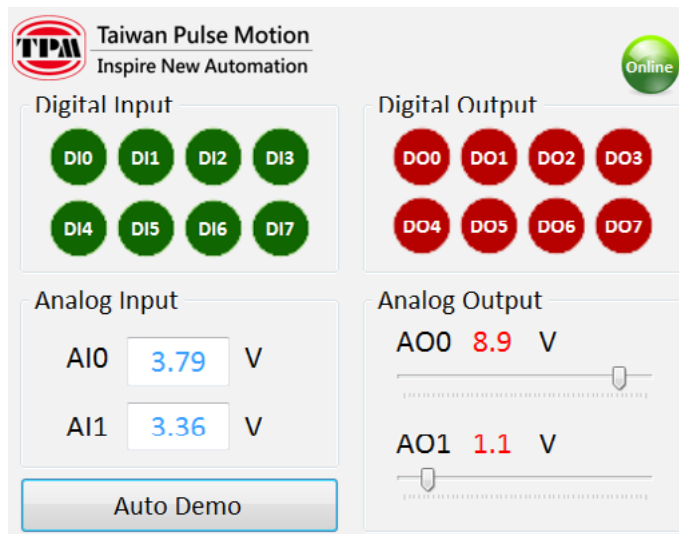
## Illustration of Wiring



## Sample Program under TwinCAT



## Demo Program under C#



## X-ON Electronics

Largest Supplier of Electrical and Electronic Components

*Click to view similar products for [I/O Modules](#) category:*

*Click to view products by [Ibase](#) manufacturer:*

Other Similar products are found below :

[70L-IDC5S](#) [70L-OAC-L](#) [70Z3289-4](#) [G21960000700](#) [G21960002700](#) [G34960002700](#) [OACU](#) [C4SWOUT](#) [PB16H](#) [G34960001700](#) [G3TA-OA101SZ-1](#) [DC24](#) [G77-S](#) [5607189](#) [DA5](#) [ODC-24A](#) [IDC5P](#) [FC6A-N16B1](#) [6421](#) [FC6A-N32B3](#) [70MRCQ32-HL](#) [G3TAOD201SDC24](#) [C200H-LK201-V1](#) [G3TA-OA202SZ-US](#) [DC12](#) [GT1-OD16](#) [GT1-AD04CST](#) [B7AM-6BS](#) [70GRCQ24-HS](#) [6422](#) [84110410](#) [GT1-OD16MX](#) [G7VC-OC16-B7](#) [70MRCK24-DIN](#) [6202](#) [6402](#) [FC6A-J2C1](#) [FC6A-KC1C](#) [FC6A-R081](#) [FC6A-J8CU1](#) [GP32900003700](#) [641-480-5022](#) [PB16H](#) [84145010](#) [84110210](#) [FRUSB1601](#) [PCL-720+-BE](#) [FRRJ451601](#) [AP24MX3DB25F](#) [ADAM-5053S-AE](#) [WISE-S614-A](#) [ADAM-5051S-AE](#)