



Features

- Fanless system with IBASE IB909 3.5" Disk-Size SBC
- Onboard 5th Gen. Intel® Core™ i7 U-series processor
- iSMART- for auto-scheduler and power resume
- Supports 1x Mini PCI-E (full-size)
- Supports 1x 2.5" SATA HDD
- 12V~24V DC wide-range power input
- Wall mount kit included

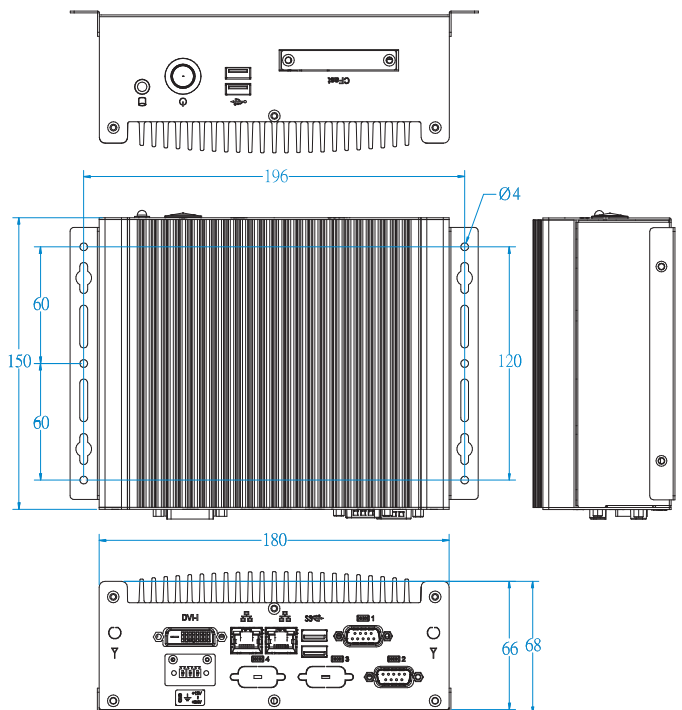
Specifications

System Mainboard	IB909AF-5650 / IB909AF-5350
CPU Type	5th Gen Intel® Core™ i7 5650U / i5 5350U processor
System Speed	2.2GHz / 1.8GHz
Memory	2x 2GB DDR3L-1600 SO-DIMM memory, Max.16GB
Construction	Aluminum & steel
Chassis Color	Black
Front Panel External I/O	1x power button 2x USB 2.0 1x CFast socket 1x HDD LED
Rear Panel External I/O	4x COM (1x RS-232/422/485 + 3x RS-232) 2x USB 3.0 ports 1x DVI-I 2x RJ-45 GbE connector 1x 12V~24V DC-in (terminal block type)
Storage	1x 2.5" HDD or SSD
Power Supply	Optional 60W power adaptor
Mounting	Desktop or wall mount (wall mount kit included) VESA mount (option)
Dimensions	180mm(W) x 150mm(D) x 66mm(H) 7.09" (W) x 5.91" (D) x 2.6" (H)
Operating Temperature	0°C~45°C (32°F~113°F) (With HDD) -10°C~60°C (14°F~140°F) (With SSD)
Storage Temperature	-20°C ~ 80°C (-4°F~176°F)
Relative Humidity	5~90% @ 45°C, (non-condensing)
Vibration	Operating: 0.25Grms / 5~500Hz Non-operating: 1Grms / 5~500Hz
Shock	Operating: 20G / 11ms Non-operating: 40G / 11ms
Certification	CE / LVD / FCC Class B / CCC

Ordering Information

ASB200-909-5650	Fanless chassis with IB909AF-5650, Intel® i7-5650U 2.2GHz CPU, 2x COM, 2x 2GB DDR3L memory, 2.5" 320GB SATA HDD (w/o 60W power adaptor and VESA mount bracket)
ASB200-909-4COM	Fanless chassis with IB909AF5350, Intel® i5-5350U 1.8GHz CPU, 4x COM (IBD-182 COM Mini PCI-E card), 2x 2GB DDR3L memory, 2.5" 320GB SATA HDD (w/o 60W power adaptor and VESA mount bracket)
ASB200-909	Fanless chassis with IB909AF5350, Intel® i5-5350U 1.8GHz CPU, 2x COM, 2x 2GB DDR3L memory, 2.5" 320GB SATA HDD (w/o 60W power adaptor and VESA mount bracket)

Dimensions and Drawing



X-ON Electronics

Largest Supplier of Electrical and Electronic Components

Click to view similar products for [Embedded Box Computers](#) category:

Click to view products by [Ibase](#) manufacturer:

Other Similar products are found below :

[tBOX312-870-FL-i7-DC](#) [tBOX313-835-FL-RJ-DC](#) [UPOS-3150-R0W0E](#) [ARK-20-S8A1E](#) [R2224WTTYSR](#) [BXNUC9i5QNX](#)
[BXNUC9i5QNX1](#) [BKNUC9V7QNX](#) [BKNUC9V7QNX1](#) [2-A0DF-2001](#) [BKCMB1ABB](#) [BKCMB1ABA](#) [EM3000-3845-8-128-WL-U-1](#)
[TANK-870AI-i5/8G/2A-R10](#) [PRFE21000038](#) [EM5000-I3-8-128-WL-W7-1](#) [EM3000-3845-8-128-WL-W7-1](#) [PRFE21000039](#) [AMOS-825-](#)
[1Q10A1](#) [UPS-EDAI-X70864-U01-DC01](#) [UPX-EDGEI7-A10-1664-F01](#) [MXE-211/M8G](#) [PXIe-3985/M16G](#) [PXIe-3987/M16G/SSD](#) [AIMB-](#)
[T1215DA-00Y0E](#) [AIMB-T12315A-00Y0E](#) [AMAX-5580-54000A](#) [APAX-5580-474AE](#) [ARK-6322-Q0A2E](#) [DS-100GF-S8A1E](#) [DS-100GL-](#)
[S8A1E](#) [EPC-R4680CQ-XAA1E](#) [ESRP-CSS-UNO2484](#) [ITA-1611-10A1E](#) [ITA-1711-10A1E](#) [MIC-720AI-00A1](#) [UNO-247-J1N1AE](#) [UTX-](#)
[3115FS-S6A2E](#) [AMI220AF-4L-7500](#) [ELIT-1200](#) [AIE100-903-FL](#) [eBOX626-311-FL](#) [EBOX671-517-FL-DC](#) [MVS900-511-FL](#) [AMS200](#) [SE-](#)
[92-I7](#) [SI-606](#) [SI-60E](#) [TANK-760-HM86i-i5/4G-R10](#) [BKCM8i7CB8N](#)