

BYTEM-W071-PC / BYTEM-101-PC/ BYTEM-121-PC

Intel® Atom™ Processor E3815/E3845
All-in-one Compact Panel PCs

BYTEM Series   



I/O View



BYTEM-W071-PC



BYTEM-101-PC / BYTEM-121-PC

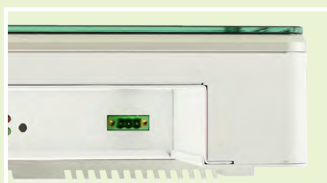


Features

- Supports Intel® Atom™ Processor
- Very low power consumption
- Fanless design



- 9V~30V DC wide-range power input
(for BYTEM-101-PC / BYTEM-121-PC)



- Flat panel design with projected capacitive touch
- IP65 front-panel waterproof protection



- Easily accessible 2.5" HDD storage



- Compact size



01 Vertical Applications Panel PC

02 Stainless Steel Panel PC

03 All-In-one Panel PC with Riser Card Expansion

04 Compact Panel PC

05 Heavy-duty Industrial Panel PC

06 ARM-Based Panel PC

07 ARM-Based HMI

BYTEM-W071-PC / BYTEM-101-PC / BYTEM-121-PC

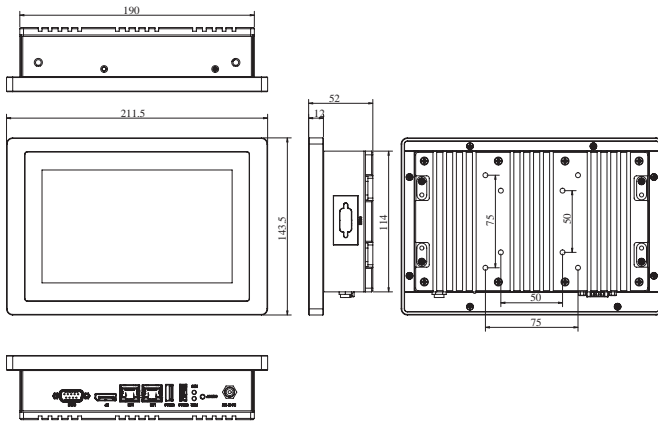
Specifications

Model No.		BYTEM-W071-PC	BYTEM-101-PC	BYTEM-121-PC
Display & Touch Screen	Display Size	7" TFT-LCD	10.1" TFT-LCD	12.1" TFT-LCD
	Max. Resolution	1024 x 600	1280 x 800	1024 x 768
	Luminance (cd/m ²)	500	350	350
	Contrast	800:1	800:1	800:1
	Max. Color	16.7M	262K	16.7M
	View Angle (H°/V°)	150/150	170/170	160/160
	Backlight Lifetime(hrs)	50000	12000	30000
	Touch Type	Projected capacitive	Projected capacitive	Projected capacitive
	Touch Interface	USB	USB	USB
	Light Transmission (%)	85	85	85
	Point of touch	2	2	2
I/O Interface	USB 3.0	1	1	1
	USB 2.0	1	1	1
	RS-232/422/485 Selectable under BIOS	1	1	1
	RS-232	1	0	0
	LAN	2x GbE	2x GbE	2x GbE
	Additional Graphics	DP	DP	DP
	Audio	None	None	None
	Digital I/O	None	None	None
	Power Connector	Power jack	3-pin terminal block	3-pin terminal block
	Power Button	Reset button	Reset button	Reset button
Mechanical	Dimensions (mm)	211.5 x 143.5 x 52	285 x 204 x 59.6	317 x 255 x 59.6
	Net Weight (kgs)	1.5	3.3	4.3
System	Processor	Intel® Atom™ Processor E3815 (Single-Core @ 1.46GHz)	Intel® Atom™ Processor E3845 (Quad-Core @ 1.91GHz)	Intel® Atom™ Processor E3845 (Quad-Core @ 1.91GHz)
	Memory	2x DDR3L SO-DIMM, up to 4GB, default DDR3L 2GB (2GBx1)	2x DDR3L SO-DIMM, up to 8GB, default DDR3L 4GB (4GBx1)	2x DDR3L SO-DIMM, up to 8GB, default DDR3L 4GB (4GBx1)
	Thermal Design	Fanless	Fanless	Fanless
	Membrane Control	None	None	None
	Built-in Speaker/MIC	None	None	None
Expansion	Internal Expansion Bus	1x mPCIe(x1) w/ USB signal [half-size] 1x mSATA/mPCIe(x1) w/ USB signal and mSATA support [full-size]	1x mPCIe(x1) w/ USB signal [half-size] 1x mSATA/mPCIe(x1) w/ USB signal and mSATA support [full-size]	1x mPCIe(x1) w/ USB signal [half-size] 1x mSATA/mPCIe(x1) w/ USB signal and mSATA support [full-size]
	Expansion Slot	None	None	None
	Wireless	Optional Wi-Fi/BT	Optional Wi-Fi/BT	Optional Wi-Fi/BT
Storage Space	HDD	1x 2.5" SATA	1x 2.5" SATA	1x 2.5" SATA
	Removable	None	None	None
Power	Power Input Range	12V DC	9~30V DC	9~30V DC
Construction	Chassis Material	Aluminum front bezel and white steel back cover with aluminum heat-sink	Aluminum front bezel and white steel back cover with aluminum heat-sink	Aluminum front bezel and white steel back cover with aluminum heat-sink
	Color (Front/Back)	Black / white	Black / white	Black / white
	IP Rating	IP65 front bezel	IP65 front bezel	IP65 front bezel
	Mounting	Panel mount and VESA 50x50, 75x75 mm	VESA 75x75 mm	VESA 75x75 mm
Environmental	Operating Temperature	-10°C ~ 50°C	0°C ~ 40°C (with HDD/CFast) 0°C ~ 50°C (with SSD)	0°C ~ 40°C (with HDD/CFast) 0°C ~ 50°C (with SSD)
	Storage Temperature	-30°C ~ 70°C	-20°C ~ 60°C	-20°C ~ 60°C
	Storage Humidity	10%~90% (non-condensing)		
	Certification	CE/FCC Class B		
	Supported Operating Systems	Windows 8 32/64 bit, Windows 7 Pro for Embedded 64 bit, WES7 64 bit		

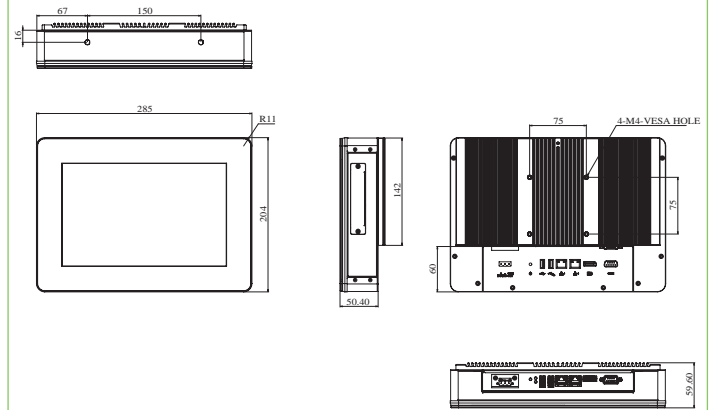
BYTEM-W071-PC / BYTEM-101-PC / BYTEM-121-PC

Dimensions

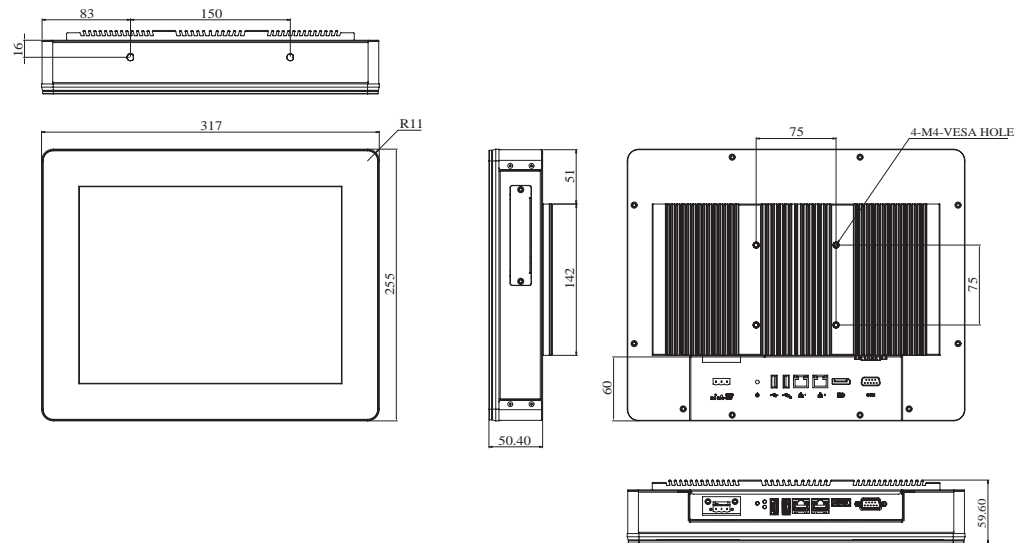
BYTEM-W071-PC



BYTEM-101-PC



BYTEM-121-PC



Ordering Information

BYTEM-W071-PC	7" (1024 x 600) Flat Panel Design Panel PC with IB897, Intel® Atom™ Processor E3815 1.46GHz, 2GB DDR3L SO-DIMM, 32G SSD, projected capacitive touch, w/ 60W power adaptor
BYTEM-101-PC	10.1" (1280 x 800) Flat Panel Design Panel PC with IB897, Intel® Atom™ Processor E3845 1.91GHz, 4GB DDR3L SO-DIMM, 32G SSD, projected capacitive touch, w/o power adaptor
BYTEM-121-PC	12.1" (1024 x 768) Flat Panel Design Panel PC with IB897, Intel® Atom™ Processor E3845 1.91GHz, 4GB DDR3L SO-DIMM, 32G SSD, projected capacitive touch, w/o power adaptor
Power adaptor (optional)	AC 90V~240V input, 12V DC output 84W power adaptor, IBASE P/N: A005PS084W0050000P

01

Vertical Applications
Panel PC

02

Stainless Steel
Panel PC

03

All-In-one Panel
PC with Riser Card
Expansion

04

Compact Panel PC

05

Heavy-duty
Industrial Panel PC

06

ARM-Based
Panel PC

07

ARM-Based HMI

X-ON Electronics

Largest Supplier of Electrical and Electronic Components

Click to view similar products for [Panel PCs category](#):

Click to view products by [Ibase manufacturer](#):

Other Similar products are found below :

[GOT-5100T-832](#) [GOT-3126T-832](#) [BYARM-W071-PC](#) [STC-15WR-E3950,4G,64GB M.2](#) [STC-15WP-E3950,4G,64GB M.2](#) [POC-W152-C11D-ACE](#) [PWS-770-VMOUNT00E](#) [PWS-870-CHDC00E](#) [PWS-870-UCOVER00E](#) [TPC-31T-E3AE](#) [TREK-572-LWB7B0E](#) [ESRP-HMI-TPC1551](#) [ESRP-HMI-TPC1251](#) [ESRP-HMI-TPCB200](#) [BYARM-181-PC](#) [BYTEM-121-PC](#) [IDOOH-210-IR](#) [AFL3-W15A-BT-J1/PC/2G-R13](#) [IOVU-07F-AD-WBC-R10](#) [003002400100](#) [1050387](#) [SPTM20XP](#) [XPTB10X](#) [UTC-W101BF-ABI0E](#) [UTC-W101B-ABI0E](#) [UTC-W101B-AWI0E](#) [UTC-532C-GE](#) [UTC-532A-GE](#) [UTC-520A-PE](#) [UTC-520A-GE](#) [TREK-722R-A1E](#) [TREK-570-00A0E](#) [PWS-870-7S6G4P5F0E](#) [PPC-174T-WL-MTE](#) [110070048](#)