

Signature Book™



### Features

- iSMART - for EuP/ErP power saving, autoscheduler and power resume
- Onboard Intel® Atom™ Processor D2550 (Low power consumption)
- Intel® GMA 3650 integrated graphics
- 1x DDR3 1066MHz SO-DIMM Max. 4GB
- 2x Mini PCI-E(x1) slot expansion slot for mSATA, Wi-Fi, 3G or TV tuner options
- Fanless and compact design

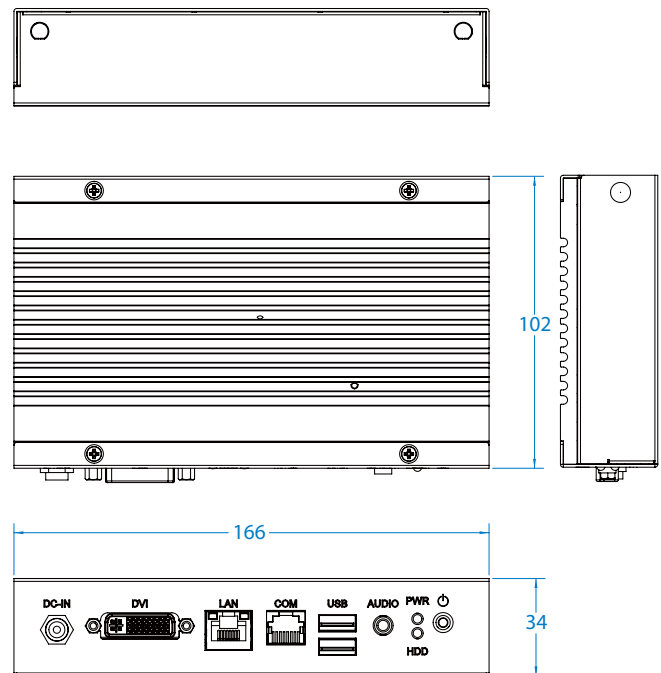
### Specifications

System Mainboard	IB901
CPU Type	Intel® Atom™ Processor D2550
CPU Package	FCBGA559
Chipset	Intel® NM10
Memory	1x 204-pin SO-DIMM socket, support DDR3 1066MHz with unbuffered and non-ECC memory module, Max. 4GB
Graphics	Intel® GMA 3650 integrated graphic engine
LAN	1x Realtek RTL8111E PCI-E Gigabit LAN controller
Expansion Slots	1x Mini PCI-E(x1) slot for mSATA, Wi-Fi, Bluetooth, 3G Wireless and TV tuner options
I/O Interface	2x USB 2.0 ports 1x RJ45 for Gigabit LAN 1x RJ45 for RS232 1x Hybrid-DVI (VGA/ DVI/ HDMI with audio) 1x Microjack audio connector for speaker Power LED / HDD LED, power on/off button 12V DC-in power connector
Auto Control and Monitoring	Watchdog Timer: 256 segments, 0, 1, 2...255 (sec/min) On / Off scheduler: 2 time slots
Power Requirement	+12V DC-in
Construction	Aluminum + SGCC
Weight	1.26KG (2.77lbs)
Chassis Color	Black & White
Storage	1x 2.5" HDD drive bay 1x mSATA
Power Supply	40W power adaptor
Mounting	Slim design with wall mounting holes
Dimensions	166mm(W) x 102mm(D) x 34mm(H) 6.54"(W) x 4.02"(D) x 1.34"(H)
Operating Temperature	0°C~ 45°C (32°F~113°F)
Storage Temperature	-20°C ~ 80°C (-4°F~176°F)
Relative Humidity	5~90% @ 45°C, (non-condensing)
Vibration	SSD: 5 grms / 5~500Hz / random operation HDD: 0.25 grms / 5~500Hz / random operation
Certification	CE, FCC, UL, CCC

### Ordering Information

SI-06	Signage Player with 2GB RAM, 320GB HDD, 40W power adaptor
SI-06M	Signage Player without RAM, HDD, with 40W power adaptor
SI-MK1	Mounting bracket for SI-06/08/12/18/22 series

### Dimensions



Remarks: 1. Specifications are subject to change without prior notice.  
2. ODM/OEM is available.  
3. For user's manual & datasheet download, visit [www.ibase.com.tw](http://www.ibase.com.tw)

## X-ON Electronics

Largest Supplier of Electrical and Electronic Components

*Click to view similar products for [Embedded Box Computers](#) category:*

*Click to view products by [Ibase](#) manufacturer:*

Other Similar products are found below :

[tBOX312-870-FL-i7-DC](#) [tBOX313-835-FL-RJ-DC](#) [UPOS-3150-R0W0E](#) [ARK-20-S8A1E](#) [R2224WTTYSR](#) [BXNUC9i5QNX](#)  
[BXNUC9i5QNX1](#) [BKNUC9V7QNX](#) [BKNUC9V7QNX1](#) [2-A0DF-2001](#) [BKCMB1ABB](#) [BKCMB1ABA](#) [EM3000-3845-8-128-WL-U-1](#)  
[TANK-870AI-i5/8G/2A-R10](#) [PRFE21000038](#) [EM5000-I3-8-128-WL-W7-1](#) [EM3000-3845-8-128-WL-W7-1](#) [PRFE21000039](#) [AMOS-825-](#)  
[1Q10A1](#) [UPS-EDAI-X70864-U01-DC01](#) [UPX-EDGEI7-A10-1664-F01](#) [MXE-211/M8G](#) [PXIe-3985/M16G](#) [PXIe-3987/M16G/SSD](#) [AIMB-](#)  
[T1215DA-00Y0E](#) [AIMB-T1217DW-00Y0E](#) [AIMB-T12315A-00Y0E](#) [AMAX-5580-54000A](#) [APAX-5580-474AE](#) [ARK-6322-Q0A2E](#) [DS-](#)  
[100GF-S8A1E](#) [DS-100GL-S8A1E](#) [EPC-R4680CQ-XAA1E](#) [ESRP-CSS-UNO2484](#) [ITA-1611-10A1E](#) [ITA-1711-10A1E](#) [MIC-710AI-00A1](#)  
[MIC-720AI-00A1](#) [UNO-247-J1N1AE](#) [UTX-3115FS-S6A2E](#) [AMI220AF-4L-7500](#) [ELIT-1200](#) [AIE100-903-FL](#) [EBOX671-517-FL-DC](#)  
[MVS900-511-FL](#) [AMS200](#) [SE-92-I7](#) [SI-606](#) [SI-60E](#) [TANK-760-HM86i-i5/4G-R10](#)