



## Specifications

|                             |  |
|-----------------------------|--|
| System Mainboard            | MBD304   |
| CPU Type                    | 2nd Generation R-series QC RX-427BB 2.7/3.4G<br>DC RX-225FB 2.2/3.0G APU   |
| CPU Socket                  | FP3 BGA package, 32x29mm   |
| Chipset                     | AMD A77E   |
| Memory                      | 2x DDR3-2133 SO-DIMM, Dual channel, Max. 32GB  |
| Graphics                    | Radeon™ HD 9000 series GPU   |
| LAN                         | 1x Realtek RTL8111G Gigabit LAN controller<br>1x Realtek RTL8111EP-CG LAN controller   |
| Expansion Slots             | 1x Mini PCI-E (full-size) for mSATA, Wi-Fi, Bluetooth or 4G LTE options<br>1x Mini PCI-E (full-size) for Wi-Fi, Bluetooth or 4G LTE options<br>1x UIM/SIM card slot (for 4G/LTE adaptor in mPCI-E slot)                    |
| I/O Interface               | 4x HDMI 1.4b with Hardware EDID emulation<br>2x USB 3.0<br>1x USB 2.0<br>2x RJ45 for LAN<br>1x RJ45 for RS232<br>1x Microjack audio connector for Line-out<br>Power LED / HDD LED, power on/off button<br>1x DC power jack |
| Auto Control and Monitoring | 256 segments, 0, 1, 2...255 (sec/min)  |
| Power Requirement           | +12V DC-in   |
| Construction                | Aluminum + SGCC  |
| Weight                      | 2.1kg(4.63lbs)   |
| Chassis Color               | Black & white  |
| Storage                     | 1x M.2 M-Key (2280)  |
| Power Supply                | 84W power adaptor  |
| Mounting                    | Slim design with wall mounting holes   |
| Dimensions                  | 269mm(W) x 193mm(D) x 31.5mm(H)<br>10.59"(W) x 7.6"(D) x 1.24"(H)  |
| Operating Temperature       | 0°C~ 45°C (32°F~113°F)   |
| Storage Temperature         | -20°C ~ 80°C (-4°F~176°F)  |
| Relative Humidity           | 5~90% @ 45°C, (non-condensing)   |
| Vibration                   | SSD: 5 grms / 5~500Hz / random operation<br>HDD: 0.25 grms / 5~500Hz / random operation  |
| Certification               | CE, FCC class B, cULus & CCC   |
| Operating System            | Windows® 7 (32/64-bit), Windows 8.1† (32/64-bit)<br>Windows 10 (64-bit)<br>Window Embedded Standard 7 (32/64-bit)<br>Window Embedded Standard 8 (32/64-bit)<br>Linux Closed Source (64-bit), Linux Open Source (64-bit)    |

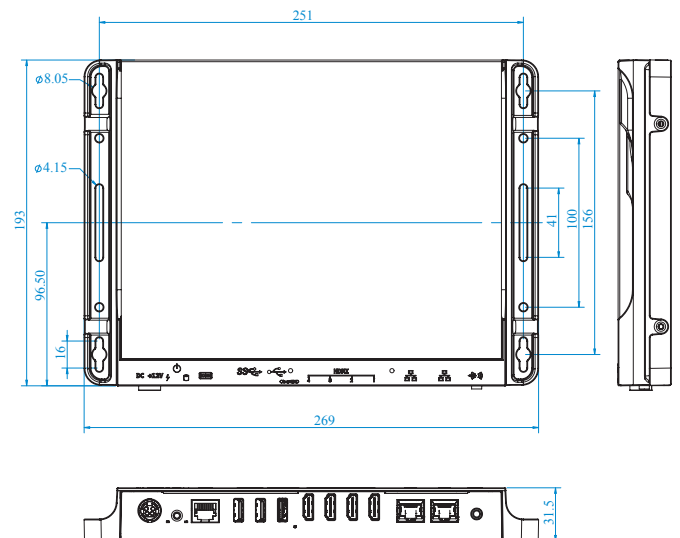
## Features

- iSMART - for EuP/ErP power saving, auto-scheduling and power resume
- 2nd Generation AMD Embedded R-series APU (Codenamed: "Bald Eagle"), up to 35W
- AMD Radeon™ HD 9000 series GPU
- 4x HDMI 1.4b with independent audio output support
- Hardware EDID emulation function built in
- 2x DDR3-2133 SO-DIMM, Dual channel, Max. 32GB
- 1x Mini PCI-E for mSATA, Wi-Fi, Bluetooth or 4G LTE options
- 1x Mini PCI-E for Wi-Fi, Bluetooth or 4G LTE options
- Segregated flow ventilation design

## Ordering Information

|                   |   |
|-------------------|---|
| SI-304-427        | Signage Player with MBD304 w/ AMD 4 Cores RX-427BB 2.7GHz/3.4 GHz APU, 2x 4GB DDR3 SO-DIMM 2133, M.2 64GB, 84W power adaptor (RoHS) |
| SI-304-225        | Signage Player with MBD304 w/ AMD 2 Cores RX-225FB 2.2GHz/3.0GHz APU, 2x 4GB DDR3 SO-DIMM 1600, M.2 64GB, 84W power adaptor, (RoHS) |
| SI-MK3A           | Mounting bracket for SI-304/SI-122-N/SI-313/SI-313-N/SI-324/SI-613/SI-623 series  |
| SI-1U-AD          | 1U Rackmount kit  |
| HDMI Cable Holder | SI-304/SI-324 HDMI bracket kit  |

## Dimensions



## X-ON Electronics

Largest Supplier of Electrical and Electronic Components

*Click to view similar products for [Embedded Box Computers](#) category:*

*Click to view products by [Ibase](#) manufacturer:*

Other Similar products are found below :

[tBOX312-870-FL-i7-DC](#) [tBOX313-835-FL-RJ-DC](#) [UPOS-3150-R0W0E](#) [ARK-20-S8A1E](#) [R2224WTTYSR](#) [BXNUC9i5QNX](#)  
[BXNUC9i5QNX1](#) [BKNUC9V7QNX](#) [BKNUC9V7QNX1](#) [2-A0DF-2001](#) [BKCMB1ABB](#) [BKCMB1ABA](#) [EM3000-3845-8-128-WL-U-1](#)  
[TANK-870AI-i5/8G/2A-R10](#) [PRFE21000038](#) [EM5000-I3-8-128-WL-W7-1](#) [EM3000-3845-8-128-WL-W7-1](#) [PRFE21000039](#) [AMOS-825-](#)  
[1Q10A1](#) [UPS-EDAI-X70864-U01-DC01](#) [UPX-EDGEI7-A10-1664-F01](#) [MXE-211/M8G](#) [PXIe-3985/M16G](#) [PXIe-3987/M16G/SSD](#) [AIMB-](#)  
[T1215DA-00Y0E](#) [AIMB-T12315A-00Y0E](#) [AMAX-5580-54000A](#) [APAX-5580-474AE](#) [ARK-6322-Q0A2E](#) [DS-100GF-S8A1E](#) [DS-100GL-](#)  
[S8A1E](#) [EPC-R4680CQ-XAA1E](#) [ESRP-CSS-UNO2484](#) [ITA-1611-10A1E](#) [ITA-1711-10A1E](#) [MIC-710AI-00A1](#) [MIC-720AI-00A1](#) [UNO-247-](#)  
[J1N1AE](#) [UTX-3115FS-S6A2E](#) [AMI220AF-4L-7500](#) [ELIT-1200](#) [AIE100-903-FL](#) [EBOX671-517-FL-DC](#) [MVS900-511-FL](#) [AMS200](#) [SE-92-](#)  
[I7](#) [SI-606](#) [SI-60E](#) [TANK-760-HM86i-i5/4G-R10](#) [BKCM8i7CB8N](#)