



FWC30 Series

30W ITE Desktop Power Supply

FWC30 Is Not Recommended For New Designs. Not Level VI Compliant. Not for Consumer / Household use for units built after February, 2016. Please Use FWE30 Class II or FWE30 Class I As A Replacement

- High Efficiency: Level V
- Fully Regulated DC Output
- Lifetime Expectation >5 years
- Hold-up Time >12ms at full load
- Safety Approval - EN60950-1 Class I
- CEC Compliant

Elpac Part Number	Output Voltage	Output Current	Peak Current ¹	Total Regulation ²	Typical Efficiency ³
FWC3009-760F	9.0V	3.3A	3.9A	±5%	81%
FWC3012-760F	12.0V	2.5A	3.0A	±5%	83%
FWC3015-760F	15.0V	2.0A	2.4A	±5%	84%
FWC3018-760F	18.0V	1.7A	2.0A	±5%	85%
FWC3024-760F	24.0V	1.3A	1.5A	±5%	86%

Notes

1 Maximum peak load (36W) lasting 500ms with a maximum 10% duty cycle.

2 Includes initial setting, line regulation, load regulation, and thermal drift.

3 Typical at 115VAC (including output cable).

Input

Input Voltage	85 - 264VAC 100 - 240VAC Nominal
Input Frequency	47 - 63Hz
Input Current	<1.0A rms
Inrush Current	<37A at 230VAC cold start
Zero Load Power Consumption	<0.3W
Touch Leakage Current	<250 μ A @ 132VAC @ 60Hz <400 μ A @ 264VAC @ 60Hz

Output

Output Voltage	See Table
Total Regulation	+/-5%
Minimum Load	No minimum load required
Start-Up Delay	<250ms
Hold-Up Time	>12ms at any input voltage
Ripple & Noise	<1% pk-pk ** *
Over Voltage Protection	110-135%
Over Temperature Protection	Active - Recoverable; plus Passive - Non Recoverable
Over Current Protection	120 - 180%
Short Circuit Protection	shutdown, auto-restart (hiccup mode)

Notes

* Ripple and noise measured with 20MHz bandwidth; 10 μ F tantalum capacitor in parallel with a 0.1 μ F ceramic capacitor.



General

Efficiency	Avg Efficiency 84.5% @ 115VAC; 83.4% @ 230VAC
MTBF	min. 100,000 hours demonstrated
Size	4.25" (108.0mm) x 2.50" (64.5mm) x 1.30" (33.0mm)
Weight	0.60 lbs (0.27 kg)

Environmental

Operating Temperature	0 – 60°C (Full load to 40°C, derate linearly to 50% load at 60°C)
Storage Temperature	-40°C to +85°C
Relative Humidity	5-95%, non-condensing
Cooling	Natural Convection
Vibration	All units production tested to 19.6m/s ²

EMC & Safety

Emissions	FCC class B, CISPR22 class B EN61000-3-2, -3
Immunity	EN61000-4-2, -3, -4, -5, -6, -8, -11
Certified by:	cTUVus
	UL 60950-1
	CAN/CSA-22.2 No.60950-1
	CB per IEC60950-1
	CE marked to LVD & EMC Directive

Input Configuration

Standard Input Cable	6 ft cable with US standard (Nema 5-15) 3 prong connector
Connection on Power Supply Body	IEC 320 C14 Receptacle

Output Configuration

Standard Output Cable	6 ft.
Cord Size	2x16awg zip
Connector (PSU side)	Switchcraft 760 or equivalent
Mating Connector	Switchcraft 712A or equivalent

Output Pin Assignments

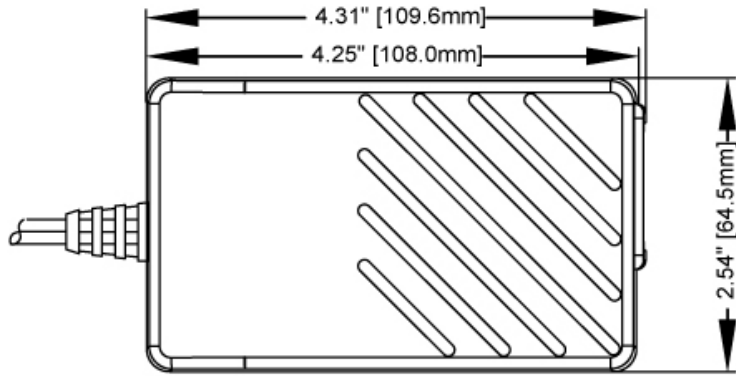
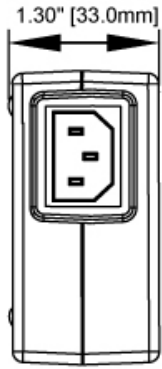
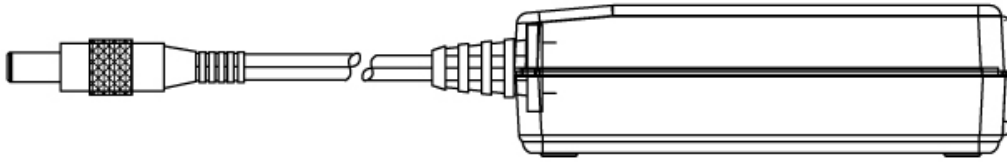


Center

+v1

Outside

Return



X-ON Electronics

Largest Supplier of Electrical and Electronic Components

Click to view similar products for [iccnexergy](#) manufacturer:

Other Similar products are found below :

[FVA100018A](#) [MVA100015A](#) [MWA120015A-12A](#) [MWA220024A-12A](#) [FWC080015A-12B](#) [FSA150018A](#) [FWE050018B-10B](#) [FSA150015A](#)
[MWA120048A-11A](#) [FXA350015A](#) [FWA120048A-11B](#) [MWA080012A-12A](#) [FWE030018A-10B](#) [MW2415-760-NC-WH](#) [FTA040009A](#)
[FWE050012B-10B](#) [MWB100018A-12A](#) [FWA120015A-12B](#) [MWA050012B-10A](#) [MS4018F](#) [FWB100018A-11B](#) [MSA150018A](#)
[FSA150012A](#) [MWA150015A-12A](#) [FSA150024A](#) [MS6515F](#) [MWA020005A-10A](#) [MWA065012A-11A](#) [MW1224-760-NC-WH](#) [FXA350028A](#)
[MTA040015A](#) [MVA100018A](#)