



## FWE030 Class II

### 30 Watt ITE Desktop Power Supply

- High Efficiency
- Fully Regulated DC Output
- 5-Year Limited Warranty
- Hold-up Time > 16ms at full load
- Safety Approval-EN60950-1 Class II
- Level V, EuP Directive Compliant
- LED Indicator

### Overview

Over the later part of 2015, we will be changing the way we sell ITE power supplies thru distribution to no longer include AC cords with the units. During this time of transition you find both versions available for sale. They can be distinguished by the part number, parts ending in -10B will include a cord in the box, parts ending in -10A will not include a cord. If your distributor has not already made a recommendation on a cord, please do not hesitate to ask us for assistance.

Elpac Part Number	Output Voltage	Output Current	Peak Current	Total Regulation	Typical Efficiency
FWE030005B-10B	5.0V	6.0A	7.2A	+/-5%	84%
FWE030005B-10A	5.0V	6.0A	7.2A	+/-5%	84%
FWE030009B-10B	9.0V	3.3A	4.0A	+/-5%	85%
FWE030012B-10A	12.0V	2.5A	3.0A	+/-5%	85%
FWE030012B-10B	12.0V	2.5A	3.0A	+/-5%	85%
FWE030015B-10B	15.0V	2.0A	2.4A	±5%	87%
FWE030015B-10A	15.0V	2.0A	2.4A	+/-5%	87%
FWE030018B-10A	18.0V	1.7A	2.0A	+/-5%	87%
FWE030018B-10B	18.0V	1.7A	2.0A	+/-5%	87%
FWE030024B-10B	24.0V	1.25A	1.5A	+/-5%	89%
FWE030024B-10A	24.0V	1.25A	1.5A	+/-5%	89%

### Input


Input Voltage	85-264VAC; 100-240VAC Nominal
Input Frequency	47-63Hz
Input Current	<1.0A rms
Inrush Current	<60A @ 230VAC cold start
Zero Load Power Consumption	<0.3W
Touch Leakage Current	<50µA @ 132VAC @ 60Hz (typical) <80µA @ 264VAC @ 60Hz (typical)

### Output

Output Voltage	See Model Overview Table
Total Regulation	+/-5%
Minimum Load	No minimum load required
Start-Up Delay	<1.5s
Hold-Up Time	>16ms at any input voltage
Ripple & Noise	<1% pk-pk**
Over Voltage Protection	112-135%
Over Temperature Protection	Active - Recoverable; plus Passive - Non Recoverable
Over Current Protection	108% - 180%
Short Circuit Protection	Shutdown, auto-restart (hiccup mode)


General	
Efficiency	Avg Efficiency 87% at 115VAC; 86.3% @ 230VAC
MTBF	min. 200,000 hours demonstrated
Size	3.53" x 1.92" x 1.00"   89.6mm x 48.4mm x 25.2mm
Weight	5V 0.4lbs (0.2Kg); 24V 0.3 lbs (0.16Kg)
Power Density	4.47 W/in <sup>3</sup>

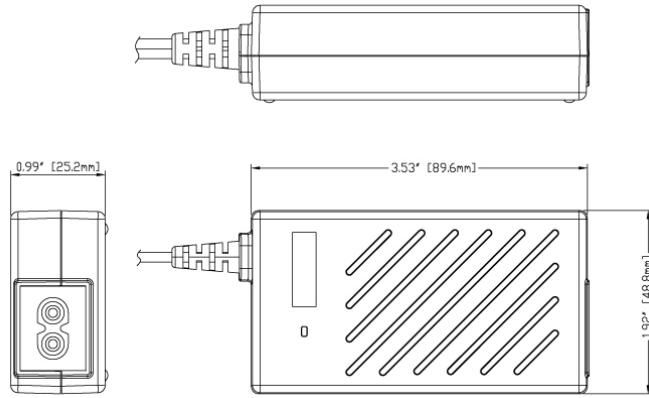
Environmental	
Operating Temperature	0 – 60°C (Full load to 40°C, derate linearly to 50% load at 60°C)
Storage Temperature	-40°C to +85°C
Relative Humidity	5-95%, non-condensing
Cooling	Natural Convection
Vibration	All units production tested to 19.6m/s <sup>2</sup>

EMC & Safety	
Emissions	FCC class B, CISPR11 class B EN61000-3-2, -3
Immunity	EN61000-4-2, -3, -4, -5, -6, -8, -11
Certified by TUV to the following:	cTUVus
	UL 60950-1 2nd edition
	CAN/CSA-22.2 No.950-1
	CB per IEC60950-1
	CE marked to LVD and EMC Directives

Input Configuration	
Standard Input Cable	Not Provided
Connection on Power Supply Body	IEC 320 C8 Receptacle

Output Configuration	
Standard Output Cable	4 ft.
Cord Size	2x16awg zip
Connector (PSU side)	Switchcraft 760 or equivalent
Mating Connector	Switchcraft 712A or equivalent

Output Pin Assignments	
	
Center	+V1
Outside	Return



## X-ON Electronics

Largest Supplier of Electrical and Electronic Components

*Click to view similar products for [Desktop AC Adapters](#) category:*

*Click to view products by [ICCNexergy](#) manufacturer:*

Other Similar products are found below :

[YS50-1903150](#) [ADP-40KD BBBM](#) [DTA27-3X-W-5](#) [212A2136](#) [ADP485-01](#) [SWA-1202](#) [SWA-1501](#) [212A2220](#) [212A2220-02](#) [212A2220-04](#)  
[FWE030015A-10A](#) [TRH100A135-02E12-Level-VI](#) [TRH100A180-11E13-Level-VI](#) [TRH100A240-01E13-Level-VI](#) [TRH100A280-01E13-](#)  
[Level-VI](#) [TRH100A280-11E13-Level-VI](#) [TRH50A120-02E01-Level-VI](#) [TRH50A120-12E01-Level-VI](#) [TRH50A120-40E01-Level-VI](#)  
[TRH50A150-12E12-Level-VI](#) [TRH50A180-11E03-Level-VI](#) [TRH50A240-02E03-Level-VI](#) [TRH70A120-11E01-Level-VI](#) [TRH70A150-](#)  
[12E02-Level-VI](#) [TRH70A240-11E03-Level-VI](#) [416FG41017](#) [DTA27-0512FWX-W3](#) [TRH100A120-02E12-Level-VI](#) [TRH100A150-11E12-](#)  
[Level-VI](#) [TRH100A180-02E13-Level-VI](#) [TRH100A240-02E13-Level-VI](#) [TRH100A240-36E13-Level-VI](#) [TRH100A280-12E13-Level-VI](#)  
[TRH100A480-11E13-Level-VI](#) [TRH100A480-12E13-Level-VI](#) [TRH50A120-11E01-Level-VI](#) [TRH50A120-49E01-Level-VI](#) [TRH50A150-](#)  
[11E02-Level-VI](#) [TRH50A150-12E02-Level-VI](#) [TRH70A120-01E01-Level-VI](#) [TRH70A480-02E03-Level-VI](#) [KR8-PS01](#) [1894875](#)  
[FWE030012A-10A](#) [FWE050024B-10A](#) [820A4080G](#) [825A0052-03](#) [825A0057-03](#) [SWA-1704W](#) [AD5012N2LM-\(401\)](#)