



## MW40 Series

### 40 Watt Medical Desktop Power Supply

- High Efficiency: Level V
- Fully Regulated DC Output
- Lifetime Expectation >5 years
- Hold-up Time >16ms at full load
- Medical Approval - EN60601-1 Class I

Elpac Part Number	Output Voltage	Output Current	Peak Current <sup>1</sup>	Total Regulation <sup>2</sup>	Typical Efficiency <sup>3</sup>
MW4009-760F-NC-BK	9.0V	4.4A	5.3A	±5%	84%
MW4012-760F-NC-BK	12.0V	3.3A	4.0A	±5%	86%
MW4015-760F-NC-BK	15.0v	2.6A	3.2A	±5%	87%
MW4018-760F-NC-BK	18.0V	2.2A	2.6A	±5%	87%
MW4024-760F-NC-BK	24.0V	1.7A	2.0A	±5%	88%

#### Notes

1 Maximum peak load (48W) lasting 500ms with a maximum 10% duty cycle.

2 Includes initial setting, line regulation, load, regulation, and thermal drift.

3 Typical at 115VAC

#### Input

Input Voltage	85 – 264VAC 100 – 240VAC Nominal
Input Frequency	47 – 63Hz
Input Current	<1A rms
Inrush Current	<37A at 230VAC cold start
Zero Load Power Consumption	0.3W
Touch Leakage Current	<50µA @ 132VAC @ 60Hz <75µA @ 264VAC @ 60Hz

## Output

Output Voltage	See Table
Total Regulation	+/-5%
Minimum Load	No minimum load required
Start-Up Delay	<.25s
Hold-Up Time	>16ms
Ripple & Noise	<1% pk-pk ** *
Over Voltage Protection	110-135%
Over Temperature Protection	Active - Recoverable; plus Passive - Non Recoverable
Over Current Protection	120 - 180%
Short Circuit Protection	shutdown, auto-restart (hiccup mode)

### Notes

\* Ripple and noise measured with 20MHz bandwidth; 10µF tantalum capacitor in parallel with a 0.1µF ceramic capacitor.

## General

Efficiency	Avg Efficiency 86.4% @ 115VAC; 85.7% @ 230VAC
MTBF	min. 200,000 hours demonstrated
Size	5.0 (127.0mm) x 3.0 (76.2 mm) x 1.3 (33.0mm)
Weight	0.8 lbs (.36 kg)

## Environmental

Operating Temperature	0 - 40C, linearly derated to 50% load at 60C
Storage Temperature	-40°C to +85°C
Relative Humidity	5-95%, non-condensing
Cooling	Natural Convection
Vibration	All units production tested to 19.6m/s <sup>2</sup>

## EMC & Safety

Emissions FCC class B, CISPR11 class B EN61000-3-2, -3

Immunity EN61000-4-2, -3, -4, -5, -6, -8, -11

Certified by TUV to the following:



cTUVus

UL 60601-1

CAN/CSA-22.2 No.601.1-M90

CB per IEC60601-1

CE marked to LVD

## Input Configuration

Standard Input Cable Not Provided

Connection on Power Supply Body IEC 320 C14 Receptacle

## Output Configuration

Standard Output Cable 6 ft.

Cord Size 2x16awg

Connector (PSU side) Switchcraft 760 or equivalent

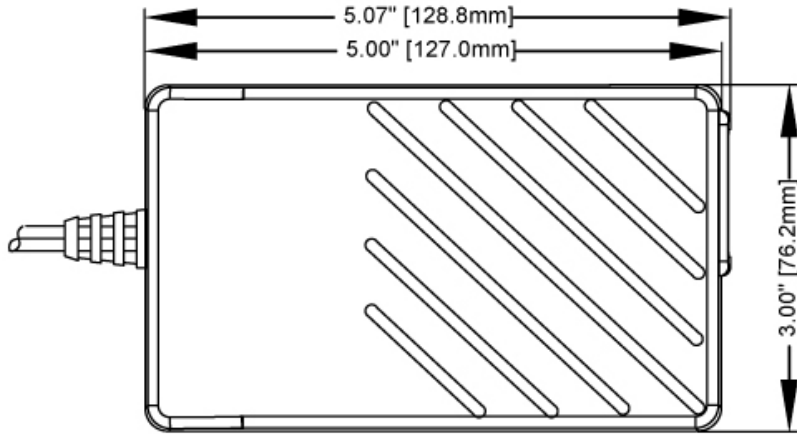
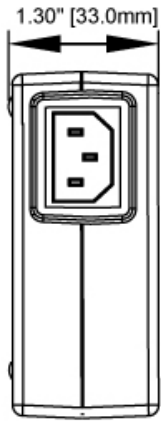
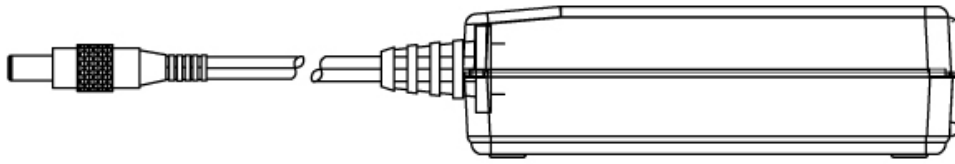
Mating Connector Switchcraft 712A or equivalent

## Output Pin Assignments



Center +v1

Outside Return



## X-ON Electronics

Largest Supplier of Electrical and Electronic Components

*Click to view similar products for [Desktop AC Adapters](#) category:*

*Click to view products by [ICCNexergy](#) manufacturer:*

Other Similar products are found below :

[212A2136](#) [ADP485-01](#) [SWA-1202](#) [SWA-1501](#) [212A2220](#) [KR8-PS01](#) [1894875](#) [FWE050024B-10A](#) [820A4080G](#) [825A0057-03](#) [SWA-1704W](#) [AD5012N2LM-\(401\)](#) [TRH21A120-49E03-Level-VI](#) [FWE050012B-10A](#) [AC-DC ADAPTER 90W w/ Cable](#) [FWA065024A-11A](#) [PSA120U-560L6](#) [96PSA-A63W18V1-M](#) [1895235](#) [PW-C0725-W2-B](#) [57-U1](#) [57-U2](#) [SED80N2-16.0](#) [SED80N3-16.0](#) [RFQ43442-01](#) [YS50-1903150](#) [50966124050E](#) [PCM50UT04](#) [PCM50UT05](#) [CPSUNOTAKY-07056](#) [CPSUNOTAKY-07168](#) [CPSUNOTAKY-07169](#) [CPSUNOTAKY-07234](#) [CPSUNOTAKY-07236](#) [CPSUNOTAKY-07288](#) [CPSUNOTAKY-07312](#) [CPSUNOTAKY-07342](#) [CPSUNOTAKY-07387](#) [CPSUNOTAKY-07388](#) [TE30A0503F01](#) [TE30A4803F01](#) [TE40A2403F01](#) [TE40A2403N01](#) [ME30A1803N01](#) [ME30A4803F01](#) [ME40A1203N01](#) [ME40A2403N01](#) [MENT1150A2451F01](#) [125530040F](#) [1255300611](#)