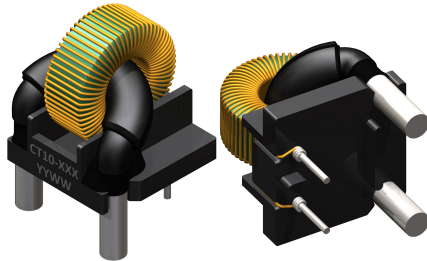


CT10 Series THT Current Sense Transformers



FEATURES

- Primary Current Ratings for up to 40A
- Optimized for Frequencies from 10kHz to 400kHz
- Full Selections of Turns Ratios

APPLICATIONS

- DC/DC Converters
- AC/DC Converters

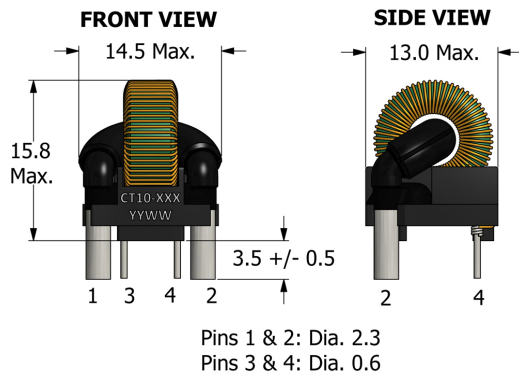
PACKAGING

Pieces/Tray: 121

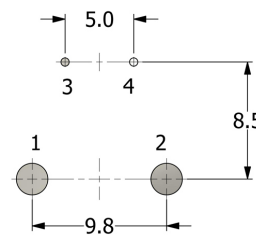
Trays/Box: 10

Pieces/Box: 1210

Mechanical Drawing

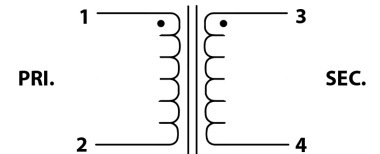


Footprint



TOP VIEW

Schematic



Unit: mm

Electrical Specifications

Part Number	Turns Ratio (Pri:Sec)	Ls ¹ (mH, min.)	DCR ² (Pri) (mΩ, max.)	DCR ² (Sec) (Ω, max.)	Rated RMS Current ⁴ (A)	Rated Peak Current ⁴ (A)	Frequency Range(kHz)	Hi-Pot ⁵ (V _{AC}) (Pri:Sec)
CT10-100	1:100	14.0	0.2	1.2	40	45	10 - 400	3000
CT10-200	1:200	55.0	0.2	4.0	40	80	10 - 70	3000
CT10-300	1:300	120.0	0.2	10.0	40	80	10 - 70	3000
CT10-400	1:400	210.0	0.2	27.0	40	80	10 - 60	3000

Notes:

1. Tested at 10kHz, 0.1Vrms (Terminals 3-4).
2. Electrical specifications at 25°C.
3. Operating range: -40°C to +130°C.
4. Current ratings for primary winding.
5. Tested at 60Hz, 3mA, 2secs.
6. Meets UL 94V-0.



Specifications subject to change without prior notice.

X-ON Electronics

Largest Supplier of Electrical and Electronic Components

Click to view similar products for [Current Transformers](#) category:

Click to view products by [ICE](#) manufacturer:

Other Similar products are found below :

[L595100](#) [ACST-260](#) [AKW4802C](#) [MP3500](#) [L595050](#) [E54CT1L](#) [CTD-KIT](#) [44021](#) [44104](#) [44176](#) [44248](#) [45041](#) [45071](#) [PA3828NL](#) [CT16-1-50A/50MA](#) [SPCT 100/60 1200/5A VA 15 CL 0.5](#) [SPCT 100/60 1000/5A VA 15 CL 0.5](#) [SPCT 100/60 600/5 A VA 7.5 CL 1](#) [SPCT 100/60 600/5 A VA 5 CL 0.5](#) [SPCT 100/60 800/5 A VA 10 CL 0.5](#) [SPCT 140/100 1200/5A VA 15 CL 0.5](#) [SPCT 140/100 1250/5A VA 15 CL 0.5](#) [SPCT 140/100 1500/5A VA 15 CL 0.5](#) [SPCT 140/100 1600/5A VA 15 CL 0.5](#) [SPCT 140/100 1000/5A VA 15 CL 0.5](#) [SPCT 140/100 2500/5A VA 15 CL 0.5](#) [SPCT 140/100 2000/5A VA 15 CL 0.5](#) [SPCT 140/100 3000/5A VA 15 CL 0.5](#) [SPCT 140/100 800/5A VA 15 CL 0.5](#) [SPCT 62/30 50/5A VA1 CL 3](#) [SPCT 62/30 60/5A VA1 CL 3](#) [SPCT 62/30 75/5A VA1 CL 3](#) [SPCT 62/30 75/5A VA3 CL 3](#) [SPCT 62/40 100/5 A VA 1 CL 1](#) [SPCT 62/40 125/5 A VA 1 CL 1](#) [SPCT 62/40 150/5 A VA 3 CL 1](#) [SPCT 62/40 160/5 A VA 1.5 CL 1](#) [SPCT 62/40 200/5 A VA 3 CL 1](#) [SPCT 62/40 250/5 A VA 2.5 CL 0.5](#) [SPCT 62/40 250/5 A VA 3 CL 1](#) [SPCT 62/40 300/5 A VA 3 CL 0.5](#) [SPCT 62/40 400/5 A VA 3.75 CL 0.5](#) [2CSM029000R1211](#) [HPT205NBJ-1](#) [HCT204KFH](#) [HCT20K-QD](#) [HPT205A/F](#) [HCT-1\(80\)AH](#) [HCT916HBT-1W](#) [CT100A](#)