

Data Sheet



Helping Engineer the Technology of Power

ICE Components, Inc.

Tel 678-560-9172 Fax 678-560-9304

cust.serv@icecomp.com

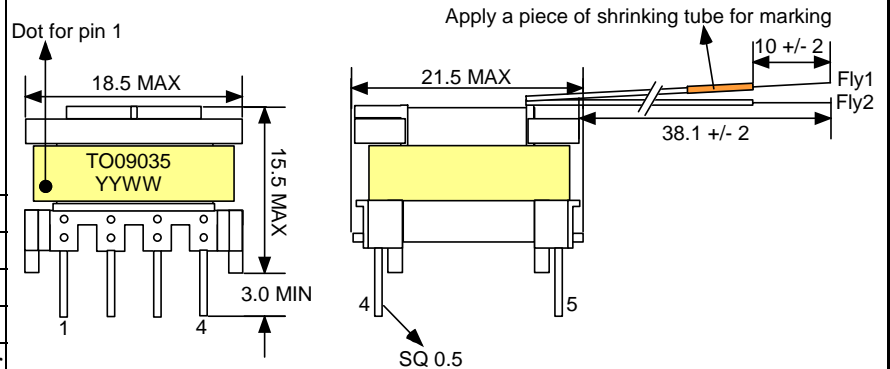
www.icecomponents.com

1165 Allgood Rd., Ste. #20, Marietta, GA 30062

General Information

Customer	
Part Number	TO09035
Revision	0
Description	8W Flyback Transformer
Date	NOV-10-2010
Reference	OPP10769
Doc Control #	1011-958P
Issue(For ICE use only)	--

Mechanical Drawing



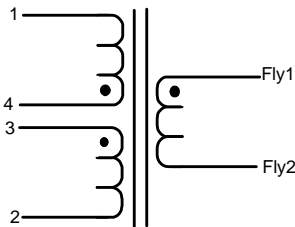
unit:mm

Specification

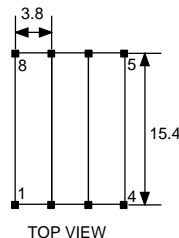
Sample Test Data

Item	Pins	Spec	Test Condition										
Inductance (HP-4284A)	4 - 1	1.8 mH +/- 5%	100kHz, 1Vrms, series										
Leakage Inductance	4 - 1 short (2,3, Fly1, Fly2)	20 uH max	100kHz, 1Vrms, series										
DCR	4 - 1	1.8 Ohms max	25 deg C										
	3 - 2	0.3 Ohms max											
	Fly1 - Fly2	0.2 Ohms max											
Voltage Ratio & Phasing Test	4 - 1	1050 mV +/- 3 mV	10 kHz, i/p: 3 - Fly2 = 1380 mV, short (2 - 4, 1 - Fly1)										
	3 - 2	130 mV +/- 3 mV											
	Fly1 - Fly2	200 mV +/- 3 mV											
Hi - Pot	(1,2,3,4) - (Fly1, Fly2)		3000 Vac, 60Hz, 1 mA, 1 minute										
	Winding - Core		1500 Vac, 60Hz, 1 mA, 1 minute										

Schematic



Footprint



unit:mm

Remark

1) This is RoHS compliant product.

Sample approval is required before release to production. Sample specifications take precedence over customer specifications.

Customer Signature

Rev.	Description	PRD	CHK	APP	Date	NTFY
0	Initial release	Emily	Joe	L. L. Chou	2010/11/10	2010/11/0

X-ON Electronics

Largest Supplier of Electrical and Electronic Components

Click to view similar products for [Power Transformers](#) category:

Click to view products by [ICE](#) manufacturer:

Other Similar products are found below :

[ET-030A](#) [F-102X](#) [F-120X](#) [F-14X-1](#) [F-181U](#) [F-18A](#) [F-199U](#) [F-19X](#) [F-202U](#) [F-204U](#) [F-206U](#) [F-227X](#) [F-238U](#) [F-239U-1](#) [F-23U](#) [F24-250-B](#)
[F-242U](#) [F-245U](#) [F-264U](#) [F-265U](#) [F-267U](#) [F-281U](#) [F-283U](#) [F-290X](#) [F-295Z](#) [F-296Z](#) [F-298Z](#) [F-3143P](#) [F-3298Z](#) [F-33U](#) [F-346X](#) [F-35U](#) [F-](#)
[364U](#) [F-392A](#) [F-395X](#) [F-397U](#) [F-412X](#) [F-47U](#) [F-55X-1](#) [F-60U](#) [F-68U](#) [F-71U](#) [F-72Z](#) [F-74U](#) [F-83A](#) [F-84AC](#) [F-85U](#) [F-86U](#) [F-9U](#) [PCT-02](#)