



AiP74HC/HCT4051
8-channel Analog
Multiplexer/Demultiplexer

Product Specification

Specification Revision History:

Version	Date	Description
2019-12-A1	2019-12	New



1、 General Description

The AiP74HC/HCT4051 is a single-pole octal-throw analog switch (SP8T) suitable for use in analog or digital 8:1 multiplexer/demultiplexer applications. The switch features three digital select inputs (S0, S1 and S2), eight independent inputs/outputs (Yn), a common input/output (Z) and a digital enable input (\bar{E}).

When \bar{E} is HIGH, the switches are turned off. Inputs include clamp diodes. This enables the use of current limiting resistors to interface inputs to voltages in excess of V_{CC} .

Features:

- Wide analog input voltage range from -5 V to +5 V
- Wide supply voltage range
AiP74HC4051: from 3V to 9V
AiP74HCT4051: from 4.5V to 5.5V
- Low ON resistance:
 - 80 Ω (typical) at $V_{CC} - V_{EE} = 4.5$ V
 - 70 Ω (typical) at $V_{CC} - V_{EE} = 6.0$ V
 - 60 Ω (typical) at $V_{CC} - V_{EE} = 9.0$ V
- Logic level translation: to enable 5 V logic to communicate with ± 5 V analog signals
- Typical “break before make” built-in
- Specified from -40°C to +85°C
- Packaging information: DIP16/SOP16/TSSOP16/DHVQFN16

Applications:

- Analog multiplexing and demultiplexing
- Digital multiplexing and demultiplexing
- Signal gating

**Ordering Information:****Tube packing specifications:**

Type number	Packaging form	Marking code	Tube quantity	Boxed tube quantity	Boxed quantity	Packing box number	Packing quantity	Notes
AiP74HC4051DA.TB	DIP16	74HC4051	25 PCS/tube	40 tube/box	1000 PCS/box	10 box/pack	10000 PCS/pack	Dimensions of plastic enclosure: 19.0mm×6.4mm Pin spacing: 2.54mm
AiP74HCT4051DA.TB	DIP16	74HCT4051	25 PCS/tube	40 tube/box	1000 PCS/box	10 box/pack	10000 PCS/pack	Dimensions of plastic enclosure: 19.0mm×6.4mm Pin spacing: 2.54mm
AiP74HC4051SA.TB	SOP16	74HC4051	50 PCS/tube	200 tube/box	10000 PCS/box	5 box/pack	50000 PCS/pack	Dimensions of plastic enclosure: 10.0mm×3.9mm Pin spacing: 1.27mm
AiP74HCT4051SA.TB	SOP16	74HCT4051	50 PCS/tube	200 tube/box	10000 PCS/box	5 box/pack	50000 PCS/pack	Dimensions of plastic enclosure: 10.0mm×3.9mm Pin spacing: 1.27mm
AiP74HC4051TA.TB	TSSOP16	74HC4051	96 PCS/tube	120 tube/box	19200 PCS/box	10 box/pack	192000 PCS/pack	Dimensions of plastic enclosure: 5.0mm×4.4mm Pin spacing: 0.65mm
AiP74HCT4051TA.TB	TSSOP16	74HCT4051	96 PCS/tube	120 tube/box	19200 PCS/box	10 box/pack	192000 PCS/pack	Dimensions of plastic enclosure: 5.0mm×4.4mm Pin spacing: 0.65mm

**Reel packing specifications:**

Type number	Packaging form	Marking code	Reel quantity	Boxed reel quantity	Packing quantity	Notes
AiP74HC4051SA.TR	SOP16(1)	74HC4051	2500 PCS/reel	5000 PCS/box	20000 PCS/pack	Dimensions of plastic enclosure: 10.0mm×3.9mm Pin spacing:1.27mm
AiP74HCT4051SA.TR	SOP16(1)	74HCT4051	2500 PCS/reel	5000 PCS/box	20000 PCS/pack	Dimensions of plastic enclosure: 10.0mm×3.9mm Pin spacing:1.27mm
AiP74HC4051SA.TR	SOP16(2)	74HC4051	2500 PCS/reel	2500 PCS/box	40000 PCS/pack	Dimensions of plastic enclosure: 10.0mm×3.9mm Pin spacing:1.27mm
AiP74HCT4051SA.TR	SOP16(2)	74HCT4051	2500 PCS/reel	2500 PCS/box	40000 PCS/pack	Dimensions of plastic enclosure: 10.0mm×3.9mm Pin spacing:1.27mm
AiP74HC4051TA.TR	TSSOP16	74HC4051	2500 PCS/reel	5000 PCS/box	40000 PCS/pack	Dimensions of plastic enclosure: 5.0mm×4.4mm Pin spacing:0.65mm
AiP74HCT4051TA.TR	TSSOP16	74HCT4051	2500 PCS/reel	5000 PCS/box	40000 PCS/pack	Dimensions of plastic enclosure: 5.0mm×4.4mm Pin spacing:0.65mm
AiP74HC4051QE.TR	DHVQFN16	HC4051	3000 PCS/reel	3000 PCS/box	60000 PCS/pack	Dimensions of plastic enclosure: 3.5mm×2.5mm Pin spacing: 0.5mm
AiP74HCT4051QE.TR	DHVQFN16	HCT4051	3000 PCS/reel	3000 PCS/box	60000 PCS/pack	Dimensions of plastic enclosure: 3.5mm×2.5mm Pin spacing: 0.5mm

Note: If the physical information is inconsistent with the ordering information, please refer to the actual product.



2、Block Diagram And Pin Description

2.1、Block Diagram

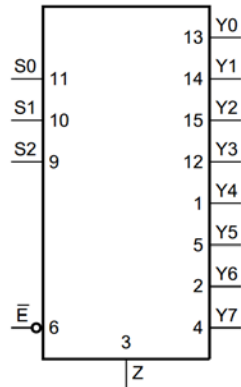


Figure 1. Logic symbol

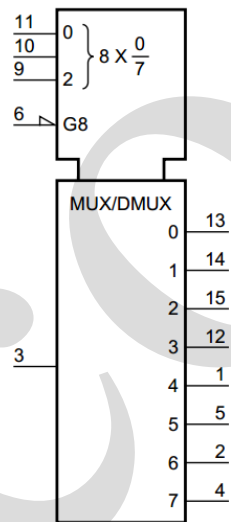


Figure 2. IEC logic symbol

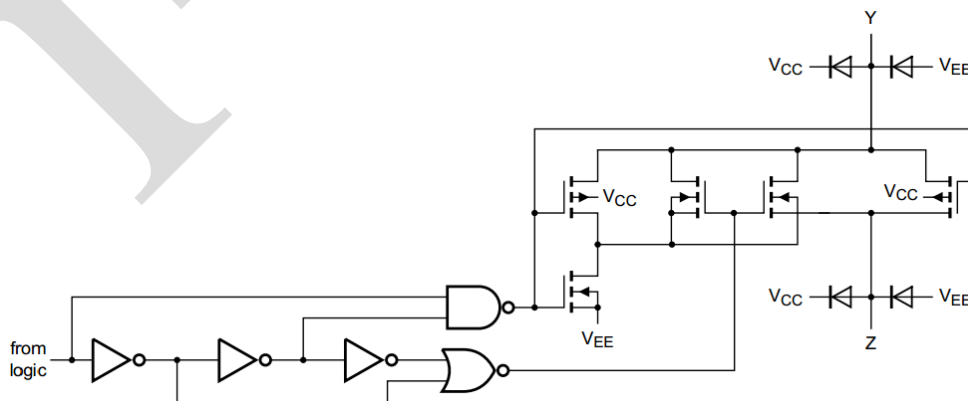


Figure 3. Schematic diagram (one switch)

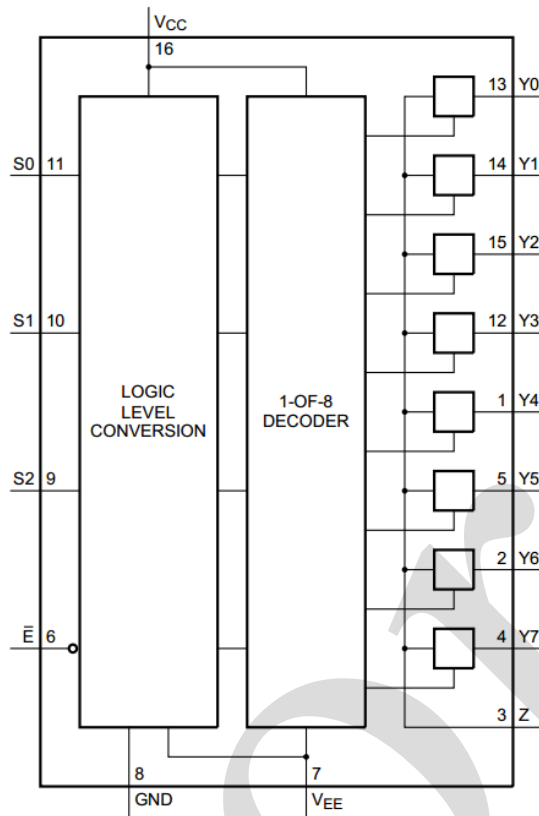
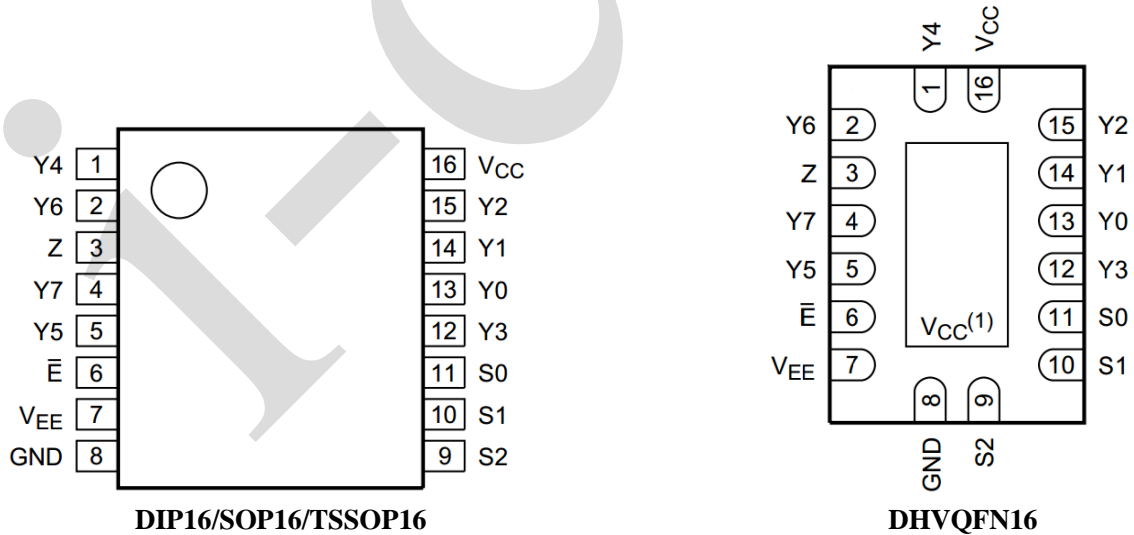


Figure 4. Functional diagram

2.2、Pin Configurations



Note:

(1) This is not a supply pin. The substrate is attached to this pad using conductive die attach material. There is no electrical or mechanical requirement to solder this pad. However, if it is soldered, the solder land should remain floating or be connected to V_{CC}.



2.3、Pin Description

Pin No.	Pin Name	Description
1	Y4	independent input or output
2	Y6	independent input or output
3	Z	common output or input
4	Y7	independent input or output
5	Y5	independent input or output
6	\bar{E}	enable input (active LOW)
7	V _{EE}	supply voltage
8	GND	ground supply voltage
9	S2	select input
10	S1	select input
11	S0	select input
12	Y3	independent input or output
13	Y0	independent input or output
14	Y1	independent input or output
15	Y2	independent input or output
16	V _{CC}	supply voltage

2.4、Function Table

Input				Channel ON
\bar{E}	S3	S2	S1	
L	L	L	L	Y0 to Z
L	L	L	H	Y1 to Z
L	L	H	L	Y2 to Z
L	L	H	H	Y3 to Z
L	H	L	L	Y4 to Z
L	H	L	H	Y5 to Z
L	H	H	L	Y6 to Z
L	H	H	H	Y7 to Z
H	X	X	X	switches off

Note: H=HIGH voltage level; L=LOW voltage level; X=don't care.



3、Electrical Parameter

3.1、Absolute Maximum Ratings

(Voltages are referenced to $V_{SS}=0V$ (ground), unless otherwise specified.)

Parameter	Symbol	Conditions	Min.	Max.	Unit
supply voltage	V_{CC}	- ^[1]	-0.5	+11	V
input clamping current	I_{IK}	$V_I < -0.5 V$ or $V_I > V_{CC} + 0.5 V$	-	± 20	mA
switch clamping current	I_{SK}	$V_{SW} < -0.5 V$ or $V_{SW} > V_{CC} + 0.5 V$	-	± 20	mA
switch current	I_{SW}	$-0.5 V < V_{SW} < V_{CC} + 0.5 V$	-	± 25	mA
supply current	I_{EE}	-	-	± 20	mA
supply current	I_{CC}	-	-	50	mA
ground current	I_{GND}	-	-	-50	mA
storage temperature	T_{stg}	-	-65	+150	°C
total power dissipation	P_{tot}	- ^[2]	-	500	mW
power dissipation	P	per switch	-	100	mW
Soldering temperature	T_L	10s	DIP	245	°C
			SOP	250	°C
			DHVQFN	250	°C

Note:

- [1] To avoid drawing V_{CC} current out of terminal Z, when switch current flows into terminals Y_n , the voltage drop across the bidirectional switch must not exceed 0.4 V. If the switch current flows into terminal Z, no V_{CC} current will flow out of terminals Y_n , and in this case there is no limit for the voltage drop across the switch, but the voltages at Y_n and Z may not exceed V_{CC} or V_{EE} .
- [2] For DIP16 packages: above 70°C the value of P_{tot} derates linearly with 12mW/K.
For SOP16 packages: above 70°C the value of P_{tot} derates linearly with 8mW/K.
For (T)SSOP16 packages: above 60°C the value of P_{tot} derates linearly with 5.5mW/K.
For DHVQFN16 packages: above 60°C the value of P_{tot} derates linearly with 4.5mW/K.



3.2、Recommended Operating Conditions

Parameter	Symbol	Conditions	Min.	Typ.	Max.	Unit
AiP74HC4051						
supply voltage	V_{CC}	$V_{CC} - GND$	3.0	5.0	9.0	V
		$V_{CC} - V_{EE}$	3.0	5.0	9.0	V
input voltage	V_I	-	0	-	V_{CC}	V
switch voltage	V_{SW}	-	V_{EE}	-	V_{CC}	V
ambient temperature	T_{amb}	in free air	-40	-	+85	°C
input transition rise and fall rate	$\Delta t/\Delta V$	$V_{CC} = 4.5 V$	-	1.67	139	ns/V
		$V_{CC} = 6.0 V$	-	-	83	ns/V
		$V_{CC} = 9.0 V$	-	-	31	ns/V
AiP74HCT4051						
supply voltage	V_{CC}	$V_{CC} - GND$	4.5	5.0	5.5	V
		$V_{CC} - V_{EE}$	3.0	5.0	9.0	V
input voltage	V_I	-	0	-	V_{CC}	V
switch voltage	V_{SW}	-	V_{EE}	-	V_{CC}	V
ambient temperature	T_{amb}	in free air	-40	-	+85	°C
input transition rise and fall rate	$\Delta t/\Delta V$	$V_{CC} = 4.5 V$	-	1.67	139	ns/V
		$V_{CC} = 6.0 V$	-	-	-	ns/V
		$V_{CC} = 9.0 V$	-	-	-	ns/V

3.3、Electrical Characteristics

3.3.1、DC Characteristics 1

($T_{amb}=25^{\circ}C$, voltages are referenced to GND (ground=0V), unless otherwise specified.)

Parameter	Symbol	Conditions	Min.	Typ.	Max.	Unit
ON resistance (peak)	$R_{ON(peak)}$	$V_{is} = V_{CC} \text{ to } V_{EE};$ $I_{SW} = 1000 \mu A$ $V_{CC} = 4.5 V;$ $V_{EE} = 0 V$	-	100	180	Ω
		$V_{is} = V_{CC} \text{ to } V_{EE};$ $I_{SW} = 1000 \mu A$ $V_{CC} = 6.0 V;$ $V_{EE} = 0 V$	-	90	160	Ω
		$V_{is} = V_{CC} \text{ to } V_{EE};$ $I_{SW} = 1000 \mu A$ $V_{CC} = 4.5 V;$ $V_{EE} = -4.5 V$	-	70	130	Ω
ON resistance (rail)	$R_{ON(rail)}$	$V_{is} = V_{EE};$ $I_{SW} = 1000 \mu A$ $V_{CC} = 4.5 V;$ $V_{EE} = 0 V$	-	80	140	Ω
		$V_{is} = V_{EE};$ $I_{SW} = 1000 \mu A$ $V_{CC} = 6.0 V;$ $V_{EE} = 0 V$	-	70	120	Ω
		$V_{is} = V_{EE};$ $I_{SW} = 1000 \mu A$ $V_{CC} = 4.5 V;$ $V_{EE} = -4.5 V$	-	60	105	Ω
		$V_{is} = V_{CC};$ $I_{SW} = 1000 \mu A$ $V_{CC} = 4.5 V;$ $V_{EE} = 0 V$	-	90	160	Ω
		$V_{is} = V_{CC};$ $I_{SW} = 1000 \mu A$ $V_{CC} = 6.0 V;$ $V_{EE} = 0 V$	-	80	140	Ω



			$V_{CC} = 4.5\text{ V};$ $V_{EE} = -4.5\text{ V}$	-	65	120	Ω
ON resistance mismatch between channels	ΔR_{ON}	$V_{is} = V_{CC}$ to V_{EE}	$V_{CC} = 4.5\text{ V};$ $V_{EE} = 0\text{ V}$	-	9	-	Ω
			$V_{CC} = 6.0\text{ V};$ $V_{EE} = 0\text{ V}$	-	8	-	Ω
			$V_{CC} = 4.5\text{ V};$ $V_{EE} = -4.5\text{ V}$	-	6	-	Ω
AiP74HC4051							
HIGH-level input voltage	V_{IH}		$V_{CC} = 4.5\text{ V}$	3.15	2.4	-	V
			$V_{CC} = 6.0\text{ V}$	4.2	3.2	-	V
			$V_{CC} = 9.0\text{ V}$	6.3	4.7	-	V
LOW-level input voltage	V_{IL}		$V_{CC} = 4.5\text{ V}$	-	2.1	1.35	V
			$V_{CC} = 6.0\text{ V}$	-	2.8	1.8	V
			$V_{CC} = 9.0\text{ V}$	-	4.3	2.7	V
input leakage current	I_I	$V_{EE} = 0\text{ V};$ $V_I = V_{CC}$ or GND	$V_{CC} = 6.0\text{ V}$	-	-	± 0.1	μA
			$V_{CC} = 9.0\text{ V}$	-	-	± 0.2	μA
OFF-state leakage current	$I_{S(OFF)}$	$V_{CC} = 9.0\text{ V};$ $V_{EE} = 0\text{ V};$ $V_I = V_{IH}$ or $V_{IL};$ $ V_{SW} = V_{CC} - V_{EE};$ see Figure 7	per channel	-	-	± 0.1	μA
			all channels	-	-	± 0.4	μA
ON-state leakage current	$I_{S(ON)}$	$V_I = V_{IH}$ or $V_{IL};$ $ V_{SW} = V_{CC} - V_{EE}; V_{CC} = 9.0\text{ V};$ $V_{EE} = 0\text{ V};$ see Figure 8		-	-	± 0.4	μA
supply current	I_{CC}	$V_{EE} = 0\text{ V};$ $V_I = V_{CC}$ or GND; $V_{is} = V_{EE}$ or $V_{CC};$ $V_{os} = V_{CC}$ or V_{EE}	$V_{CC} = 6.0\text{ V}$	-	-	8.0	μA
			$V_{CC} = 9.0\text{ V}$	-	-	16.0	μA
input capacitance	C_I	-		-	3.5	-	pF
switch capacitance	C_{SW}	independent pins Yn		-	5	-	pF
		common pins Z		-	25	-	pF
AiP74HCT4051							
HIGH-level input voltage	V_{IH}	$V_{CC} = 4.5\text{ V}$ to 5.5 V		2.0	1.6	-	V
LOW-level input voltage	V_{IL}	$V_{CC} = 4.5\text{ V}$ to 5.5 V		-	1.2	0.8	V
input leakage current	I_I	$V_I = V_{CC}$ or GND; $V_{CC} = 5.5\text{ V}; V_{EE} = 0\text{ V}$		-	-	± 0.1	μA



OFF-state leakage current	$I_{S(OFF)}$	$V_{CC}=9.0\text{ V};$ $V_{EE}=0\text{ V};$ $V_I=V_{IH}\text{ or }V_{IL};$ $ V_{SW} =V_{CC}-V_{EE};$ see Figure 7	per channel	-	-	± 0.1	μA
			all channels	-	-	± 0.4	μA
ON-state leakage current	$I_{S(ON)}$	$V_{CC}=9.0\text{ V}; V_{EE}=0\text{ V};$ $V_I=V_{IH}\text{ or }V_{IL}; V_{SW} =V_{CC}-V_{EE};$ see Figure 8	-	-	± 0.4	μA	
supply current	I_{CC}	$V_I=V_{CC}\text{ or GND};$ $V_{is}=V_{EE}\text{ or }V_{CC};$ $V_{os}=V_{CC}\text{ or }V_{EE};$	$V_{CC}=5.5\text{ V};$ $V_{EE}=0\text{ V}$	-	-	8.0	μA
			$V_{CC}=4.5\text{ V};$ $V_{EE}=-4.5\text{ V}$	-	-	16.0	μA
additional supply current	ΔI_{CC}	per input; $V_I=V_{CC}-2.1\text{ V};$ other inputs at V_{CC} or GND; $V_{CC}=4.5\text{ V to }5.5\text{ V}; V_{EE}=0\text{ V}$	-	50	180	μA	
input capacitance	C_I	-	-	3.5	-	pF	
switch capacitance	C_{SW}	independent pins Yn	-	5	-	pF	
		common pins Z	-	25	-	pF	

Note:

[1] $V_I=V_{IH}$ or V_{IL} ; for test circuit see Figure 5.

[2] V_{is} is the input voltage at a Yn or Z terminal, whichever is assigned as an input.

[3] V_{os} is the output voltage at a Yn or Z terminal, whichever is assigned as an output.

3.3.2、DC Characteristics 2

($T_{amb} = -40^{\circ}\text{C} \sim 85^{\circ}\text{C}$, voltages are reference to GND (ground=0V), unless otherwise specified, unless otherwise specified.)

Parameter	Symbol	Conditions	Min.	Typ.	Max.	Unit	
ON resistance (peak)	$R_{ON(peak)}$	$V_{is}=V_{CC}\text{ to }V_{EE};$ $I_{SW}=1000\text{ }\mu\text{A}$	$V_{CC}=4.5\text{ V};$ $V_{EE}=0\text{ V}$	-	-	225	Ω
			$V_{CC}=6.0\text{ V};$ $V_{EE}=0\text{ V}$	-	-	200	Ω
			$V_{CC}=4.5\text{ V};$ $V_{EE}=-4.5\text{ V}$	-	-	165	Ω
ON resistance (rail)	$R_{ON(rail)}$	$V_{is}=V_{EE};$ $I_{SW}=1000\text{ }\mu\text{A}$	$V_{CC}=4.5\text{ V};$ $V_{EE}=0\text{ V}$	-	-	175	Ω
			$V_{CC}=6.0\text{ V};$ $V_{EE}=0\text{ V}$	-	-	150	Ω
			$V_{CC}=4.5\text{ V};$ $V_{EE}=-4.5\text{ V}$	-	-	130	Ω
		$V_{is}=V_{CC};$ $I_{SW}=1000\text{ }\mu\text{A}$	$V_{CC}=4.5\text{ V};$ $V_{EE}=0\text{ V}$	-	-	200	Ω



			$V_{CC} = 6.0\text{ V};$ $V_{EE} = 0\text{ V}$	-	-	175	Ω
			$V_{CC} = 4.5\text{ V};$ $V_{EE} = -4.5\text{ V}$	-	-	150	Ω
ON resistance mismatch between channels	ΔR_{ON}	$V_{is} = V_{CC} \text{ to } V_{EE}$	$V_{CC} = 4.5\text{ V};$ $V_{EE} = 0\text{ V}$	-	-	-	Ω
			$V_{CC} = 6.0\text{ V};$ $V_{EE} = 0\text{ V}$	-	-	-	Ω
			$V_{CC} = 4.5\text{ V};$ $V_{EE} = -4.5\text{ V}$	-	-	-	Ω
AiP74HC4051							
HIGH-level input voltage	V_{IH}		$V_{CC} = 4.5\text{ V}$	3.15	-	-	V
			$V_{CC} = 6.0\text{ V}$	4.2	-	-	V
			$V_{CC} = 9.0\text{ V}$	6.3	-	-	V
LOW-level input voltage	V_{IL}		$V_{CC} = 4.5\text{ V}$	-	-	1.35	V
			$V_{CC} = 6.0\text{ V}$	-	-	1.8	V
			$V_{CC} = 9.0\text{ V}$	-	-	2.7	V
input leakage current	I_I	$V_{EE} = 0\text{ V};$ $V_I = V_{CC} \text{ or } GND$	$V_{CC} = 6.0\text{ V}$	-	-	± 1.0	μA
			$V_{CC} = 9.0\text{ V}$	-	-	± 2.0	μA
OFF-state leakage current	$I_{S(OFF)}$	$V_{CC} = 9.0\text{ V};$ $V_{EE} = 0\text{ V};$ $V_I = V_{IH} \text{ or } V_{IL};$ $ V_{SW} = V_{CC} - V_{EE};$ see Figure 7	per channel	-	-	± 1.0	μA
			all channels	-	-	± 4.0	μA
ON-state leakage current	$I_{S(ON)}$	$V_I = V_{IH} \text{ or } V_{IL};$ $ V_{SW} = V_{CC} - V_{EE}; V_{CC} = 9.0\text{ V};$ $V_{EE} = 0\text{ V};$ see Figure 8		-	-	± 4.0	μA
supply current	I_{CC}	$V_{EE} = 0\text{ V};$ $V_I = V_{CC} \text{ or } GND;$ $V_{is} = V_{EE} \text{ or } V_{CC};$ $V_{os} = V_{CC} \text{ or } V_{EE}$	$V_{CC} = 6.0\text{ V}$	-	-	80.0	μA
			$V_{CC} = 9.0\text{ V}$	-	-	160.0	μA
input capacitance	C_I	-		-	-	-	pF
switch capacitance	C_{SW}	independent pins Yn		-	-	-	pF
		common pins Z		-	-	-	pF
AiP74HCT4051							
HIGH-level input voltage	V_{IH}	$V_{CC} = 4.5\text{ V to } 5.5\text{ V}$		2.0	-	-	V
LOW-level input voltage	V_{IL}	$V_{CC} = 4.5\text{ V to } 5.5\text{ V}$		-	-	0.8	V



input leakage current	I_I	$V_I = V_{CC}$ or GND; $V_{CC} = 5.5$ V; $V_{EE} = 0$ V	-	-	± 1.0	μ A	
OFF-state leakage current	$I_{S(OFF)}$	$V_{CC} = 9.0$ V; $V_{EE} = 0$ V; $V_I = V_{IH}$ or V_{IL} ; $ V_{SW} = V_{CC} - V_{EE}$; see Figure 7	per channel	-	-	± 1.0	μ A
			all channels	-	-	± 4.0	μ A
ON-state leakage current	$I_{S(ON)}$	$V_{CC} = 9.0$ V; $V_{EE} = 0$ V; $V_I = V_{IH}$ or V_{IL} ; $ V_{SW} = V_{CC} - V_{EE}$; see Figure 8	-	-	± 4.0	μ A	
supply current	I_{CC}	$V_I = V_{CC}$ or GND; $V_{is} = V_{EE}$ or V_{CC} ; $V_{os} = V_{CC}$ or V_{EE}	$V_{CC} = 5.5$ V; $V_{EE} = 0$ V	-	-	80.0	μ A
			$V_{CC} = 4.5$ V; $V_{EE} = -4.5$ V	-	-	160	μ A
additional supply current	ΔI_{CC}	per input; $V_I = V_{CC} - 2.1$ V; other inputs at V_{CC} or GND; $V_{CC} = 4.5$ V to 5.5 V; $V_{EE} = 0$ V	-	-	225	μ A	
input capacitance	C_I	-	-	-	-	pF	
switch capacitance	C_{SW}	independent pins Yn	-	-	-	pF	
		common pins Z	-	-	-	pF	

Note:

[1] $V_I = V_{IH}$ or V_{IL} ; for test circuit see Figure 5.

[2] V_{is} is the input voltage at a Yn or Z terminal, whichever is assigned as an input.

[3] V_{os} is the output voltage at a Yn or Z terminal, whichever is assigned as an output.

3.3.3. AC Characteristics 1

($T_{amb} = 25^\circ\text{C}$, GND = 0 V; $t_r = t_f = 6$ ns; $C_L = 50$ pF; unless otherwise specified.)

Parameter	Symbol	Conditions	Min.	Typ.	Max.	Unit	
AiP74HC4051							
propagation delay	t_{pd}	V_{is} to V_{os} ; $R_L = \infty \Omega$; see Figure 9 ^[1]	$V_{CC} = 4.5$ V; $V_{EE} = 0$ V	-	5	12	ns
			$V_{CC} = 6.0$ V; $V_{EE} = 0$ V	-	4	10	ns
			$V_{CC} = 4.5$ V; $V_{EE} = -4.5$ V	-	4	8	ns
turn-on time	t_{on}	\bar{E} to V_{os} ; $R_L = \infty \Omega$; see Figure 10 ^[2]	$V_{CC} = 4.5$ V; $V_{EE} = 0$ V	-	29	69	ns
			$V_{CC} = 5.0$ V; $V_{EE} = 0$ V; $C_L = 15$ pF	-	22	-	ns
			$V_{CC} = 6.0$ V; $V_{EE} = 0$ V	-	21	59	ns



			$V_{CC} = 4.5\text{ V};$ $V_{EE} = -4.5\text{ V}$	-	18	51	ns	
		Sn to V_{os} ; $R_L = \infty\ \Omega$; see Figure 10 ^[2]	$V_{CC} = 4.5\text{ V};$ $V_{EE} = 0\text{ V}$	-	28	69	ns	
			$V_{CC} = 5.0\text{ V};$ $V_{EE} = 0\text{ V};$ $C_L = 15\text{ pF}$	-	20	-	ns	
			$V_{CC} = 6.0\text{ V};$ $V_{EE} = 0\text{ V}$	-	19	59	ns	
			$V_{CC} = 4.5\text{ V};$ $V_{EE} = -4.5\text{ V}$	-	16	51	ns	
turn-off time	t_{off}	\bar{E} to V_{os} ; $R_L = 1\text{ k}\Omega$; see Figure 10 ^[3]	$V_{CC} = 4.5\text{ V};$ $V_{EE} = 0\text{ V}$	-	31	58	ns	
			$V_{CC} = 5.0\text{ V};$ $V_{EE} = 0\text{ V};$ $C_L = 15\text{ pF}$	-	18	-	ns	
			$V_{CC} = 6.0\text{ V};$ $V_{EE} = 0\text{ V}$	-	17	49	ns	
			$V_{CC} = 4.5\text{ V};$ $V_{EE} = -4.5\text{ V}$	-	18	42	ns	
		Sn to V_{os} ; $R_L = 1\text{ k}\Omega$; see Figure 10 ^[3]	$V_{CC} = 4.5\text{ V};$ $V_{EE} = 0\text{ V}$	-	25	58	ns	
			$V_{CC} = 5.0\text{ V};$ $V_{EE} = 0\text{ V};$ $C_L = 15\text{ pF}$	-	19	-	ns	
			$V_{CC} = 6.0\text{ V};$ $V_{EE} = 0\text{ V}$	-	18	49	ns	
			$V_{CC} = 4.5\text{ V};$ $V_{EE} = -4.5\text{ V}$	-	18	42	ns	
power dissipation capacitance	C_{PD}	per switch; $V_I = \text{GND to } V_{CC}$ ^[4]		-	25	-	pF	
AiP74HCT4051								
propagation delay	t_{pd}	V_{is} to V_{os} ; $R_L = \infty\ \Omega$; see Figure 9 ^[1]	$V_{CC} = 4.5\text{ V};$ $V_{EE} = 0\text{ V}$	-	5	12	ns	
			$V_{CC} = 4.5\text{ V};$ $V_{EE} = -4.5\text{ V}$	-	4	8	ns	
turn-on time	t_{on}	\bar{E} to V_{os} ; $R_L = \infty\ \Omega$; see Figure 10 ^[2]	$V_{CC} = 4.5\text{ V};$ $V_{EE} = 0\text{ V}$	-	26	55	ns	
			$V_{CC} = 5.0\text{ V};$ $V_{EE} = 0\text{ V};$ $C_L = 15\text{ pF}$	-	22	-	ns	
			$V_{CC} = 4.5\text{ V};$	-	16	39	ns	



			$V_{EE} = -4.5\text{ V}$				
		Sn to V_{os} ; $R_L = \infty\ \Omega$; see Figure 10 ^[2]	$V_{CC} = 4.5\text{ V};$ $V_{EE} = 0\text{ V}$	-	28	55	ns
			$V_{CC} = 5.0\text{ V};$ $V_{EE} = 0\text{ V};$ $C_L = 15\text{ pF}$	-	24	-	ns
			$V_{CC} = 4.5\text{ V};$ $V_{EE} = -4.5\text{ V}$	-	16	39	ns
turn-off time	t_{off}	\bar{E} to V_{os} ; $R_L = 1\text{ k}\Omega$; see Figure 10 ^[3]	$V_{CC} = 4.5\text{ V};$ $V_{EE} = 0\text{ V}$	-	19	45	ns
			$V_{CC} = 5.0\text{ V};$ $V_{EE} = 0\text{ V};$ $C_L = 15\text{ pF}$	-	16	-	ns
			$V_{CC} = 4.5\text{ V};$ $V_{EE} = -4.5\text{ V}$	-	16	32	ns
		Sn to V_{os} ; $R_L = 1\text{ k}\Omega$; see Figure 10 ^[3]	$V_{CC} = 4.5\text{ V};$ $V_{EE} = 0\text{ V}$	-	23	45	ns
			$V_{CC} = 5.0\text{ V};$ $V_{EE} = 0\text{ V};$ $C_L = 15\text{ pF}$	-	20	-	ns
			$V_{CC} = 4.5\text{ V};$ $V_{EE} = -4.5\text{ V}$	-	16	32	ns
power dissipation capacitance	C_{PD}	per switch; $V_I = \text{GND to } V_{CC} - 1.5\text{V}$ ^[4]	-	25	-	pF	

Note:

[1] t_{pd} is the same as t_{PHL} and t_{PLH} .

[2] t_{on} is the same as t_{PZH} and t_{PZL} .

[3] t_{off} is the same as t_{PHZ} and t_{PLZ} .

[4] C_{PD} is used to determine the dynamic power dissipation (P_D in uW).

$$P_D = C_{PD} \times V_{CC}^2 \times f_i \times N + \Sigma\{(C_L + C_{SW}) \times V_{CC}^2 \times f_o\} \text{ where:}$$

f_i = input frequency in MHz;

f_o = output frequency in MHz;

N = number of inputs switching;

$\Sigma\{(C_L + C_{SW}) \times V_{CC}^2 \times f_o\}$ = sum of outputs;

C_L = output load capacitance in pF;

C_{SW} = switch capacitance in pF;

V_{CC} = supply voltage in V.

[5] For test circuit see Figure 11.

[6] V_{is} is the input voltage at a Yn or Z terminal, whichever is assigned as an input.

[7] V_{os} is the output voltage at a Yn or Z terminal, whichever is assigned as an output.



3.3.4、AC Characteristics 2

($T_{amb} = -40^{\circ}\text{C} \sim +85^{\circ}\text{C}$; $GND = 0\text{ V}$; $t_r = t_f = 6\text{ ns}$; $C_L = 50\text{ pF}$; unless otherwise specified.)

Parameter	Symbol	Conditions	Min.	Typ.	Max.	Unit	
AiP74HC4051							
propagation delay	t_{pd}	V_{is} to V_{os} ; $R_L = \infty \Omega$; see Figure 9 ^[1]	$V_{CC} = 4.5\text{ V}$; $V_{EE} = 0\text{ V}$	-	-	15	ns
			$V_{CC} = 6.0\text{ V}$; $V_{EE} = 0\text{ V}$	-	-	13	ns
			$V_{CC} = 4.5\text{ V}$; $V_{EE} = -4.5\text{ V}$	-	-	10	ns
turn-on time	t_{on}	\bar{E} to V_{os} ; $R_L = \infty \Omega$; see Figure 10 ^[2]	$V_{CC} = 4.5\text{ V}$; $V_{EE} = 0\text{ V}$	-	-	86	ns
			$V_{CC} = 6.0\text{ V}$; $V_{EE} = 0\text{ V}$	-	-	73	ns
			$V_{CC} = 4.5\text{ V}$; $V_{EE} = -4.5\text{ V}$	-	-	64	ns
		Sn to V_{os} ; $R_L = \infty \Omega$; see Figure 10 ^[2]	$V_{CC} = 4.5\text{ V}$; $V_{EE} = 0\text{ V}$	-	-	86	ns
			$V_{CC} = 6.0\text{ V}$; $V_{EE} = 0\text{ V}$	-	-	73	ns
			$V_{CC} = 4.5\text{ V}$; $V_{EE} = -4.5\text{ V}$	-	-	64	ns
turn-off time	t_{off}	\bar{E} to V_{os} ; $R_L = 1\text{ k}\Omega$; see Figure 10 ^[3]	$V_{CC} = 4.5\text{ V}$; $V_{EE} = 0\text{ V}$	-	-	73	ns
			$V_{CC} = 6.0\text{ V}$; $V_{EE} = 0\text{ V}$	-	-	62	ns
			$V_{CC} = 4.5\text{ V}$; $V_{EE} = -4.5\text{ V}$	-	-	53	ns
		Sn to V_{os} ; $R_L = 1\text{ k}\Omega$; see Figure 10 ^[3]	$V_{CC} = 4.5\text{ V}$; $V_{EE} = 0\text{ V}$	-	-	73	ns
			$V_{CC} = 6.0\text{ V}$; $V_{EE} = 0\text{ V}$	-	-	62	ns
			$V_{CC} = 4.5\text{ V}$; $V_{EE} = -4.5\text{ V}$	-	-	53	ns
power dissipation capacitance	C_{PD}	per switch; $V_I = GND$ to V_{CC} ^[4]	-	-	-	pF	
AiP74HCT4051							
propagation delay	t_{pd}	V_{is} to V_{os} ; $R_L = \infty \Omega$; see Figure 9 ^[1]	$V_{CC} = 4.5\text{ V}$; $V_{EE} = 0\text{ V}$	-	-	15	ns
			$V_{CC} = 4.5\text{ V}$; $V_{EE} = -4.5\text{ V}$	-	-	10	ns
turn-on time	t_{on}	\bar{E} to V_{os} ;	$V_{CC} = 4.5\text{ V}$;	-	-	69	ns



		$R_L = \infty \Omega$; see Figure 10 ^[2]	$V_{EE} = 0 V$				
			$V_{CC} = 4.5 V$; $V_{EE} = -4.5 V$	-	-	49	ns
		Sn to V_{os} ; $R_L = \infty \Omega$; see Figure 10 ^[2]	$V_{CC} = 4.5 V$; $V_{EE} = 0 V$	-	-	69	ns
			$V_{CC} = 4.5 V$; $V_{EE} = -4.5 V$	-	-	49	ns
turn-off time	t_{off}	\bar{E} to V_{os} ; $R_L = 1 k\Omega$; see Figure 10 ^[3]	$V_{CC} = 4.5 V$; $V_{EE} = 0 V$	-	-	56	ns
			$V_{CC} = 4.5 V$; $V_{EE} = -4.5 V$	-	-	40	ns
		Sn to V_{os} ; $R_L = 1 k\Omega$; see Figure 10 ^[3]	$V_{CC} = 4.5 V$; $V_{EE} = 0 V$	-	-	56	ns
			$V_{CC} = 4.5 V$; $V_{EE} = -4.5 V$	-	-	40	ns
power dissipation capacitance	C_{PD}	per switch; $V_I = GND$ to $V_{CC} - 1.5V$ ^[4]	-	-	-	pF	

Note:

[1] t_{pd} is the same as t_{PHL} and t_{PLH} .

[2] t_{on} is the same as t_{PZH} and t_{PZL} .

[3] t_{off} is the same as t_{PHZ} and t_{PLZ} .

[4] C_{PD} is used to determine the dynamic power dissipation (P_D in uW).

$$P_D = C_{PD} \times V_{CC}^2 \times f_i \times N + \Sigma \{ (C_L + C_{SW}) \times V_{CC}^2 \times f_o \} \text{ where:}$$

f_i = input frequency in MHz;

f_o = output frequency in MHz;

N = number of inputs switching;

$\Sigma \{ (C_L + C_{SW}) \times V_{CC}^2 \times f_o \}$ = sum of outputs;

C_L = output load capacitance in pF;

C_{SW} = switch capacitance in pF;

V_{CC} = supply voltage in V.

[5] For test circuit see Figure 11.

[6] V_{is} is the input voltage at a Yn or Z terminal, whichever is assigned as an input.

[7] V_{os} is the output voltage at a Yn or Z terminal, whichever is assigned as an output.



3.3.5、AC Characteristics 3

($T_{amb} = 25^{\circ}\text{C}$; $\text{GND} = 0\text{V}$; $C_L = 50\text{pF}$; recommended conditions and typical values.)

Parameter	Symbol	Conditions	Min.	Typ.	Max.	Unit	
sine-wave distortion	d_{sin}	$f_i = 1 \text{ kHz}$; $R_L = 10 \text{ k}\Omega$; see Figure 12	$V_{\text{is}} = 4.0 \text{ V (p-p)}$; $V_{\text{CC}} = 2.25 \text{ V}$; $V_{\text{EE}} = -2.25 \text{ V}$	-	0.04	-	%
			$V_{\text{is}} = 8.0 \text{ V (p-p)}$; $V_{\text{CC}} = 4.5 \text{ V}$; $V_{\text{EE}} = -4.5 \text{ V}$	-	0.02	-	%
		$f_i = 10 \text{ kHz}$; $R_L = 10 \text{ k}\Omega$; see Figure 12	$V_{\text{is}} = 4.0 \text{ V (p-p)}$; $V_{\text{CC}} = 2.25 \text{ V}$; $V_{\text{EE}} = -2.25 \text{ V}$	-	0.12	-	%
			$V_{\text{is}} = 8.0 \text{ V (p-p)}$; $V_{\text{CC}} = 4.5 \text{ V}$; $V_{\text{EE}} = -4.5 \text{ V}$	-	0.06	-	%
isolation (OFF-state)	α_{iso}	$R_L = 600 \Omega$; $f_i = 1 \text{ MHz}$; see Figure 13	$V_{\text{CC}} = 2.25 \text{ V}$; ^[1] $V_{\text{EE}} = -2.25 \text{ V}$	-	-50	-	dB
			$V_{\text{CC}} = 4.5 \text{ V}$; ^[1] $V_{\text{EE}} = -4.5 \text{ V}$	-	-50	-	dB
crosstalk voltage	V_{ct}	peak-to-peak value; between control and any switch; $R_L = 600 \Omega$; $f_i =$ 1 MHz ; \bar{E} or Sn square wave between V_{CC} and GND; $t_r = t_f = 6 \text{ ns}$; see Figure 14	$V_{\text{CC}} = 4.5 \text{ V}$; $V_{\text{EE}} = 0 \text{ V}$	-	110	-	mV
			$V_{\text{CC}} = 4.5 \text{ V}$; $V_{\text{EE}} = -4.5 \text{ V}$	-	220	-	mV
-3dB frequency response	$f_{(-3\text{dB})}$	$R_L = 50 \Omega$; see Figure 15	$V_{\text{CC}} = 2.25 \text{ V}$; ^[2] $V_{\text{EE}} = -2.25 \text{ V}$	-	170	-	MHz
			$V_{\text{CC}} = 4.5 \text{ V}$; ^[2] $V_{\text{EE}} = -4.5 \text{ V}$	-	180	-	MHz

Note:

[1] Adjust input voltage V_{is} to 0 dBm level (0 dBm = 1 mW into 600 Ω).

[2] Adjust input voltage V_{is} to 0 dBm level at V_{os} for 1 MHz (0 dBm = 1 mW into 50 Ω).

[3] V_{is} is the input voltage at a Yn or Z terminal, whichever is assigned as an input.

[4] V_{os} is the output voltage at a Yn or Z terminal, whichever is assigned as an output.



4、Testing Circuit

4.1、DC Testing Circuit 1

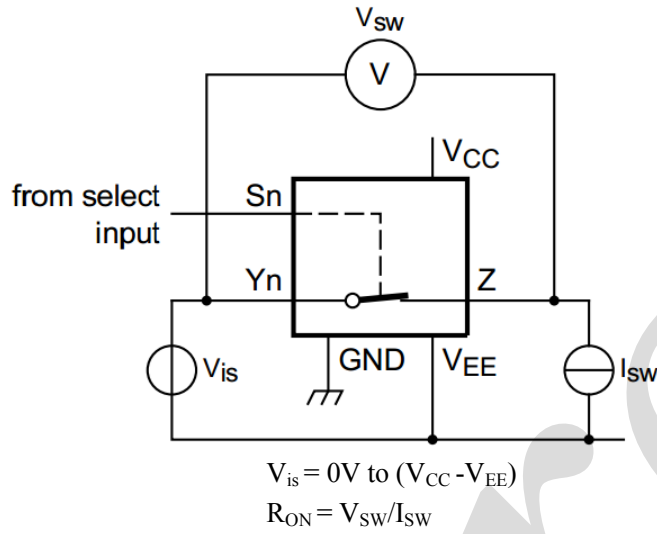
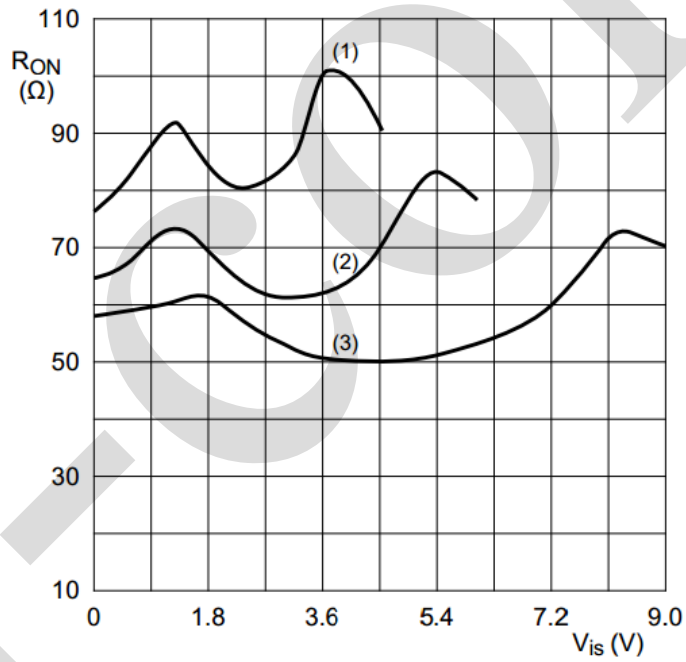


Figure 5. Test circuit for measuring R_{ON}



$V_{is} = 0V \text{ to } (V_{CC} - V_{EE})$
(1) $V_{CC} = 4.5V$
(2) $V_{CC} = 6V$
(3) $V_{CC} = 9V$

Figure 6. Typical R_{ON} as a function of input voltage V_{is}



4.2、DC Testing Circuit 2

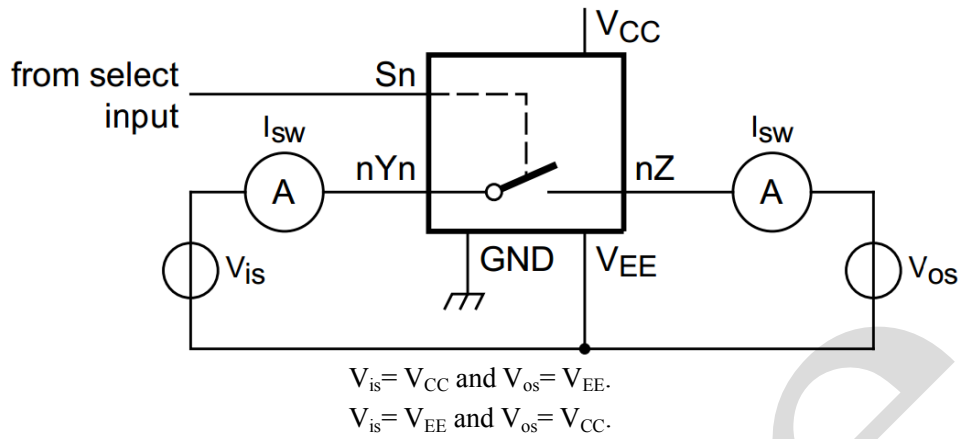


Figure 7. Test circuit for measuring OFF-state current

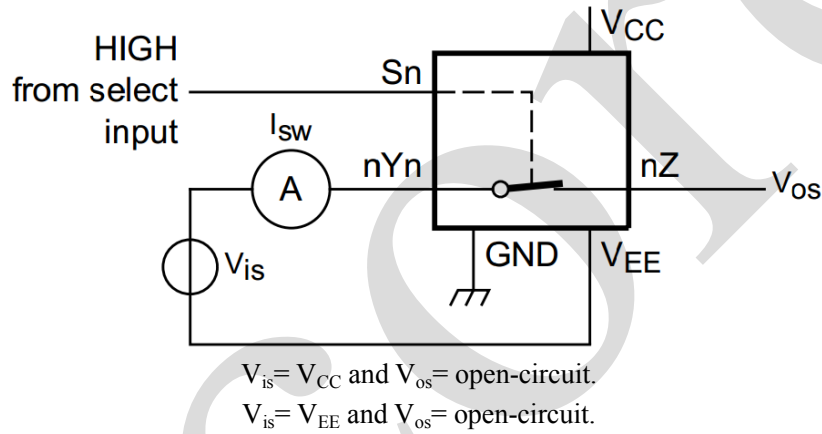


Figure 8. Test circuit for measuring ON-state current

4.3、AC Testing Waveforms

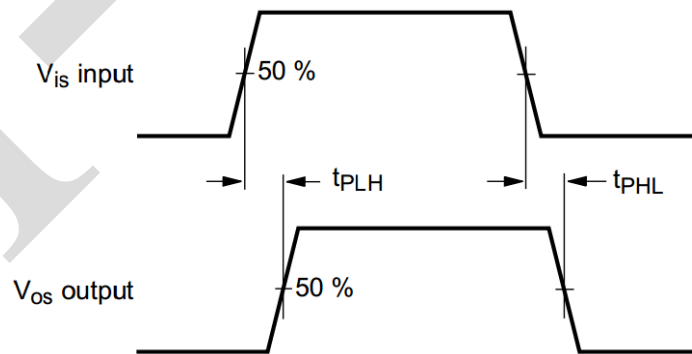


Figure 9. Input (V_{is}) to output (V_{os}) propagation delays

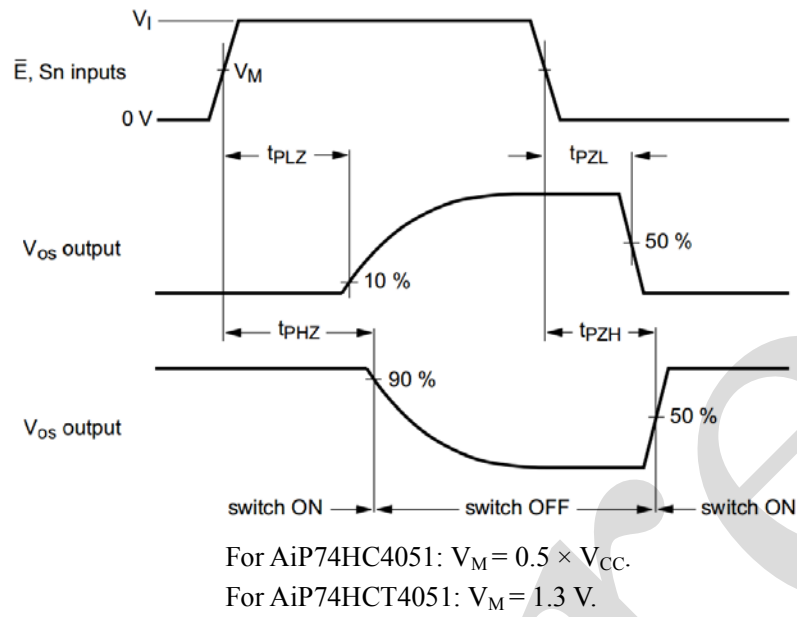


Figure 10. Turn-on and turn-off times

4.4. AC Testing Circuit 1

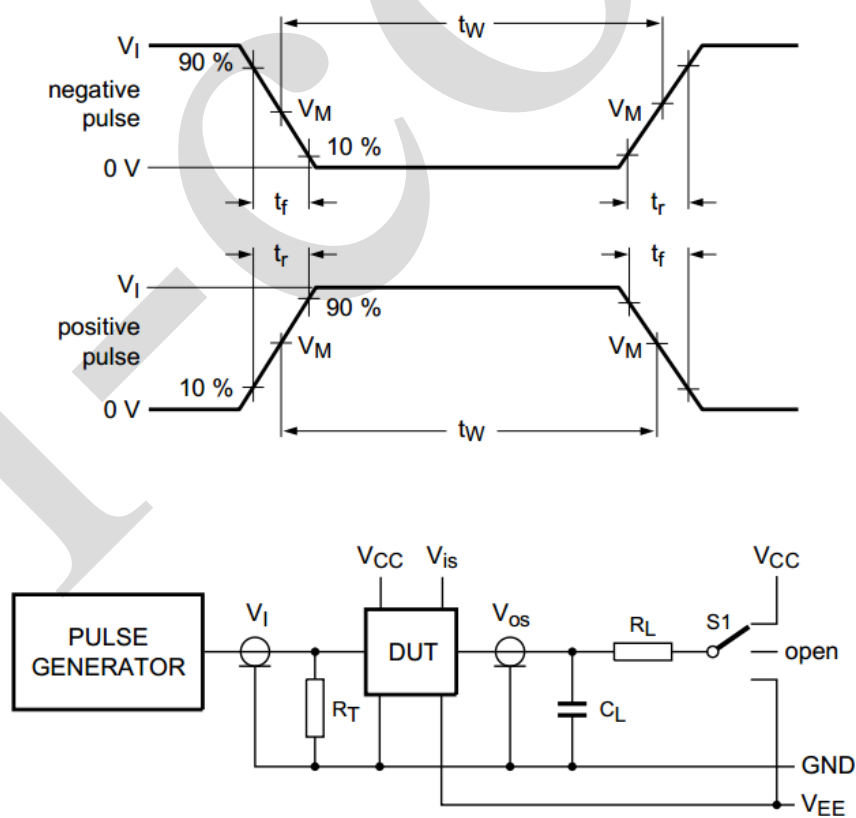


Figure 11. Test circuit for measuring switching times



Definitions for test circuit:

R_T = termination resistance should be equal to the output impedance Z_O of the pulse generator.

C_L = load capacitance including jig and probe capacitance.

R_L = load resistance.

S1 = Test selection switch.

4.5、 Test Data

Test	Input				Load		S1 position
	V_I	V_{is}	t_r, t_f		C_L	R_L	
			at f_{max}	other ^[1]			
t_{PHL}, t_{PLH}	[2]	pulse	< 2ns	6ns	50pF	1k Ω	open
t_{PZH}, t_{PHZ}	[2]	V_{CC}	< 2ns	6ns	50pF	1k Ω	V_{EE}
t_{PZL}, t_{PLZ}	[2]	V_{EE}	< 2ns	6ns	50pF	1k Ω	V_{CC}

Note:

[1] $t_r = t_f = 6$ ns; when measuring f_{max} , there is no constraint to t_r and t_f with 50 % duty factor.

[2] V_I values:

For AiP74HC4051: $V_I = V_{CC}$.

For AiP74HCT4051: $V_I = 3V$.

4.6、 AC Testing Circuit 2

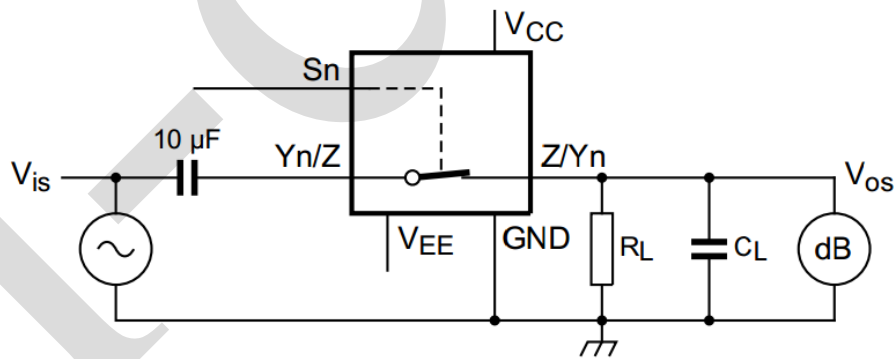
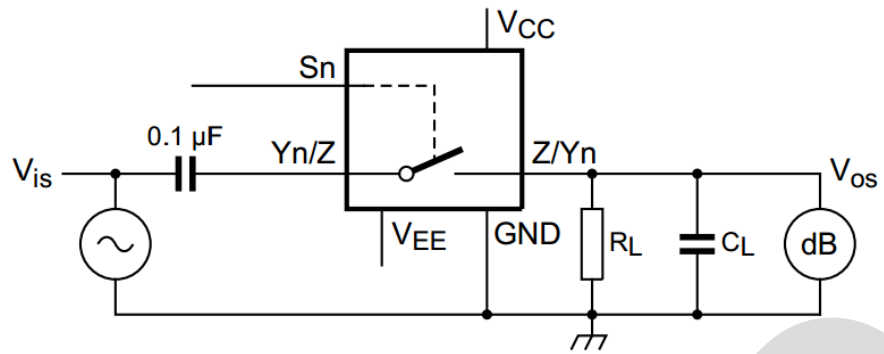
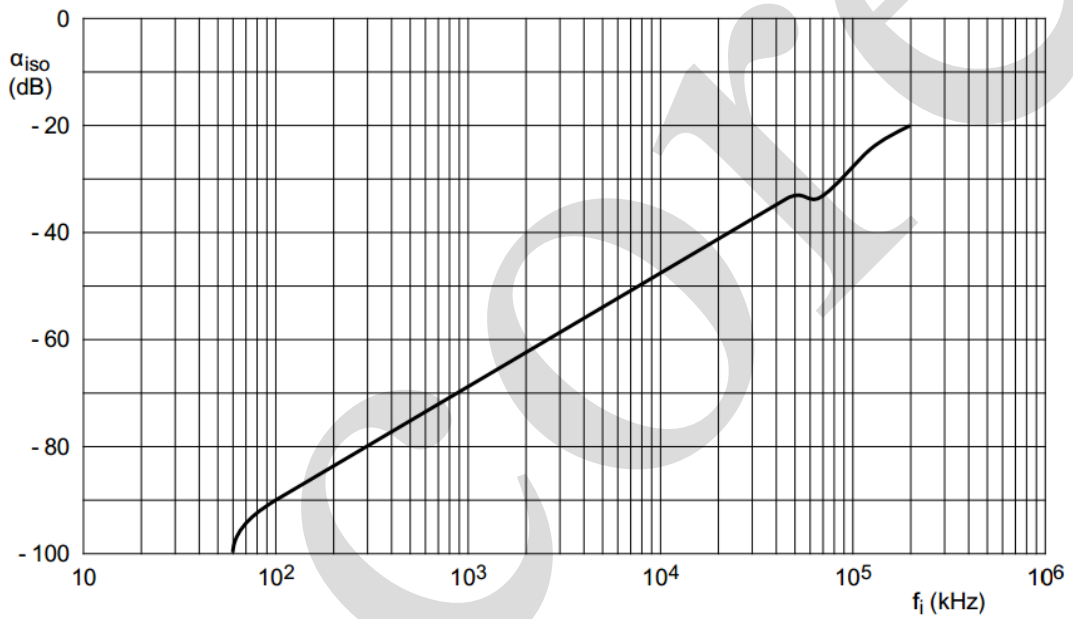


Figure 12. Test circuit for measuring sine-wave distortion



$V_{CC} = 4.5\text{ V}; GND = 0\text{ V}; V_{EE} = -4.5\text{ V}; R_L = 600\ \Omega; R_S = 1\text{ k}\Omega.$

a. Test circuit



b. Isolation (OFF-state) as a function of frequency

Figure 13. Test circuit for measuring isolation (OFF-state)

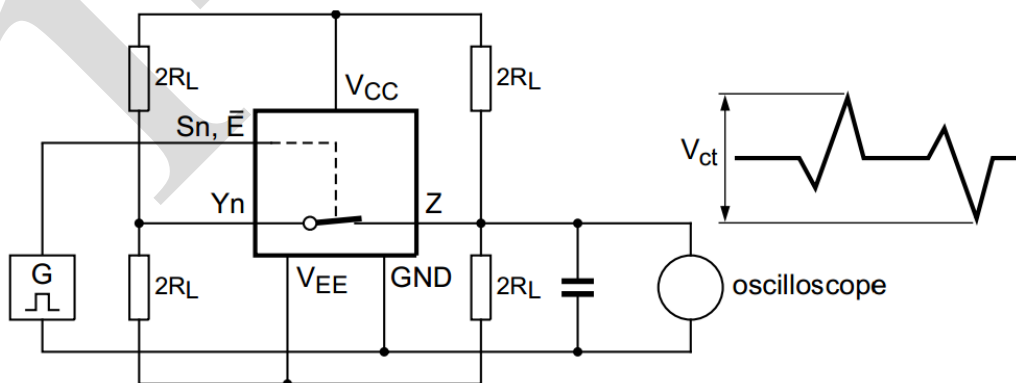
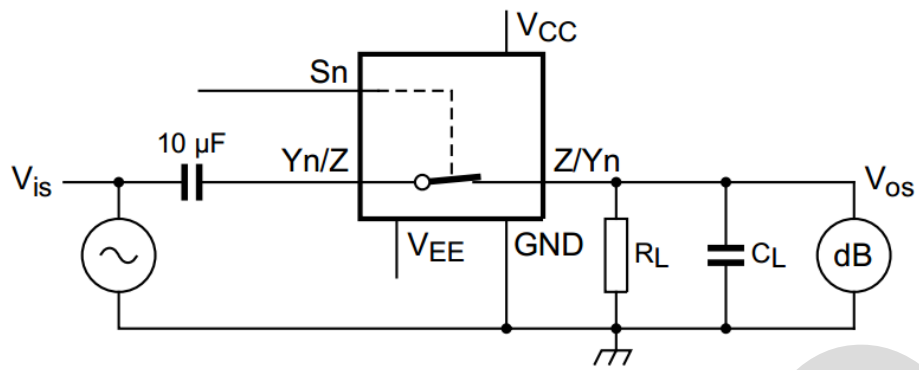
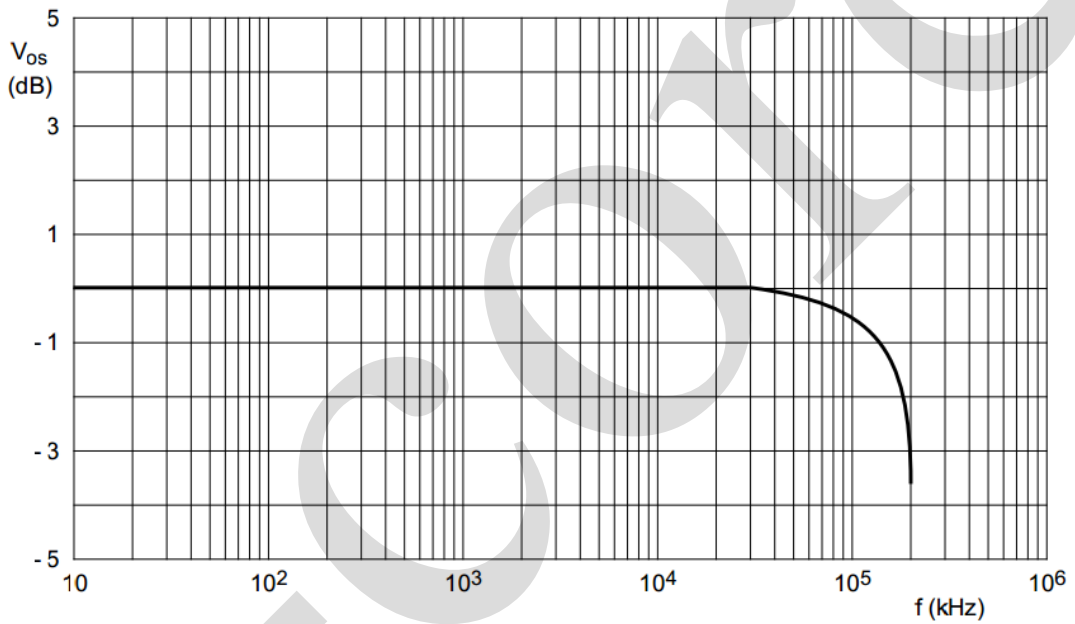


Figure 14. Test circuit for measuring crosstalk between control input and any switch



$V_{CC} = 4.5 \text{ V}; GND = 0 \text{ V}; V_{EE} = -4.5 \text{ V}; R_L = 50 \Omega; R_S = 1 \text{ k}\Omega$

a. Test circuit



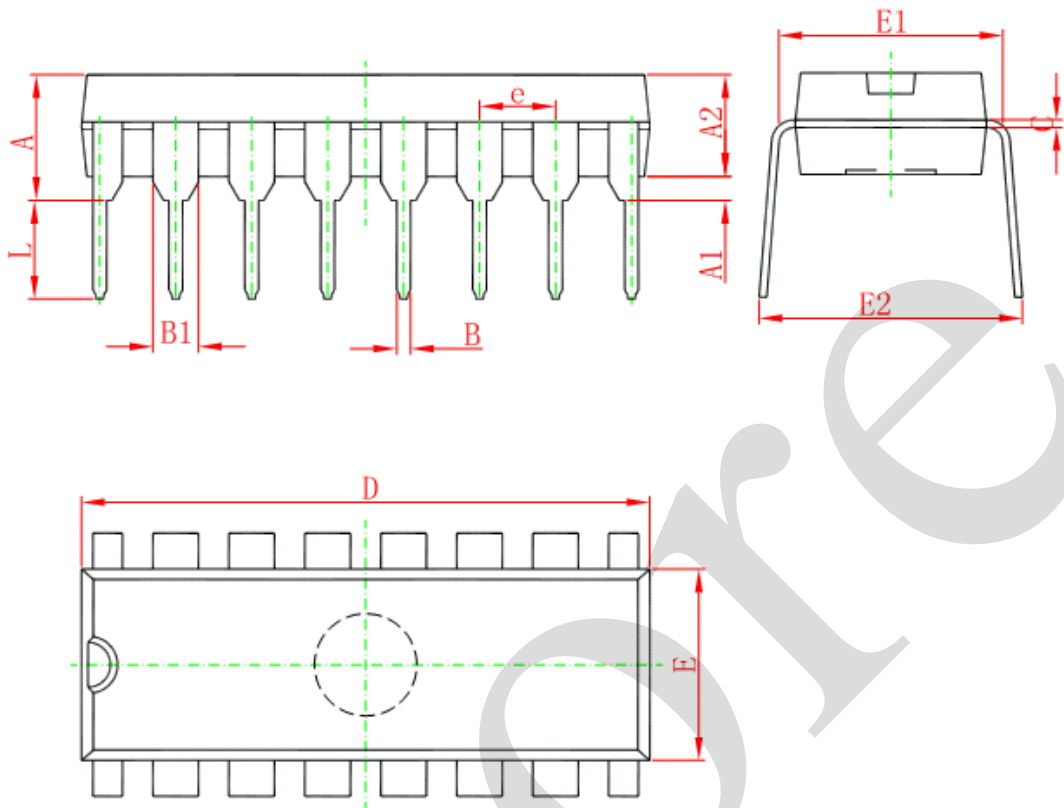
b. Typical frequency response

Figure 15. Test circuit for frequency response



5、Package Information

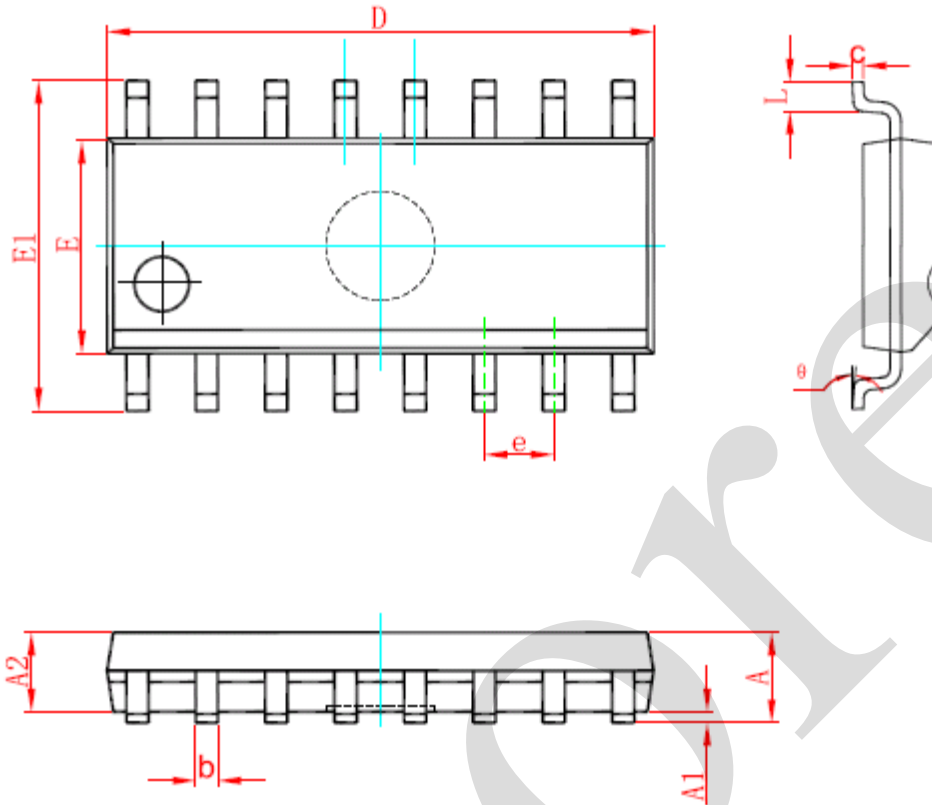
5.1、DIP16



Symbol	Dimensions In Millimeters		Dimensions In Inches	
	Min	Max	Min	Max
A	3.710	4.310	0.146	0.170
A1	0.510		0.020	
A2	3.200	3.600	0.126	0.142
B	0.380	0.570	0.015	0.022
B1	1.524 (BSC)		0.060 (BSC)	
C	0.204	0.360	0.008	0.014
D	18.800	19.200	0.740	0.756
E	6.200	6.600	0.244	0.260
E1	7.320	7.920	0.288	0.312
e	2.540 (BSC)		0.100 (BSC)	
L	3.000	3.600	0.118	0.142
E2	8.400	9.000	0.331	0.354



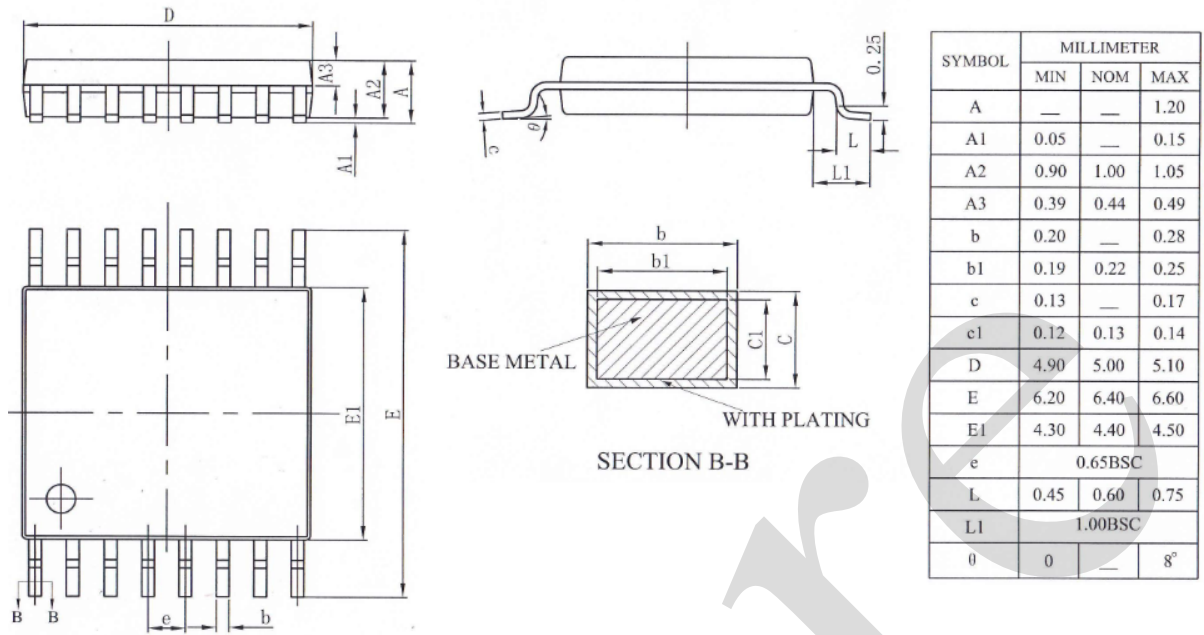
5.2、SOP16



Symbol	Dimensions In Millimeters		Dimensions In Inches	
	Min	Max	Min	Max
A	1.350	1.750	0.053	0.069
A1	0.100	0.250	0.004	0.010
A2	1.350	1.550	0.053	0.061
b	0.330	0.510	0.013	0.020
c	0.170	0.250	0.007	0.010
D	9.800	10.200	0.386	0.402
E	3.800	4.000	0.150	0.157
E1	5.800	6.200	0.228	0.244
e	1.270 (BSC)		0.050 (BSC)	
L	0.400	1.270	0.016	0.050
θ	0°	8°	0°	8°

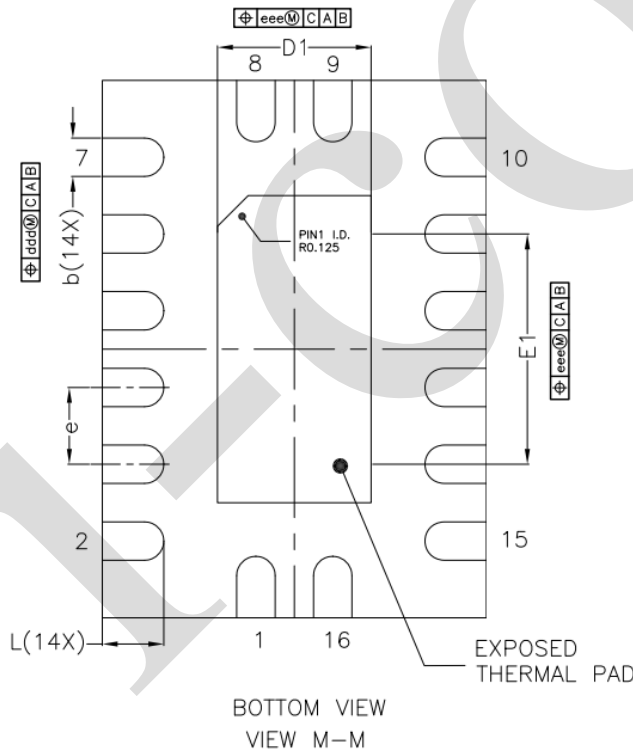
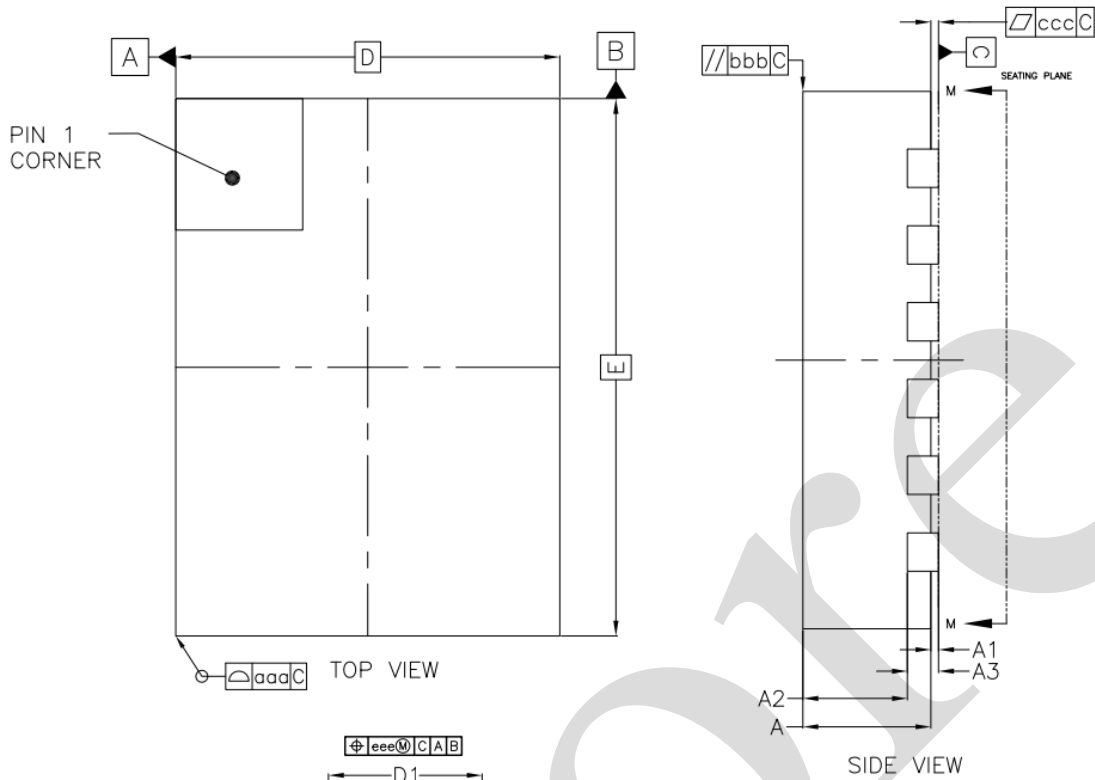


5.3、TSSOP16





5.4. DHVQFN16



DESCRIPTION	SYMBOL	MILLIMETER			
		MIN	NOM	MAX	
TOTAL THICKNESS	A	0.80	0.85	1.00	
STAND OFF	A1	0.00	--	0.05	
MOLD THICKNESS	A2	0.60	0.65	0.70	
L/F THICKNESS	A3	0.203 REF			
BODY SIZE	X	D	2.40	2.50	2.60
	Y	E	3.40	3.50	3.60
LEAD PITCH	e	0.50 BSC			
LEAD WIDTH	b	0.18	0.25	0.30	
LEAD LENGTH	L	0.30	0.40	0.50	
EP SIZE	D1	0.85	1.00	1.15	
	E1	1.85	2.00	2.15	
Tolerance of form and position					
PKG EDGE TOLERANCE	aaa	0.1			
MOLD FLATNESS	bbb	0.1			
COPLANARITY	ccc	0.05			
LEAD OFFSET	ddd	0.1			
EXPOSED PAD OFFSET	eee	0.1			

NOTES

1.0 COPLANARITY APPLIES TO LEADS, CORNER LEADS AND DIE ATTACH PAD.



6、 Statements And Notes

6.1、 The name and content of Hazardous substances or Elements in the product

Part name	Hazardous substances or Elements									
	Lead and lead compounds	Mercury and mercury compounds	Cadmium and cadmium compounds	Hexavalent chromium compounds	Polybrominated biphenyls	Polybrominated biphenyl ethers	Dibutyl phthalate	Butylbenzyl phthalate	Di-2-ethylhexyl phthalate	Diisobutyl phthalate
Lead frame	○	○	○	○	○	○	○	○	○	○
Plastic resin	○	○	○	○	○	○	○	○	○	○
Chip	○	○	○	○	○	○	○	○	○	○
The lead	○	○	○	○	○	○	○	○	○	○
Plastic sheet installed	○	○	○	○	○	○	○	○	○	○
explanation	○: Indicates that the content of hazardous substances or elements in the detection limit of the following the SJ/T11363-2006 standard. ×: Indicates that the content of hazardous substances or elements exceeding the SJ/T11363-2006 Standard limit requirements.									

6.2、 Notion

Recommended carefully reading this information before the use of this product;

The information in this document are subject to change without notice;

This information is using to the reference only, the company is not responsible for any loss;

The company is not responsible for the any infringement of the third party patents or other rights of the responsibility.

X-ON Electronics

Largest Supplier of Electrical and Electronic Components

Click to view similar products for [Analogue Switch ICs](#) category:

Click to view products by [I-core](#) manufacturer:

Other Similar products are found below :

[FSA3051TMX](#) [NLAS4684FCTCG](#) [NLVAS4599DTT1G](#) [NLX2G66DMUTCG](#) [425541DB](#) [425528R](#) [099044FB](#) [MAX4762ETB+](#)
[NLAS5123MNR2G](#) [PI5A4157CEX](#) [PI5A4599BCEX](#) [NLAS4717EPFCT1G](#) [PI5A3167CCEX](#) [DG4051EEN-T1-GE4](#) [SLAS3158MNR2G](#)
[PI5A392AQEX](#) [PI5A392AQE](#) [FSA634UCX](#) [NX3L1T5157GMZ](#) [ADG714BCPZ-REEL7](#) [HT4051ARZ](#) [BL1551B](#) [BCT4227EMB-TR](#)
[SN74LVC1G3157DBVR](#) [SN74LVC1G3157DCKR](#) [ET3157](#) [WSP6582C-12/TR](#) [AIP74LVC1G157GC363.TR](#) [AiP74HC4066TA14.TR](#)
[AIP74HC4052SA16.TR](#) [GS3157-CR](#) [74HC4051](#) [U7SB3157G-SM2-R](#) [CD4051](#) [SGM330A-YS/TR](#) [AIP4052TA16.TR](#) [RS2253XTSS16](#)
[NJG1815K75-TE1](#) [BL2556ACB5TR](#) [UM7222](#) [TC4066BP\(N,F\)](#) [TMUX136RSER](#) [DG302BDJ-E3](#) [PI5A100QEX](#) [HV2733FG-G](#) [HV2701FG-](#)
[G](#) [HV2301FG-G](#) [HV2301FG-G-M931](#) [RS2117YUTQK10](#) [RS2118YUTQK10](#)