



AiP74HC/HCT238

3-to-8 Line Decoder/Demultiplexer

Product Specification

Specification Revision History:

Version	Date	Description
2019-06-A1	2019-06	New
2021-12-A2	2021-12	Modify Ordering Information
2022-01-A3	2022-01	Modify ambient temperature to -40°C~+105°C and add electrical characteristics of -40°C~+105°C



1、 General Description

The AiP74HC/HCT238 decodes three binary weighted address inputs (A0, A1 and A2) to eight mutually exclusive outputs (Y0 to Y7). The device features three enable inputs ($\bar{E}1$ and $\bar{E}2$ and E3). Every output will be LOW unless $\bar{E}1$ and $\bar{E}2$ are LOW and E3 is HIGH. This multiple enable function allows easy parallel expansion to a 1-of-32 (5 to 32 lines) decoder with just four AiP74HC/HCT238 ICs and one inverter. The AiP74HC/HCT238 can be used as an eight output demultiplexer by using one of the active LOW enable inputs as the data input and the remaining enable inputs as strobes. Inputs include clamp diodes. This enables the use of current limiting resistors to interface inputs to voltages in excess of V_{CC} .

Features:

- Input levels:
 - For AiP74HC238: CMOS level
 - For AiP74HCT238: TTL level
- Demultiplexing capability
- Multiple input enable for easy expansion
- Ideal for memory chip select decoding
- Active HIGH mutually exclusive outputs
- Specified from -40°C to +105°C
- Packaging information: DIP16/SOP16/TSSOP16

**Ordering Information:****Tube packing specifications:**

Part number	Packaging form	Marking code	Tube quantity	Boxed tube quantity	Boxed quantity	Notes
AiP74HC238DA16.TB	DIP16	74HC238	25 PCS/tube	40 tube/box	1000 PCS/box	Dimensions of plastic enclosure: 19.0mm×6.4mm Pin spacing: 2.54mm
AiP74HCT238DA16.TB	DIP16	74HCT238	25 PCS/tube	40 tube/box	1000 PCS/box	Dimensions of plastic enclosure: 19.0mm×6.4mm Pin spacing: 2.54mm
AiP74HC238SA16.TB	SOP16	74HC238	50 PCS/tube	200 tube/box	10000 PCS/box	Dimensions of plastic enclosure: 10.0mm×3.9mm Pin spacing: 1.27mm
AiP74HCT238SA16.TB	SOP16	74HCT238	50 PCS/tube	200 tube/box	10000 PCS/box	Dimensions of plastic enclosure: 10.0mm×3.9mm Pin spacing: 1.27mm
AiP74HC238TA16.TB	TSSOP16	74HC238	92 PCS/tube	100 tube/box	9200 PCS/box	Dimensions of plastic enclosure: 5.0mm×4.4mm Pin spacing: 0.65mm
AiP74HCT238TA16.TB	TSSOP16	74HCT238	92 PCS/tube	100 tube/box	9200 PCS/box	Dimensions of plastic enclosure: 5.0mm×4.4mm Pin spacing: 0.65mm

**Reel packing specifications:**

Part number	Packaging form	Marking code	Reel quantity	Boxed reel quantity	Notes
AiP74HC238SA.TR	SOP16(1)	74HC238	2500 PCS/reel	5000 PCS/box	Dimensions of plastic enclosure: 10.0mm×3.9mm Pin spacing:1.27mm
AiP74HCT238SA.TR	SOP16(1)	74HCT238	2500 PCS/reel	5000 PCS/box	Dimensions of plastic enclosure: 10.0mm×3.9mm Pin spacing:1.27mm
AiP74HC238SA.TR	SOP16(2)	74HC238	2500 PCS/reel	2500 PCS/box	Dimensions of plastic enclosure: 10.0mm×3.9mm Pin spacing:1.27mm
AiP74HCT238SA.TR	SOP16(2)	74HCT238	2500 PCS/reel	2500 PCS/box	Dimensions of plastic enclosure: 10.0mm×3.9mm Pin spacing:1.27mm
AiP74HC238TA.TR	TSSOP16	74HC238	5000 PCS/reel	10000 PCS/box	Dimensions of plastic enclosure: 5.0mm×4.4mm Pin spacing:0.65mm
AiP74HCT238TA.TR	TSSOP16	74HCT238	5000 PCS/reel	10000 PCS/box	Dimensions of plastic enclosure: 5.0mm×4.4mm Pin spacing:0.65mm

Note: If the physical information is inconsistent with the ordering information, please refer to the actual product.



2、Block Diagram And Pin Description

2.1、Block Diagram

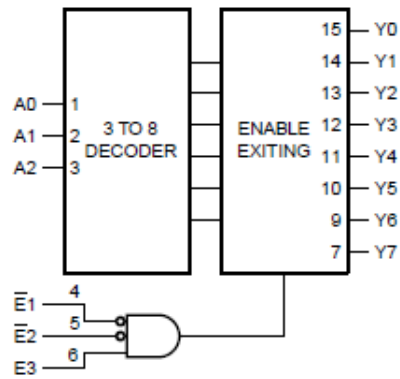


Figure 1. Logic symbol

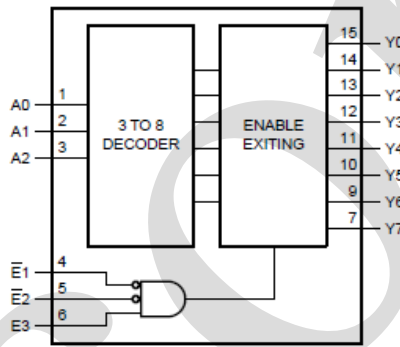


Figure 2. Functional diagram

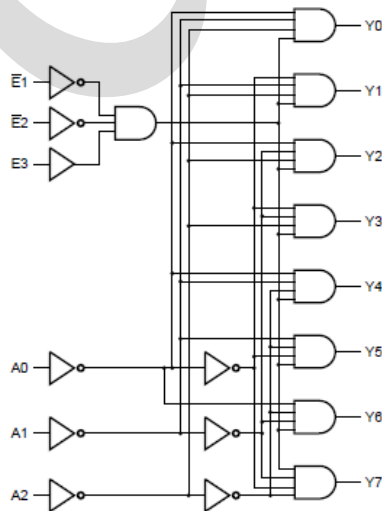
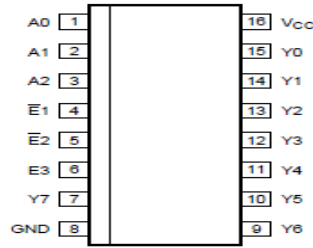


Figure 3. Logic diagram



2.2、Pin Configurations



2.3、Pin Description

Pin No.	Pin Name	Description
1	A0	address input
2	A1	address input
3	A2	address input
4	$\bar{E}1$	enable input (active LOW)
5	$\bar{E}2$	enable input (active LOW)
6	E3	enable input (active HIGH)
7	Y7	output (active HIGH)
8	GND	ground (0V)
9	Y6	output (active HIGH)
10	Y5	output (active HIGH)
11	Y4	output (active HIGH)
12	Y3	output (active HIGH)
13	Y2	output (active HIGH)
14	Y1	output (active HIGH)
15	Y0	output (active HIGH)
16	V _{CC}	supply voltage

2.4、Function Table

Input						Output							
$\bar{E}1$	$\bar{E}2$	E3	A0	A1	A2	Y0	Y1	Y2	Y3	Y4	Y5	Y6	Y7
H	X	X	X	X	X	L	L	L	L	L	L	L	L
X	H	X	X	X	X	L	L	L	L	L	L	L	L
X	X	L	X	X	X	L	L	L	L	L	L	L	L
L	L	H	L	L	L	H	L	L	L	L	L	L	L
L	L	H	H	L	L	L	H	L	L	L	L	L	L
L	L	H	L	H	L	L	L	H	L	L	L	L	L
L	L	H	H	H	L	L	L	L	H	L	L	L	L
L	L	H	L	L	H	L	L	L	L	H	L	L	L
L	L	H	H	L	H	L	L	L	L	L	H	L	L
L	L	H	L	H	H	L	L	L	L	L	L	H	L
L	L	H	H	H	H	L	L	L	L	L	L	L	H

Note: H=HIGH voltage level; L=LOW voltage level; X=don't care.



3、Electrical Parameter

3.1、Absolute Maximum Ratings

(Voltages are referenced to GND(ground=0V), unless otherwise specified.)

Parameter	Symbol	Conditions	Min.	Max.	Unit
supply voltage	V_{CC}	-	-0.5	+7.0	V
input clamping current	I_{IK}	$V_I < -0.5V$ or $V_I > V_{CC}+0.5V$	-	± 20	mA
output clamping current	I_{OK}	$V_O < -0.5V$ or $V_O > V_{CC}+0.5V$	-	± 20	mA
output current	I_O	$-0.5V < V_O < V_{CC}+0.5V$	-	± 25	mA
supply current	I_{CC}	-	-	+50	mA
ground current	I_{GND}	-	-50	-	mA
storage temperature	T_{stg}	-	-65	+150	°C
total power dissipation	P_{tot}	-	-	500	mW
Soldering temperature	T_L	10s	DIP	245	°C
			SOP	250	°C

Note:

[1] For DIP16 packages: above 70°C the value of P_{tot} derates linearly with 12mW/K.

[2] For SOP16 packages: above 70°C the value of P_{tot} derates linearly with 8mW/K.

[3] For (T)SSOP16 packages: above 60°C the value of P_{tot} derates linearly with 5.5mW/K.

3.2、Recommended Operating Conditions

Parameter	Symbol	Conditions	Min.	Typ.	Max.	Unit
AiP74HC238						
supply voltage	V_{CC}	-	2.0	5.0	6.0	V
input voltage	V_I	-	0	-	V_{CC}	V
output voltage	V_O	-	0	-	V_{CC}	V
input transition rise and fall rate	$\Delta t/\Delta V$	$V_{CC}=2.0V$	-	-	625	ns/V
		$V_{CC}=4.5V$	-	1.67	139	ns/V
		$V_{CC}=6.0V$	-	-	83	ns/V
ambient temperature	T_{amb}	-	-40	-	+105	°C
AiP74HCT238						
supply voltage	V_{CC}	-	4.5	5.0	5.5	V
input voltage	V_I	-	0	-	V_{CC}	V
output voltage	V_O	-	0	-	V_{CC}	V
input transition rise and fall rate	$\Delta t/\Delta V$	$V_{CC}=4.5V$	-	1.67	139	ns/V
ambient temperature	T_{amb}	-	-40	-	+105	°C



3.3、Electrical Characteristics

3.3.1、DC Characteristics 1

($T_{amb}=25^{\circ}\text{C}$, voltages are referenced to GND (ground=0V), unless otherwise specified.)

Parameter	Symbol	Conditions	Min.	Typ.	Max.	Unit	
AiP74HC238							
HIGH-level input voltage	V_{IH}	$V_{CC}=2.0\text{V}$	1.5	1.2	-	V	
		$V_{CC}=4.5\text{V}$	3.15	2.4	-	V	
		$V_{CC}=6.0\text{V}$	4.2	3.2	-	V	
LOW-level input voltage	V_{IL}	$V_{CC}=2.0\text{V}$	-	0.8	0.5	V	
		$V_{CC}=4.5\text{V}$	-	2.1	1.35	V	
		$V_{CC}=6.0\text{V}$	-	2.8	1.8	V	
HIGH-level output voltage	V_{OH}	$V_I = V_{IH} \text{ or } V_{IL}$	$I_O=-20\mu\text{A}; V_{CC}=2.0\text{V}$	1.9	2.0	-	V
			$I_O=-20\mu\text{A}; V_{CC}=4.5\text{V}$	4.4	4.5	-	V
			$I_O=-20\mu\text{A}; V_{CC}=6.0\text{V}$	5.9	6.0	-	V
			$I_O=-4.0\text{mA}; V_{CC}=4.5\text{V}$	3.98	4.32	-	V
			$I_O=-5.2\text{mA}; V_{CC}=6.0\text{V}$	5.48	5.81	-	V
LOW-level output voltage	V_{OL}	$V_I = V_{IH} \text{ or } V_{IL}$	$I_O=20\mu\text{A}; V_{CC}=2.0\text{V}$	-	0	0.1	V
			$I_O=20\mu\text{A}; V_{CC}=4.5\text{V}$	-	0	0.1	V
			$I_O=20\mu\text{A}; V_{CC}=6.0\text{V}$	-	0	0.1	V
			$I_O=4.0\text{mA}; V_{CC}=4.5\text{V}$	-	0.15	0.26	V
			$I_O=5.2\text{mA}; V_{CC}=6.0\text{V}$	-	0.16	0.26	V
input leakage current	I_I	$V_I=V_{CC} \text{ or } \text{GND}; V_{CC}=6.0\text{V}$	-	-	± 0.1	μA	
supply current	I_{CC}	$V_I=V_{CC} \text{ or } \text{GND}; I_O=0\text{A}; V_{CC}=6.0\text{V}$	-	-	8.0	μA	
input capacitance	C_I	-	-	3.5	-	pF	
AiP74HCT238							
HIGH-level input voltage	V_{IH}	$V_{CC}=4.5\text{V to } 5.5\text{V}$	2.0	1.6	-	V	
LOW-level input voltage	V_{IL}	$V_{CC}=4.5\text{V to } 5.5\text{V}$	-	1.2	0.8	V	
HIGH-level output voltage	V_{OH}	$V_I = V_{IH} \text{ or } V_{IL}; V_{CC}=4.5\text{V}$	$I_O=-20\mu\text{A}$	4.4	4.5	-	V
			$I_O=-4.0\text{mA}$	3.98	4.32	-	V
LOW-level output voltage	V_{OL}	$V_I = V_{IH} \text{ or } V_{IL}; V_{CC}=4.5\text{V}$	$I_O=20\mu\text{A}$	-	0	0.1	V
			$I_O=4.0\text{mA}$	-	0.16	0.26	V
input leakage current	I_I	$V_I=V_{CC} \text{ or } \text{GND}; V_{CC}=5.5\text{V}$	-	-	± 0.1	μA	
supply current	I_{CC}	$V_I=V_{CC} \text{ or } \text{GND}; I_O=0\text{A}; V_{CC}=5.5\text{V}$	-	-	8.0	μA	
additional supply current	ΔI_{CC}	$V_I=V_{CC}-2.1\text{V};$ other inputs at V_{CC} or GND; $I_O=0\text{A};$ $V_{CC}=4.5\text{V to } 5.5\text{V}$	An inputs	-	70	252	μA
			$\bar{E}1, \bar{E}2$ inputs	-	40	144	μA
			E3 input	-	145	522	μA
input capacitance	C_I	-	-	3.5	-	pF	



3.3.2、DC Characteristics 2

($T_{amb} = -40^{\circ}\text{C}$ to $+85^{\circ}\text{C}$, voltages are referenced to GND (ground=0V), unless otherwise specified.)

Parameter	Symbol	Conditions	Min.	Typ.	Max.	Unit	
AiP74HC238							
HIGH-level input voltage	V_{IH}	$V_{CC}=2.0\text{V}$	1.5	-	-	V	
		$V_{CC}=4.5\text{V}$	3.15	-	-	V	
		$V_{CC}=6.0\text{V}$	4.2	-	-	V	
LOW-level input voltage	V_{IL}	$V_{CC}=2.0\text{V}$	-	-	0.5	V	
		$V_{CC}=4.5\text{V}$	-	-	1.35	V	
		$V_{CC}=6.0\text{V}$	-	-	1.8	V	
HIGH-level output voltage	V_{OH}	$V_I = V_{IH} \text{ or } V_{IL}$	$I_O = -20\mu\text{A}; V_{CC}=2.0\text{V}$	1.9	-	-	V
			$I_O = -20\mu\text{A}; V_{CC}=4.5\text{V}$	4.4	-	-	V
			$I_O = -20\mu\text{A}; V_{CC}=6.0\text{V}$	5.9	-	-	V
			$I_O = -4.0\text{mA}; V_{CC}=4.5\text{V}$	3.84	-	-	V
			$I_O = -5.2\text{mA}; V_{CC}=6.0\text{V}$	5.34	-	-	V
LOW-level output voltage	V_{OL}	$V_I = V_{IH} \text{ or } V_{IL}$	$I_O = 20\mu\text{A}; V_{CC}=2.0\text{V}$	-	-	0.1	V
			$I_O = 20\mu\text{A}; V_{CC}=4.5\text{V}$	-	-	0.1	V
			$I_O = 20\mu\text{A}; V_{CC}=6.0\text{V}$	-	-	0.1	V
			$I_O = 4.0\text{mA}; V_{CC}=4.5\text{V}$	-	-	0.33	V
			$I_O = 5.2\text{mA}; V_{CC}=6.0\text{V}$	-	-	0.33	V
input leakage current	I_I	$V_I = V_{CC} \text{ or } \text{GND}; V_{CC}=6.0\text{V}$	-	-	± 1.0	μA	
supply current	I_{CC}	$V_I = V_{CC} \text{ or } \text{GND}; I_O=0\text{A}; V_{CC}=6.0\text{V}$	-	-	80	μA	
AiP74HCT238							
HIGH-level input voltage	V_{IH}	$V_{CC}=4.5\text{V to } 5.5\text{V}$	2.0	-	-	V	
LOW-level input voltage	V_{IL}	$V_{CC}=4.5\text{V to } 5.5\text{V}$	-	-	0.8	V	
HIGH-level output voltage	V_{OH}	$V_I = V_{IH} \text{ or } V_{IL}; V_{CC}=4.5\text{V}$	$I_O = -20\mu\text{A}$	4.4	-	-	V
			$I_O = -4.0\text{mA}$	3.84	-	-	V
LOW-level output voltage	V_{OL}	$V_I = V_{IH} \text{ or } V_{IL}; V_{CC}=4.5\text{V}$	$I_O = 20\mu\text{A}$	-	-	0.1	V
			$I_O = 4.0\text{mA}$	-	-	0.33	V
input leakage current	I_I	$V_I = V_{CC} \text{ or } \text{GND}; V_{CC}=5.5\text{V}$	-	-	± 1.0	μA	
supply current	I_{CC}	$V_I = V_{CC} \text{ or } \text{GND}; I_O=0\text{A}; V_{CC}=5.5\text{V}$	-	-	80	μA	
additional supply current	ΔI_{CC}	$V_I = V_{CC} - 2.1\text{V};$ other inputs at V_{CC} or GND; $I_O=0\text{A};$ $V_{CC}=4.5\text{V to } 5.5\text{V}$	An inputs	-	-	315	μA
			$\bar{E}1, \bar{E}2$ inputs	-	-	180	μA
			E3 input	-	-	653	μA



3.3.3、DC Characteristics 3

($T_{amb} = -40^{\circ}\text{C}$ to $+105^{\circ}\text{C}$, voltages are referenced to GND (ground=0V), unless otherwise specified.)

Parameter	Symbol	Conditions	Min.	Typ.	Max.	Unit	
AiP74HC238							
HIGH-level input voltage	V_{IH}	$V_{CC}=2.0\text{V}$	1.5	-	-	V	
		$V_{CC}=4.5\text{V}$	3.15	-	-	V	
		$V_{CC}=6.0\text{V}$	4.2	-	-	V	
LOW-level input voltage	V_{IL}	$V_{CC}=2.0\text{V}$	-	-	0.5	V	
		$V_{CC}=4.5\text{V}$	-	-	1.35	V	
		$V_{CC}=6.0\text{V}$	-	-	1.8	V	
HIGH-level output voltage	V_{OH}	$V_I = V_{IH} \text{ or } V_{IL}$	$I_O = -20\mu\text{A}; V_{CC}=2.0\text{V}$	1.9	-	-	V
			$I_O = -20\mu\text{A}; V_{CC}=4.5\text{V}$	4.4	-	-	V
			$I_O = -20\mu\text{A}; V_{CC}=6.0\text{V}$	5.9	-	-	V
			$I_O = -4.0\text{mA}; V_{CC}=4.5\text{V}$	3.7	-	-	V
			$I_O = -5.2\text{mA}; V_{CC}=6.0\text{V}$	5.2	-	-	V
LOW-level output voltage	V_{OL}	$V_I = V_{IH} \text{ or } V_{IL}$	$I_O = 20\mu\text{A}; V_{CC}=2.0\text{V}$	-	-	0.1	V
			$I_O = 20\mu\text{A}; V_{CC}=4.5\text{V}$	-	-	0.1	V
			$I_O = 20\mu\text{A}; V_{CC}=6.0\text{V}$	-	-	0.1	V
			$I_O = 4.0\text{mA}; V_{CC}=4.5\text{V}$	-	-	0.4	V
			$I_O = 5.2\text{mA}; V_{CC}=6.0\text{V}$	-	-	0.4	V
input leakage current	I_I	$V_I = V_{CC} \text{ or } \text{GND}; V_{CC}=6.0\text{V}$	-	-	± 1.0	μA	
supply current	I_{CC}	$V_I = V_{CC} \text{ or } \text{GND}; I_O=0\text{A}; V_{CC}=6.0\text{V}$	-	-	160	μA	
AiP74HCT238							
HIGH-level input voltage	V_{IH}	$V_{CC}=4.5\text{V to } 5.5\text{V}$	2.0	-	-	V	
LOW-level input voltage	V_{IL}	$V_{CC}=4.5\text{V to } 5.5\text{V}$	-	-	0.8	V	
HIGH-level output voltage	V_{OH}	$V_I = V_{IH} \text{ or } V_{IL}; V_{CC}=4.5\text{V}$	$I_O = -20\mu\text{A}$	4.4	-	-	V
			$I_O = -4.0\text{mA}$	3.7	-	-	V
LOW-level output voltage	V_{OL}	$V_I = V_{IH} \text{ or } V_{IL}; V_{CC}=4.5\text{V}$	$I_O = 20\mu\text{A}$	-	-	0.1	V
			$I_O = 4.0\text{mA}$	-	-	0.4	V
input leakage current	I_I	$V_I = V_{CC} \text{ or } \text{GND}; V_{CC}=5.5\text{V}$	-	-	± 1.0	μA	
supply current	I_{CC}	$V_I = V_{CC} \text{ or } \text{GND}; I_O=0\text{A}; V_{CC}=5.5\text{V}$	-	-	160	μA	
additional supply current	ΔI_{CC}	$V_I = V_{CC} - 2.1\text{V};$ other inputs at V_{CC} or GND; $I_O=0\text{A};$ $V_{CC}=4.5\text{V to } 5.5\text{V}$	An inputs	-	-	343	μA
			$\bar{E}1, \bar{E}2$ inputs	-	-	196	μA
			E3 input	-	-	711	μA



3.3.4、AC Characteristics 1

($T_{amb}=25^{\circ}C$, voltages are referenced to GND (ground=0V), unless otherwise specified.)

Parameter	Symbol	Conditions	Min.	Typ.	Max.	Unit	
AiP74HC238							
propagation delay	t_{pd}	An to Yn; see Figure 5	$V_{CC}=2.0V$	-	47	150	ns
			$V_{CC}=4.5V$	-	17	30	ns
			$V_{CC}=5.0V; C_L=15pF$	-	14	-	ns
			$V_{CC}=6.0V$	-	14	26	ns
		E3 to Yn; see Figure 5	$V_{CC}=2.0V$	-	52	160	ns
			$V_{CC}=4.5V$	-	19	32	ns
			$V_{CC}=5.0V; C_L=15pF$	-	16	-	ns
			$V_{CC}=6.0V$	-	15	27	ns
		$\bar{E}n$ to Yn; see Figure 6	$V_{CC}=2.0V$	-	50	155	ns
			$V_{CC}=4.5V$	-	18	31	ns
			$V_{CC}=5.0V; C_L=15pF$	-	17	-	ns
			$V_{CC}=6.0V$	-	14	26	ns
transition time	t_t	see Figure 5, 6	$V_{CC}=2.0V$	-	19	75	ns
			$V_{CC}=4.5V$	-	7	15	ns
			$V_{CC}=6.0V$	-	6	13	ns
power dissipation capacitance	C_{PD}	per package; $V_I=GND$ to V_{CC}	-	72	-	pF	
AiP74HCT238							
propagation delay	t_{pd}	An to Yn; see Figure 5	$V_{CC}=4.5V$	-	19	35	ns
			$V_{CC}=5.0V; C_L=15pF$	-	18	-	ns
		E3 to Yn; see Figure 5	$V_{CC}=4.5V$	-	20	37	ns
			$V_{CC}=5.0V; C_L=15pF$	-	20	-	ns
		$\bar{E}n$ to Yn; see Figure 6	$V_{CC}=4.5V$	-	20	35	ns
			$V_{CC}=5.0V; C_L=15pF$	-	21	-	ns
transition time	t_t	$V_{CC}=4.5V$; see Figure 5, 6	-	7	15	ns	
power dissipation capacitance	C_{PD}	per package; $V_I=GND$ to $V_{CC}-1.5V$	-	76	-	pF	

Note:

[1] t_{pd} is the same as t_{PLH} and t_{PHL} .

[2] t_t is the same as t_{THL} and t_{TLH} .

[3] C_{PD} is used to determine the dynamic power dissipation (P_D in uW).

$$P_D = C_{PD} \times V_{CC}^2 \times f_i \times N + \sum (C_L \times V_{CC}^2 \times f_o) \text{ where:}$$

f_i =input frequency in MHz;

f_o =output frequency in MHz;

C_L =output load capacitance in pF;

V_{CC} =supply voltage in V;

N =number of inputs switching;

$\sum (C_L \times V_{CC}^2 \times f_o)$ =sum of outputs.



3.3.5、AC Characteristics 2

($T_{amb} = -40^{\circ}\text{C}$ to $+85^{\circ}\text{C}$, voltages are referenced to GND (ground=0V), unless otherwise specified.)

Parameter	Symbol	Conditions	Min.	Typ.	Max.	Unit	
AiP74HC238							
propagation delay	t_{pd}	An to Yn; see Figure 5	$V_{CC}=2.0\text{V}$	-	-	190	ns
			$V_{CC}=4.5\text{V}$	-	-	38	ns
			$V_{CC}=6.0\text{V}$	-	-	33	ns
		E3 to Yn; see Figure 5	$V_{CC}=2.0\text{V}$	-	-	200	ns
			$V_{CC}=4.5\text{V}$	-	-	40	ns
			$V_{CC}=6.0\text{V}$	-	-	34	ns
		$\bar{E}n$ to Yn; see Figure 6	$V_{CC}=2.0\text{V}$	-	-	195	ns
			$V_{CC}=4.5\text{V}$	-	-	39	ns
			$V_{CC}=6.0\text{V}$	-	-	33	ns
transition time	t_t	see Figure 5, 6	$V_{CC}=2.0\text{V}$	-	-	95	ns
			$V_{CC}=4.5\text{V}$	-	-	19	ns
			$V_{CC}=6.0\text{V}$	-	-	16	ns
AiP74HCT238							
propagation delay	t_{pd}	An to Yn; see Figure 5	$V_{CC}=4.5\text{V}$	-	-	44	ns
		E3 to Yn; see Figure 5	$V_{CC}=4.5\text{V}$	-	-	46	ns
		$\bar{E}n$ to Yn; see Figure 6	$V_{CC}=4.5\text{V}$	-	-	44	ns
transition time	t_t	$V_{CC}=4.5\text{V}$; see Figure 5, 6		-	-	19	ns

Note:

[1] t_{pd} is the same as t_{PLH} and t_{PHL} .

[2] t_t is the same as t_{THL} and t_{TLH} .



3.3.6. AC Characteristics 3

($T_{amb}=-40^{\circ}\text{C}$ to $+105^{\circ}\text{C}$, voltages are referenced to GND (ground=0V), unless otherwise specified.)

Parameter	Symbol	Conditions	Min.	Typ.	Max.	Unit	
AiP74HC238							
propagation delay	t_{pd}	An to Yn; see Figure 5	$V_{CC}=2.0\text{V}$	-	-	225	ns
			$V_{CC}=4.5\text{V}$	-	-	45	ns
			$V_{CC}=6.0\text{V}$	-	-	38	ns
		E3 to Yn; see Figure 5	$V_{CC}=2.0\text{V}$	-	-	240	ns
			$V_{CC}=4.5\text{V}$	-	-	48	ns
			$V_{CC}=6.0\text{V}$	-	-	41	ns
		$\bar{E}n$ to Yn; see Figure 6	$V_{CC}=2.0\text{V}$	-	-	235	ns
			$V_{CC}=4.5\text{V}$	-	-	47	ns
			$V_{CC}=6.0\text{V}$	-	-	40	ns
transition time	t_t	see Figure 5, 6	$V_{CC}=2.0\text{V}$	-	-	110	ns
			$V_{CC}=4.5\text{V}$	-	-	22	ns
			$V_{CC}=6.0\text{V}$	-	-	19	ns
AiP74HCT238							
propagation delay	t_{pd}	An to Yn; see Figure 5	$V_{CC}=4.5\text{V}$	-	-	53	ns
		E3 to Yn; see Figure 5	$V_{CC}=4.5\text{V}$	-	-	56	ns
		$\bar{E}n$ to Yn; see Figure 6	$V_{CC}=4.5\text{V}$	-	-	53	ns
transition time	t_t	$V_{CC}=4.5\text{V}$; see Figure 5, 6	-	-	22	ns	

Note:

[1] t_{pd} is the same as t_{PLH} and t_{PHL} .

[2] t_t is the same as t_{THL} and t_{TLH} .



4、 Testing Circuit

4.1、 AC Testing Circuit

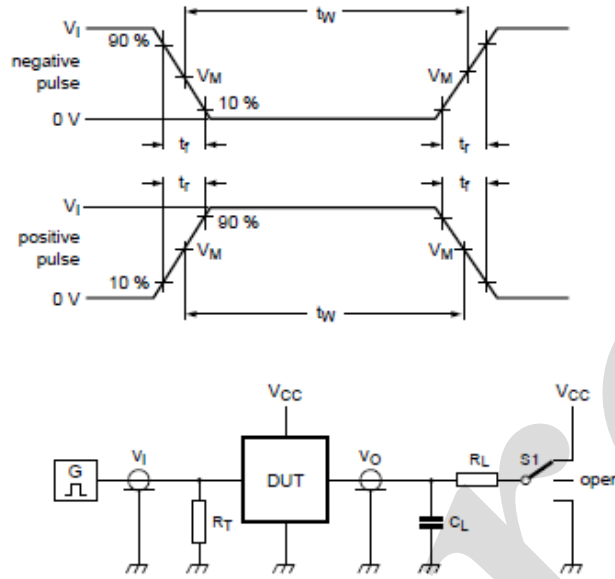


Figure 4. Test circuit for measuring switching times

Definitions for test circuit:

C_L =Load capacitance including jig and probe capacitance.

R_T =Termination resistance should be equal to the output impedance Z_o of the pulse generator.

R_L =Load resistance.

S1=Test selection switch.

4.2、 AC Testing Waveforms

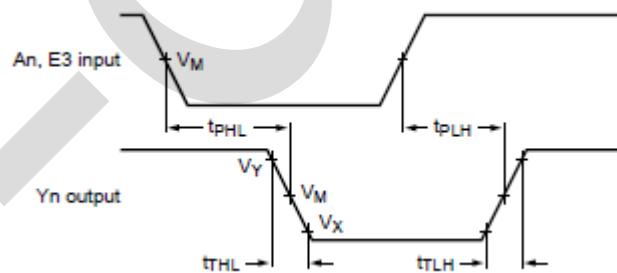


Figure 5. Input (An, E3) to output (Yn) propagation delays and output transition times

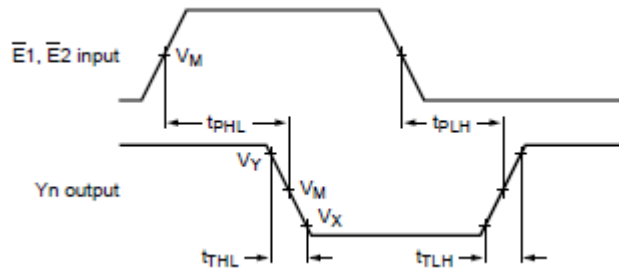


Figure 6. Input ($\bar{E}1$, $\bar{E}2$) to output (Yn) propagation delays and output transition times

4.3. Measurement Points

Type	Input		Output	
	V_M	V_M	V_X	V_Y
AiP74HC238	$0.5 \times V_{CC}$	$0.5 \times V_{CC}$	$0.1 \times V_{CC}$	$0.9 \times V_{CC}$
AiP74HCT238	1.3V	1.3V	$0.1 \times V_{CC}$	$0.9 \times V_{CC}$

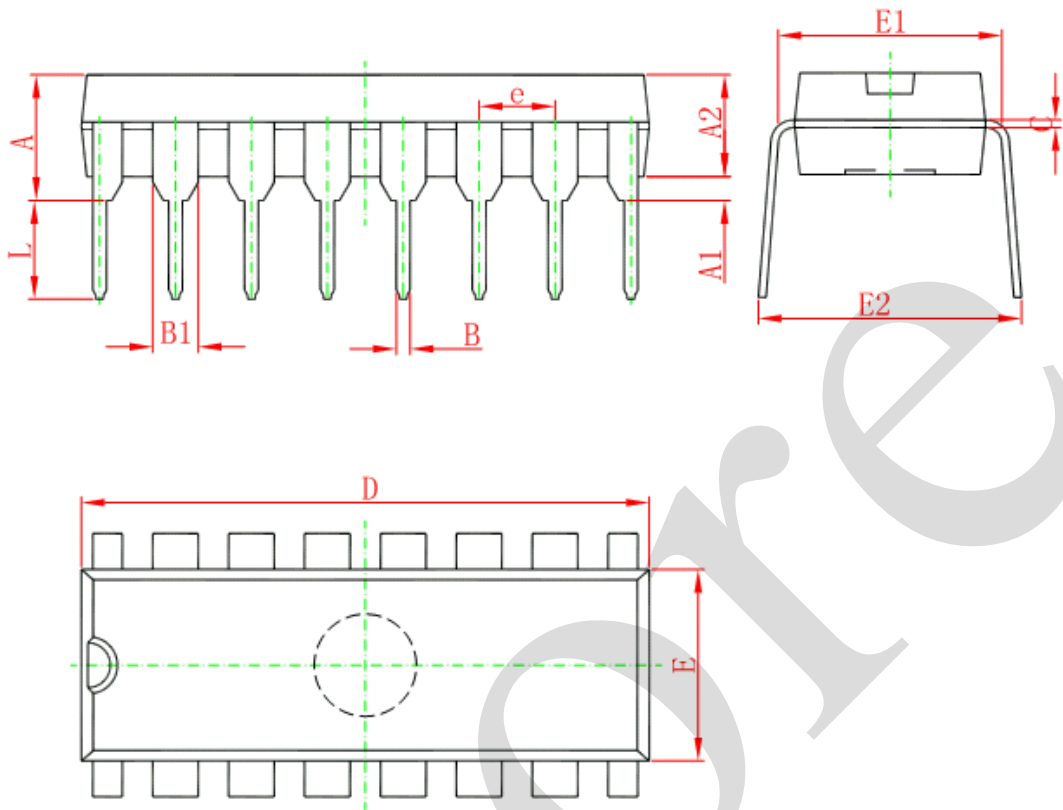
4.4. Test Data

Type	Input		Load		S1 position
	V_I	t_r, t_f	C_L	R_L	t_{PHL}, t_{PLH}
AiP74HC238	V_{CC}	6ns	15pF, 50pF	1k Ω	open
AiP74HCT238	3V	6ns	15pF, 50pF	1k Ω	open



5、Package Information

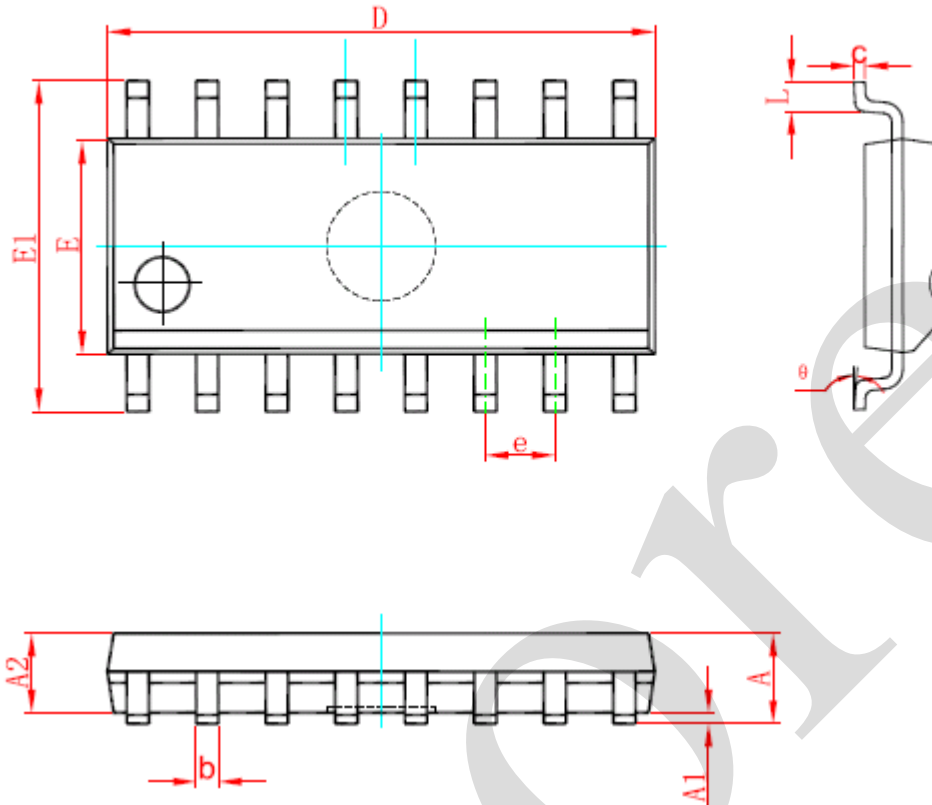
5.1、DIP16



Symbol	Dimensions In Millimeters		Dimensions In Inches	
	Min	Max	Min	Max
A	3.710	4.310	0.146	0.170
A1	0.510		0.020	
A2	3.200	3.600	0.126	0.142
B	0.380	0.570	0.015	0.022
B1	1.524 (BSC)		0.060 (BSC)	
C	0.204	0.360	0.008	0.014
D	18.800	19.200	0.740	0.756
E	6.200	6.600	0.244	0.260
E1	7.320	7.920	0.288	0.312
e	2.540 (BSC)		0.100 (BSC)	
L	3.000	3.600	0.118	0.142
E2	8.400	9.000	0.331	0.354



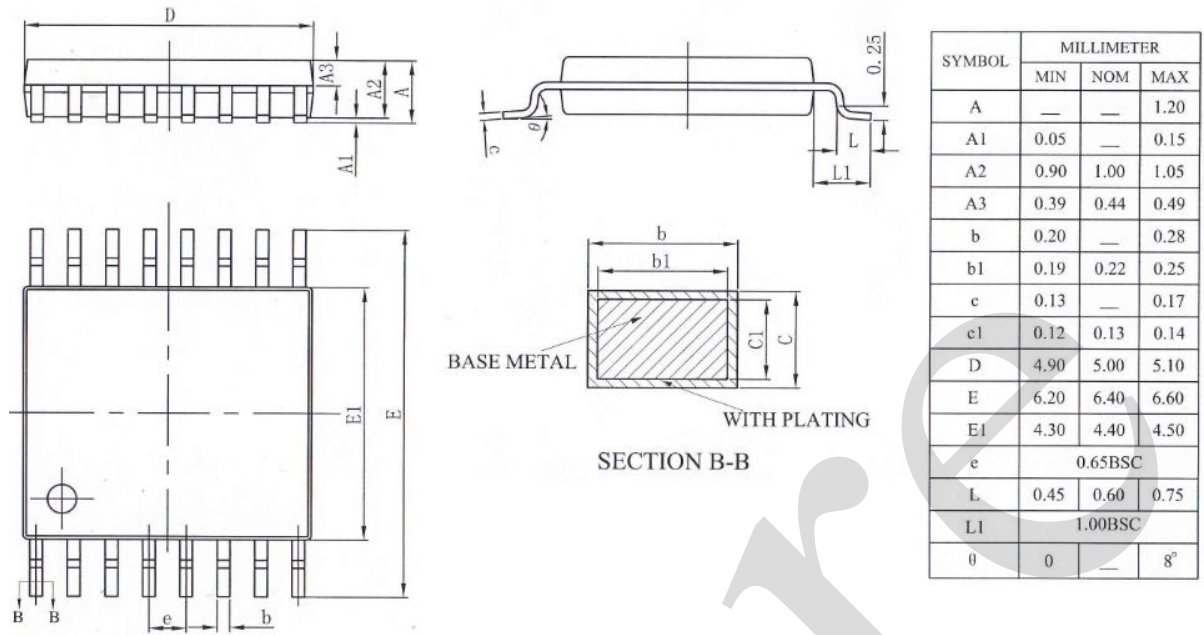
5.2、SOP16



Symbol	Dimensions In Millimeters		Dimensions In Inches	
	Min	Max	Min	Max
A	1.350	1.750	0.053	0.069
A1	0.100	0.250	0.004	0.010
A2	1.350	1.550	0.053	0.061
b	0.330	0.510	0.013	0.020
c	0.170	0.250	0.007	0.010
D	9.800	10.200	0.386	0.402
E	3.800	4.000	0.150	0.157
E1	5.800	6.200	0.228	0.244
e	1.270 (BSC)		0.050 (BSC)	
L	0.400	1.270	0.016	0.050
θ	0°	8°	0°	8°



5.3、TSSOP16





6、 Statements And Notes

6.1、 The name and content of Hazardous substances or Elements in the product

Part name	Hazardous substances or Elements									
	Lead and lead compounds	Mercury and mercury compounds	Cadmium and cadmium compounds	Hexavalent chromium compounds	Polybrominated biphenyls	Polybrominated biphenyl ethers	Dibutyl phthalate	Butylbenzyl phthalate	Di-2-ethylhexyl phthalate	Diisobutyl phthalate
Lead frame	○	○	○	○	○	○	○	○	○	○
Plastic resin	○	○	○	○	○	○	○	○	○	○
Chip	○	○	○	○	○	○	○	○	○	○
The lead	○	○	○	○	○	○	○	○	○	○
Plastic sheet installed	○	○	○	○	○	○	○	○	○	○
explanation	○: Indicates that the content of hazardous substances or elements in the detection limit of the following the SJ/T11363-2006 standard. ×: Indicates that the content of hazardous substances or elements exceeding the SJ/T11363-2006 Standard limit requirements.									

6.2、 Notion

Recommended carefully reading this information before the use of this product;

The information in this document are subject to change without notice;

This information is using to the reference only, the company is not responsible for any loss;

The company is not responsible for the any infringement of the third party patents or other rights of the responsibility.

X-ON Electronics

Largest Supplier of Electrical and Electronic Components

Click to view similar products for [Analogue Switch ICs category](#):

Click to view products by [I-core manufacturer](#):

Other Similar products are found below :

[FSA3051TMX](#) [NLAS5223BLMNR2G](#) [NLVAS4599DTT1G](#) [NLX2G66DMUTCG](#) [425541DB](#) [DG403DY](#) [099044FB](#) [MAX4762ETB+](#)
[NLAS3799BMNR2G](#) [NLAS5123MNR2G](#) [ISL84684IR](#) [PI5A4157CEX](#) [PI5A4599BCEX](#) [NLAS4717EPFCT1G](#) [PI5A3167CCEX](#)
[SLAS3158MNR2G](#) [PI5A392AQE](#) [NX3L1T5157GMZ](#) [ADG714BCPZ-REEL7](#) [DG333ALDW-T1-E3](#) [ISL43113IB](#) [ISL43140IB](#)
[ISL43140IBZ-T](#) [ISL43143IR](#) [ISL43L120IR](#) [ISL43L121IR](#) [ISL43L122IR](#) [ISL43L220IR](#) [ISL43L410IR](#) [ISL43L420IR](#) [ISL43L710IR](#)
[ISL43L711IR](#) [ISL43L712IR](#) [ISL84053IA](#) [ISL84514IB](#) [ISL84516IB](#) [ISL84684IUZ-T](#) [LNLASB3157DFT2G](#) [NLAS324US](#)
[NLASTV4599DFT2G](#) [TPW4053-SR](#) [HT4069ARZ](#) [CD4052BM](#) [RS2252XTQC16](#) [RS2166XC5](#) [4066G-S14-R](#) [WAS4642Q-24/TR](#)
[WS4612EAA-5/TR](#) [TS5A3157DBVR\(UMW\)](#) [SN74LVC1G66DBVR](#)