



AiPTB010X

X-Bit Bidirectional Level-Shifting, Voltage-Level Translator

Product Specification

Specification Revision History:

Version	Date	Description
2021-04-A1	2021-04	New



1、 General Description

The AiPTB010X is an 8-bit, dual supply translating transceiver with auto direction sensing, that enables bidirectional voltage level translation. It features two 8-bit input-output ports (An and Bn), one output enable input (OE) and two supply pins ($V_{CC(A)}$ and $V_{CC(B)}$). $V_{CC(A)}$ can be supplied at any voltage between 1.2V and 3.6V and $V_{CC(B)}$ can be supplied at any voltage between 1.65V and 5.5V, making the device suitable for translating between any of the low voltage nodes (1.2V, 1.5V, 1.8V, 2.5V, 3.3V and 5.0 V).

Pins An and OE are referenced to $V_{CC(A)}$ and pins Bn are referenced to $V_{CC(B)}$. A LOW level at pin OE causes the outputs to assume a high-impedance OFF-state. This device is fully specified for partial power-down applications using I_{OFF} . The I_{OFF} circuitry disables the output, preventing the damaging backflow current through the device when it is powered down.

Features:

- Wide supply voltage range:
 $V_{CC(A)}$: 1.2V to 3.6V
 $V_{CC(B)}$: 1.65V to 5.5V
- I_{OFF} circuitry provides partial Power-down mode operation
- Inputs accept voltages up to 5.5V
- Specified from -40°C to +105°C
- Packaging information:
AiPTB0101: SOT23-6/SOT363
AiPTB0102: TSSOP8/VSSOP8
AiPTB0104: SOP14/TSSOP14/DHVQFN14
AiPTB0106: SOP16/TSSOP16
AiPTB0108: SOP20/TSSOP20

**Ordering Information:****Tube packing specifications:**

Part number	Packaging form	Marking code	Tube quantity	Boxed tube quantity	Boxed quantity	Notes
AiPTB0104SA14.TB	SOP14	AiPTB0104	50 PCS/tube	200 tube/box	10000 PCS/box	Dimensions of plastic enclosure: 8.7mm×3.9mm Pin spacing:1.27mm
AiPTB0104TA14.TB	TSSOP14	AiPTB0104	94 PCS/tube	200 tube/box	18800 PCS/box	Dimensions of plastic enclosure: 5.0mm×4.4mm Pin spacing:0.65mm
AiPTB0106SA16.TB	SOP16	AiPTB0106	50 PCS/tube	200 tube/box	10000 PCS/box	Dimensions of plastic enclosure: 10.0mm×3.9mm Pin spacing:1.27mm
AiPTB0106TA16.TB	TSSOP16	AiPTB0106	96 PCS/tube	120 tube/box	19200 PCS/box	Dimensions of plastic enclosure: 5.0mm×4.4mm Pin spacing:0.65mm
AiPTB0108SA20.TB	SOP20	AiPTB0108	35 PCS/tube	80 tube/box	2800 PCS/box	Dimensions of plastic enclosure: 12.8mm×7.5mm Pin spacing:1.27mm
AiPTB0108TA20.TB	TSSOP20	AiPTB0108	70 PCS/tube	200 tube/box	14000 PCS/box	Dimensions of plastic enclosure: 6.5mm×4.4mm Pin spacing:0.65mm

**Reel packing specifications:**

Part number	Packaging form	Marking code	Reel quantity	Boxed reel quantity	Notes
AiPTB0101GB236.TR	SOT23-6	DDXX	3000PCS/reel	30000PCS/box	Dimensions of plastic enclosure: 2.9mm×1.6mm Pin spacing:0.95mm
AiPTB0101GC363.TR	SOT363	DDXX	3000PCS/reel	30000PCS/box	Dimensions of plastic enclosure: 2.1mm×1.3mm Pin spacing:0.65mm
AiPTB0102TA8.TR	TSSOP8	DEXX	6000PCS/reel	6000PCS/box	Dimensions of plastic enclosure: 3.0mm×3.0mm Pin spacing:0.65mm
AiPTB0102YA8.TR	VSSOP8	DEXX	3000PCS/reel	3000PCS/box	Dimensions of plastic enclosure: 2.0mm×2.3mm Pin spacing:0.50mm
AiPTB0104SA14.TR	SOP14	AiPTB0104	4000PCS/reel	8000PCS/box	Dimensions of plastic enclosure: 8.7mm×3.9mm Pin spacing:1.27mm
AiPTB0104TA14.TR	TSSOP14	AiPTB0104	5000PCS/reel	10000PCS/box	Dimensions of plastic enclosure: 5.0mm×4.4mm Pin spacing:0.65mm
AiPTB0106SA16.TR	SOP16	AiPTB0106	4000PCS/reel	8000PCS/box	Dimensions of plastic enclosure: 10.0mm×3.9mm Pin spacing:1.27mm
AiPTB0106TA16.TR	TSSOP16	AiPTB0106	5000PCS/reel	10000PCS/box	Dimensions of plastic enclosure: 5.0mm×4.4mm Pin spacing:0.65mm
AiPTB0108SA20.TR	SOP20	AiPTB0108	2000PCS/reel	4000PCS/box	Dimensions of plastic enclosure: 12.8mm×7.5mm Pin spacing:1.27mm
AiPTB0108TA20.TR	TSSOP20	AiPTB0108	4000PCS/reel	8000PCS/box	Dimensions of plastic enclosure: 6.5mm×4.4mm Pin spacing:0.65mm

Note 1 : “XX” refers to variable content, meaning year and package batch serial number.

Note 2 : If the physical information is inconsistent with the ordering information, please refer to the actual product.



2、Block Diagram And Pin Description

2.1、Block Diagram

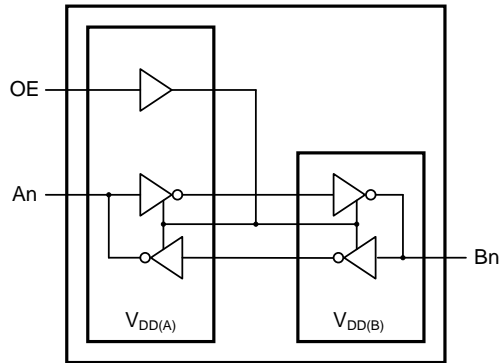
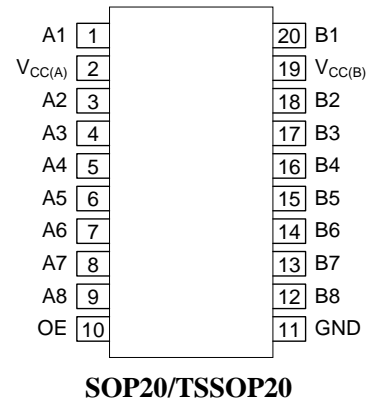
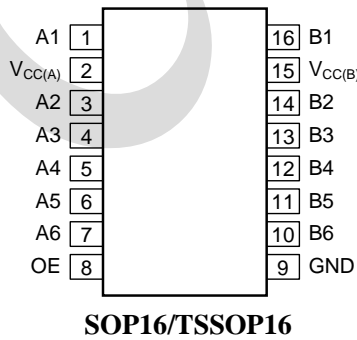
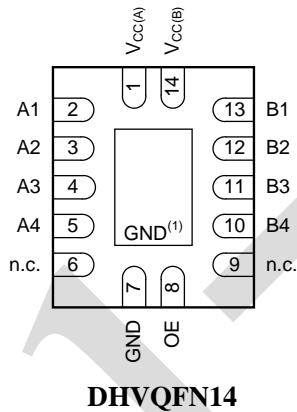
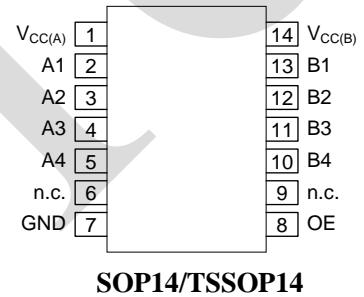
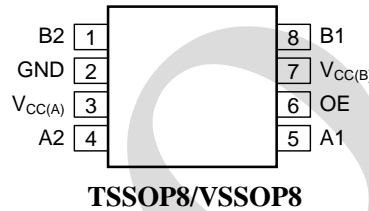
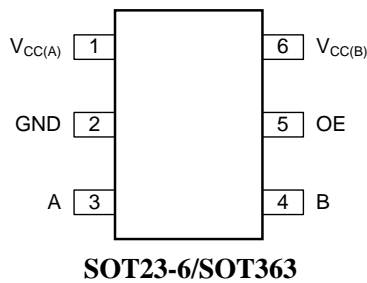


Figure 1. Logic symbol (one channel)

2.2、Pin Configurations





2.3、Pin Description

2.3.1、SOT23-6/SOT363

Pin No.	Pin Name	Description
1	V _{CC(A)}	supply voltage A
2	GND	ground (0V)
3	A	data input or output (referenced to V _{CC(A)})
4	B	data input or output (referenced to V _{CC(B)})
5	OE	output enable input (active HIGH; referenced to V _{CC(A)})
6	V _{CC(B)}	supply voltage B

2.3.2、TSSOP8/VSSOP8

Pin No.	Pin Name	Description
1	B2	data input or output (referenced to V _{CC(B)})
2	GND	ground (0V)
3	V _{CC(A)}	supply voltage A
4	A2	data input or output (referenced to V _{CC(A)})
5	A1	data input or output (referenced to V _{CC(A)})
6	OE	output enable input (active HIGH; referenced to V _{CC(A)})
7	V _{CC(B)}	supply voltage B
8	B1	data input or output (referenced to V _{CC(B)})

2.3.3、SOP14/TSSOP14/DHVQFN14

Pin No.	Pin Name	Description
1	V _{CC(A)}	supply voltage A
2	A1	data input or output (referenced to V _{CC(A)})
3	A2	data input or output (referenced to V _{CC(A)})
4	A3	data input or output (referenced to V _{CC(A)})
5	A4	data input or output (referenced to V _{CC(A)})
6	n.c.	not connected
7	GND	ground (0V)
8	OE	output enable input (active HIGH; referenced to V _{CC(A)})
9	n.c.	not connected
10	B4	data input or output (referenced to V _{CC(B)})
11	B3	data input or output (referenced to V _{CC(B)})
12	B2	data input or output (referenced to V _{CC(B)})
13	B1	data input or output (referenced to V _{CC(B)})
14	V _{CC(B)}	supply voltage B



2.3.4、SOP16/TSSOP16

Pin No.	Pin Name	Description
1	A1	data input or output (referenced to $V_{CC(A)}$)
2	$V_{CC(A)}$	supply voltage A
3	A2	data input or output (referenced to $V_{CC(A)}$)
4	A3	data input or output (referenced to $V_{CC(A)}$)
5	A4	data input or output (referenced to $V_{CC(A)}$)
6	A5	data input or output (referenced to $V_{CC(A)}$)
7	A6	data input or output (referenced to $V_{CC(A)}$)
8	OE	output enable input (active HIGH; referenced to $V_{CC(A)}$)
9	GND	ground (0V)
10	B6	data input or output (referenced to $V_{CC(B)}$)
11	B5	data input or output (referenced to $V_{CC(B)}$)
12	B4	data input or output (referenced to $V_{CC(B)}$)
13	B3	data input or output (referenced to $V_{CC(B)}$)
14	B2	data input or output (referenced to $V_{CC(B)}$)
15	$V_{CC(B)}$	supply voltage B
16	B1	data input or output (referenced to $V_{CC(B)}$)

2.3.5、SOP20/TSSOP20

Pin No.	Pin Name	Description
1	A1	data input or output (referenced to $V_{CC(A)}$)
2	$V_{CC(A)}$	supply voltage A
3	A2	data input or output (referenced to $V_{CC(A)}$)
4	A3	data input or output (referenced to $V_{CC(A)}$)
5	A4	data input or output (referenced to $V_{CC(A)}$)
6	A5	data input or output (referenced to $V_{CC(A)}$)
7	A6	data input or output (referenced to $V_{CC(A)}$)
8	A7	data input or output (referenced to $V_{CC(A)}$)
9	A8	data input or output (referenced to $V_{CC(A)}$)
10	OE	output enable input (active HIGH; referenced to $V_{CC(A)}$)
11	GND	ground (0V)
12	B8	data input or output (referenced to $V_{CC(B)}$)
13	B7	data input or output (referenced to $V_{CC(B)}$)
14	B6	data input or output (referenced to $V_{CC(B)}$)
15	B5	data input or output (referenced to $V_{CC(B)}$)
16	B4	data input or output (referenced to $V_{CC(B)}$)
17	B3	data input or output (referenced to $V_{CC(B)}$)
18	B2	data input or output (referenced to $V_{CC(B)}$)
19	$V_{CC(B)}$	supply voltage B
20	B1	data input or output (referenced to $V_{CC(B)}$)



2.4、Function Table

Supply voltage		Input	Input/output	
V _{CC(A)}	V _{CC(B)}	OE	A	B
1.2V to V _{CC(B)}	1.65V to 5.5V	L	Z	Z
1.2V to V _{CC(B)}	1.65V to 5.5V	H	input or output	output or input
GND	GND	X	Z	Z

Note:

[1] H=HIGH voltage level; L=LOW voltage level; X=don't care; Z=high-impedance OFF-state.

[2] When either V_{CC(A)} or V_{CC(B)} is at GND level, the device goes into power-down mode.

3、Electrical Parameter

3.1、Absolute Maximum Ratings

(T_{amb}=25°C, All voltage referenced to GND, unless otherwise specified)

Characteristic	Symbol	Conditions	Min.	Max.	Unit
supply voltage A	V _{CC(A)}	-	-0.5	+6.5	V
supply voltage B	V _{CC(B)}	-	-0.5	+6.5	V
input voltage	V _I	[1]	-0.5	+6.5	V
output voltage	V _O	Power-down or 3-state mode ^[1]	-0.5	+6.5	V
		Active mode ^{[1][2][3]}	-0.5	V _{CCO} +0.5	V
input clamping current	I _{IK}	V _I <0V	-50	-	mA
output clamping current	I _{OK}	V _O <0V	-50	-	mA
output current	I _O	V _O =0V to V _{CCO} ^[2]	-	±50	mA
supply current	I _{CC}	I _{CC(A)} or I _{CC(B)}	-	100	mA
ground current	I _{GND}	-	-100	-	mA
storage temperature	T _{stg}	-	-65	+150	°C
total power dissipation	P _{tot}	-	-	500	mW
soldering temperature	T _L	10s	250		°C

Note:

[1] The minimum input and minimum output voltage ratings may be exceeded if the input and output current ratings are observed.

[2] V_{CCO} is the supply voltage associated with the output.

[3] V_{CCO}+0.5V should not exceed 6.5V.



3.2、Recommended operating conditions

Parameter	Symbol	Conditions	Min.	Max.	Unit	
supply voltage A	$V_{CC(A)}$	-	1.2	3.6	V	
supply voltage B	$V_{CC(B)}$	-	1.65	5.5	V	
input voltage	V_I	-	0	5.5	V	
output voltage	V_O	Power-down or 3-state mode; $V_{CC(A)}=1.2V$ to $3.6V$; $V_{CC(B)}=1.65V$ to $5.5V$	A port	0	3.6	V
			B port	0	5.5	V
ambient temperature	T_{amb}	-	-40	+105	°C	
input transition rise and fall rate	$\Delta t/\Delta V$	$V_{CC(A)}=1.2V$ to $3.6V$; $V_{CC(B)}=1.65V$ to $5.5V$	-	40	ns/V	

Note:

[1] The A and B sides of an unused I/O pair must be held in the same state, both at V_{CC} or both at GND.

[2] $V_{CC(A)}$ must be less than or equal to $V_{CC(B)}$.

3.3、Electrical Characteristics

3.3.1、DC Characteristics 1

($T_{amb}=25^{\circ}C$, voltages are referenced to GND (ground=0V), unless otherwise specified)

Parameter	Symbol	Conditions	Min.	Typ.	Max.	Unit	
HIGH-level output voltage	V_{OH}	A port; $V_{CC(A)}=1.2V$; $I_O=-20\mu A$	-	1.1	-	V	
LOW-level output voltage	V_{OL}	A port; $V_{CC(A)}=1.2V$; $I_O=20\mu A$	-	0.09	-	V	
input leakage current	I_I	OE input; $V_I=0V$ to $3.6V$; $V_{CC(A)}=1.2V$ to $3.6V$; $V_{CC(B)}=1.65V$ to $5.5V$	-	-	± 1	μA	
OFF-state output current	I_{OZ}	A or B port; $V_O=0V$ or V_{CCO} ; $V_{CC(A)}=1.2V$ to $3.6V$; $V_{CC(B)}=1.65V$ to $5.5V$	-	-	± 1	μA	
power-off leakage current	I_{OFF}	A port; V_I or $V_O=0V$ to $3.6V$; $V_{CC(A)}=0V$; $V_{CC(B)}=0V$ to $5.5V$	-	-	± 1	μA	
		B port; V_I or $V_O=0V$ to $5.5V$; $V_{CC(B)}=0V$; $V_{CC(A)}=0V$ to $3.6V$	-	-	± 1	μA	
input capacitance	C_I	OE input; $V_{CC(A)}=1.2V$ to $3.6V$; $V_{CC(B)}=1.65V$ to $5.5V$	-	5	-	pF	
input/output capacitance	$C_{I/O}$	A port; $V_{CC(A)}=1.2V$ to $3.6V$; $V_{CC(B)}=1.65V$ to $5.5V$	-	5	-	pF	
		B port; $V_{CC(A)}=1.2V$ to $3.6V$; $V_{CC(B)}=1.65V$ to $5.5V$	-	8	-	pF	
supply current	$I_{CC(A)}$	$V_{CC(A)}=1.2V$	$V_{CC(B)}=1.8V$	-	10	-	nA
			$V_{CC(B)}=2.5V$	-	10	-	nA
			$V_{CC(B)}=3.3V$	-	10	-	nA
			$V_{CC(B)}=5.0V$	-	10	-	nA
		$V_{CC(A)}=1.5V$	$V_{CC(B)}=1.8V$	-	10	-	nA
			$V_{CC(B)}=2.5V$	-	10	-	nA



			$V_{CC(B)}=3.3V$	-	10	-	nA
			$V_{CC(B)}=5.0V$	-	10	-	nA
		$V_{CC(A)}=1.8V$	$V_{CC(B)}=1.8V$	-	10	-	nA
			$V_{CC(B)}=2.5V$	-	10	-	nA
			$V_{CC(B)}=3.3V$	-	10	-	nA
			$V_{CC(B)}=5.0V$	-	10	-	nA
		$V_{CC(A)}=2.5V$	$V_{CC(B)}=1.8V$	-	-	-	nA
			$V_{CC(B)}=2.5V$	-	10	-	nA
			$V_{CC(B)}=3.3V$	-	10	-	nA
			$V_{CC(B)}=5.0V$	-	10	-	nA
		$V_{CC(A)}=3.3V$	$V_{CC(B)}=1.8V$	-	-	-	nA
			$V_{CC(B)}=2.5V$	-	-	-	nA
	$V_{CC(B)}=3.3V$		-	10	-	nA	
	$V_{CC(B)}=5.0V$		-	10	-	nA	
	$I_{CC(B)}$	$V_{CC(A)}=1.2V$	$V_{CC(B)}=1.8V$	-	10	-	nA
			$V_{CC(B)}=2.5V$	-	10	-	nA
			$V_{CC(B)}=3.3V$	-	20	-	nA
			$V_{CC(B)}=5.0V$	-	1050	-	nA
		$V_{CC(A)}=1.5V$	$V_{CC(B)}=1.8V$	-	10	-	nA
			$V_{CC(B)}=2.5V$	-	10	-	nA
			$V_{CC(B)}=3.3V$	-	10	-	nA
			$V_{CC(B)}=5.0V$	-	150	-	nA
		$V_{CC(A)}=1.8V$	$V_{CC(B)}=1.8V$	-	10	-	nA
			$V_{CC(B)}=2.5V$	-	10	-	nA
			$V_{CC(B)}=3.3V$	-	10	-	nA
			$V_{CC(B)}=5.0V$	-	350	-	nA
		$V_{CC(A)}=2.5V$	$V_{CC(B)}=1.8V$	-	-	-	nA
			$V_{CC(B)}=2.5V$	-	10	-	nA
$V_{CC(B)}=3.3V$			-	10	-	nA	
$V_{CC(B)}=5.0V$			-	40	-	nA	
$V_{CC(A)}=3.3V$		$V_{CC(B)}=1.8V$	-	-	-	nA	
		$V_{CC(B)}=2.5V$	-	-	-	nA	
		$V_{CC(B)}=3.3V$	-	10	-	nA	
		$V_{CC(B)}=5.0V$	-	10	-	nA	



3.3.2、DC Characteristics 2

($T_{amb}=-40^{\circ}\text{C}$ to $+85^{\circ}\text{C}$, voltages are referenced to GND (ground=0V), unless otherwise specified)

Parameter	Symbol	Conditions		Min.	Typ.	Max.	Unit	
HIGH-level input	V_{IH}	A or B port and OE input	$V_{CC(A)}=1.2\text{V to }3.6\text{V};$ $V_{CC(B)}=1.65\text{V to }5.5\text{V}$	$0.65V_{CCI}$	-	-	V	
LOW-level input	V_{IL}	A or B port and OE input	$V_{CC(A)}=1.2\text{V to }3.6\text{V};$ $V_{CC(B)}=1.65\text{V to }5.5\text{V}$	-	-	$0.35V_{CCI}$	V	
HIGH-level output voltage	V_{OH}	A or B port; $I_o=-20\mu\text{A};$	A port; $V_{CC(A)}=1.4\text{V to }3.6\text{V};$	$V_{CCO}-0.4$	-	-	V	
			B port; $V_{CC(B)}=1.65\text{V to }5.5\text{V}$	$V_{CCO}-0.4$	-	-	V	
LOW-level output voltage	V_{OL}	A or B port; $I_o=20\mu\text{A};$	A port; $V_{CC(A)}=1.4\text{V to }3.6\text{V};$	-	-	0.4	V	
			B port; $V_{CC(B)}=1.65\text{V to }5.5\text{V}$	-	-	0.4	V	
input leakage current	I_I	OE input; $V_I=0\text{V to }3.6\text{V};$ $V_{CC(A)}=1.2\text{V to }3.6\text{V};$ $V_{CC(B)}=1.65\text{V to }5.5\text{V}$		-	-	± 2	μA	
OFF-state output current	I_{OZ}	A or B port; $V_O=0\text{V or }V_{CCO};$ $V_{CC(A)}=1.2\text{V to }3.6\text{V};$ $V_{CC(B)}=1.65\text{V to }5.5\text{V}$		-	-	± 2	μA	
power-off leakage current	I_{OFF}	A port; V_I or $V_O=0\text{V to }3.6\text{V};$ $V_{CC(A)}=0\text{V}; V_{CC(B)}=0\text{V to }5.5\text{V}$		-	-	± 2	μA	
		B port; V_I or $V_O=0\text{V to }5.5\text{V};$ $V_{CC(B)}=0\text{V}; V_{CC(A)}=0\text{V to }3.6\text{V}$		-	-	± 2	μA	
supply current	I_{CC}	$V_I=0\text{V or }V_{CCI}; I_o=0\text{A}$						
		$I_{CC(A)}$	OE=LOW; $V_{CC(A)}=1.4\text{V to }3.6\text{V};$ $V_{CC(B)}=1.65\text{V to }5.5\text{V}$		-	-	5	μA
			OE=HIGH; $V_{CC(A)}=1.4\text{V to }3.6\text{V};$ $V_{CC(B)}=1.65\text{V to }5.5\text{V}$		-	-	5	μA
			$V_{CC(A)}=3.6\text{V}; V_{CC(B)}=0\text{V}$		-	-	2	μA
			$V_{CC(A)}=0\text{V}; V_{CC(B)}=5.5\text{V}$		-	-	-2	μA
		$I_{CC(B)}$	OE=LOW; $V_{CC(A)}=1.4\text{V to }3.6\text{V};$ $V_{CC(B)}=1.65\text{V to }5.5\text{V}$		-	-	5	μA
			OE=HIGH; $V_{CC(A)}=1.4\text{V to }3.6\text{V};$ $V_{CC(B)}=1.65\text{V to }5.5\text{V}$		-	-	13	μA
			$V_{CC(A)}=3.6\text{V}; V_{CC(B)}=0\text{V}$		-	-	-2	μA
			$V_{CC(A)}=0\text{V}; V_{CC(B)}=5.5\text{V}$		-	-	2	μA
		$I_{CC(A)}+I_{CC(B)}$		$V_{CC(A)}=1.4\text{V to }3.6\text{V};$ $V_{CC(B)}=1.65\text{V to }5.5\text{V}$		-	-	15



Note:

[1] V_{CCI} is the supply voltage associated with the input.

[2] V_{CCO} is the supply voltage associated with the output.

3.3.3、DC Characteristics 3

($T_{amb}=-40^{\circ}\text{C}$ to $+105^{\circ}\text{C}$, voltages are referenced to GND (ground=0V), unless otherwise specified)

Parameter	Symbol	Conditions		Min.	Typ.	Max.	Unit	
HIGH-level input voltage	V_{IH}	A or B port and OE input	$V_{CC(A)}=1.2\text{V to }3.6\text{V};$ $V_{CC(B)}=1.65\text{V to }5.5\text{V}$	$0.65V_{CCI}$	-	-	V	
LOW-level input voltage	V_{IL}	A or B port and OE input	$V_{CC(A)}=1.2\text{V to }3.6\text{V};$ $V_{CC(B)}=1.65\text{V to }5.5\text{V}$	-	-	$0.35V_{CCI}$	V	
HIGH-level output voltage	V_{OH}	A or B port; $I_o=-20\mu\text{A};$	A port; $V_{CC(A)}=1.4\text{V to }3.6\text{V};$	$V_{CCO}-0.4$	-	-	V	
			B port; $V_{CC(B)}=1.65\text{V to }5.5\text{V}$	$V_{CCO}-0.4$	-	-	V	
LOW-level output voltage	V_{OL}	A or B port; $I_o=20\mu\text{A};$	A port; $V_{CC(A)}=1.4\text{V to }3.6\text{V};$	-	-	0.4	V	
			B port; $V_{CC(B)}=1.65\text{V to }5.5\text{V}$	-	-	0.4	V	
input leakage current	I_I	OE input; $V_I=0\text{V to }3.6\text{V};$ $V_{CC(A)}=1.2\text{V to }3.6\text{V};$ $V_{CC(B)}=1.65\text{V to }5.5\text{V}$		-	-	± 5	μA	
OFF-state output current	I_{OZ}	A or B port; $V_O=0\text{V or }V_{CCO};$ $V_{CC(A)}=1.2\text{V to }3.6\text{V};$ $V_{CC(B)}=1.65\text{V to }5.5\text{V}$		-	-	± 10	μA	
power-off leakage current	I_{OFF}	A port; V_I or $V_O=0\text{V to }3.6\text{V};$ $V_{CC(A)}=0\text{V}; V_{CC(B)}=0\text{V to }5.5\text{V}$		-	-	± 10	μA	
		B port; V_I or $V_O=0\text{V to }5.5\text{V};$ $V_{CC(B)}=0\text{V}; V_{CC(A)}=0\text{V to }3.6\text{V}$		-	-	± 10	μA	
supply current	I_{CC}	$V_I=0\text{V or }V_{CCI}; I_o=0\text{A}$						
		$I_{CC(A)}$	OE=LOW; $V_{CC(A)}=1.4\text{V to }3.6\text{V};$ $V_{CC(B)}=1.65\text{V to }5.5\text{V}$		-	-	15	μA
			OE=HIGH; $V_{CC(A)}=1.4\text{V to }3.6\text{V};$ $V_{CC(B)}=1.65\text{V to }5.5\text{V}$		-	-	20	μA
			$V_{CC(A)}=3.6\text{V}; V_{CC(B)}=0\text{V}$		-	-	15	μA
			$V_{CC(A)}=0\text{V}; V_{CC(B)}=5.5\text{V}$		-	-	-15	μA
		$I_{CC(B)}$	OE=LOW; $V_{CC(A)}=1.4\text{V to }3.6\text{V};$ $V_{CC(B)}=1.65\text{V to }5.5\text{V}$		-	-	20	μA
OE=HIGH; $V_{CC(A)}=1.4\text{V to }3.6\text{V};$ $V_{CC(B)}=1.65\text{V to }5.5\text{V}$			-	-	65	μA		



			$V_{CC(A)}=3.6V; V_{CC(B)}=0V$	-	-	-15	uA
			$V_{CC(A)}=0V; V_{CC(B)}=5.5V$	-	-	15	uA
		$I_{CC(A)}+I_{CC(B)}$	$V_{CC(A)}=1.4V \text{ to } 3.6V;$ $V_{CC(B)}=1.65V \text{ to } 5.5V$	-	-	70	uA

Note:

[1] V_{CCI} is the supply voltage associated with the input.

[2] V_{CCO} is the supply voltage associated with the output.

3.3.4、AC Characteristics 1^[1]

($T_{amb}=25^{\circ}C$, $V_{CC(A)}=1.2V$, voltages are referenced to GND (ground=0V), unless otherwise specified)

Parameter	Symbol	Conditions	$V_{CC(B)}$				Unit
			1.8V	2.5V	3.3V	5.0V	
propagation delay	t_{pd}	A to B	6.9	5.6	5.1	4.9	ns
		B to A	7.1	5.8	5.0	5.1	ns
enable time	t_{en}	OE to A, B	500	500	500	500	ns
disable time	t_{dis}	OE to A; no external load ^[2]	14.5	14.5	14.5	14.5	ns
		OE to B; no external load ^[2]	12.2	10.1	9.3	8.7	ns
		OE to A; see Figure 4	87	87	87	87	ns
		OE to B; see Figure 4	98	71	101	68	ns
transition time	t_t	A port	4.2	4.2	4.2	4.2	ns
		B port	2.7	2.0	1.7	1.5	ns
output skew time	$t_{sk(o)}$	between channels ^[3]	1.4	0.7	0.6	0.5	ns
pulse width	t_w	data inputs	13	13	13	13	ns
data rate	f_{data}	-	60	60	60	60	Mbps

Note:

[1] t_{pd} is the same as t_{PLH} and t_{PHL} .

t_{en} is the same as t_{PZL} and t_{PZH} .

t_{dis} is the same as t_{PLZ} and t_{PHZ} .

t_t is the same as t_{THL} and t_{TLH}

[2] These values are guaranteed by design.

[3] Skew between any two outputs of the same package switching in the same direction.



3.3.5、AC Characteristics 2^[1]

(T_{amb}=-40°C to +85°C, voltages are referenced to GND (ground=0V), unless otherwise specified)

Parameter	Symbol	Conditions	V _{CC(B)}								Unit
			1.8V±0.15V		2.5V±0.2V		3.3V±0.3V		5.0V±0.5V		
			Min.	Max.	Min.	Max.	Min.	Max.	Min.	Max.	
V_{CC(A)}=1.5V±0.1V											
propagation delay	t _{pd}	A to B	1.4	11.4	1.2	8.0	1.1	6.7	0.8	6.2	ns
		B to A	0.9	10.8	0.7	8.3	0.4	7.8	0.3	7.2	ns
enable time	t _{en}	OE to A, B	-	1.0	-	1.0	-	1.0	-	1.0	ns
disable time	t _{dis}	OE to A; no external load ^[2]	3.7	18.0	3.7	18.0	3.7	18.0	3.7	18.0	ns
		OE to B; no external load ^[2]	3.7	19.5	3.5	15.0	3.0	13.0	1.7	11.5	ns
		OE to A; see Figure 4	-	100	-	100	-	100	-	100	ns
		OE to B; see Figure 4	-	150	-	105	-	150	-	105	ns
transition time	t _t	A port	0.8	6.5	0.8	6.3	0.8	6.3	0.8	6.3	ns
		B port	1.0	7.3	0.7	4.9	0.7	4.6	0.6	4.6	ns
output skew time	t _{sk(o)}	between channels ^[3]	-	2.6	-	1.9	-	1.6	-	1.3	ns
pulse width	t _w	data inputs	20	-	20	-	20	-	20	-	ns
data rate	f _{data}	-	-	50	-	50	-	50	-	50	Mbps
V_{CC(A)}=1.8V±0.15V											
propagation delay	t _{pd}	A to B	1.6	10.8	1.4	7.9	1.3	6.2	1.2	5.3	ns
		B to A	1.5	9.2	1.3	7.2	0.8	6.3	0.5	5.8	ns
enable time	t _{en}	OE to A, B	-	1.0	-	1.0	-	1.0	-	1.0	ns
disable time	t _{dis}	OE to A; no external load ^[2]	2.9	13.0	2.9	13.0	2.9	13.0	2.9	13.0	ns
		OE to B; no external load ^[2]	4.0	18.0	3.0	13.0	2.5	11.5	1.5	9.5	ns
		OE to A; see Figure 4	-	120	-	120	-	120	-	120	ns
		OE to B; see Figure 4	-	150	-	105	-	150	-	105	ns
transition time	t _t	A port	0.7	5.1	0.7	5.0	1.0	5.0	0.7	5.0	ns
		B port	1.0	7.3	0.7	5.0	0.7	3.9	0.6	3.8	ns
output skew	t _{sk(o)}	between channels ^[3]	-	0.8	-	0.7	-	0.6	-	0.6	ns
pulse width	t _w	data inputs	19	-	17	-	17	-	17	-	ns
data rate	f _{data}	-	-	52	-	60	-	60	-	60	Mbps
V_{CC(A)}=2.5V±0.2V											
propagation delay	t _{pd}	A to B	-	-	1.1	7.5	1.0	5.2	0.9	4.2	ns
		B to A	-	-	1.0	5.6	0.6	5.0	0.3	4.2	ns
enable time	t _{en}	OE to A, B	-	-	-	1.0	-	1.0	-	1.0	ns
disable time	t _{dis}	OE to A; no external load ^[2]	-	-	2.5	8.0	2.5	8.0	2.5	8.0	ns
		OE to B; no external load ^[2]	-	-	2.0	11.5	2.8	9.5	1.2	8.0	ns
		OE to A; see Figure 4	-	-	-	85	-	85	-	85	ns
		OE to B; see Figure 4	-	-	-	105	-	150	-	100	ns



transition time	t_t	A port	-	-	0.8	3.6	0.6	3.6	0.5	3.5	ns
		B port	-	-	0.6	4.9	0.7	3.9	0.6	3.2	ns
output skew time	$t_{sk(o)}$	between channels ^[3]	-	-	-	0.4	-	0.3	-	0.3	ns
pulse width	t_w	data inputs	-	-	13	-	10	-	10	-	ns
data rate	f_{data}	-	-	-	-	80	-	100	-	100	Mbps
$V_{CC(A)}=3.3V \pm 0.3V$											
propagation delay	t_{pd}	A to B	-	-	-	-	0.9	4.8	0.8	3.9	ns
		B to A	-	-	-	-	0.5	4.3	0.2	3.7	ns
enable time	t_{en}	OE to A, B	-	-	-	-	-	1.0	-	1.0	ns
disable time	t_{dis}	OE to A; no external load ^[2]	-	-	-	-	2.1	6.5	2.0	6.5	ns
		OE to B; no external load ^[2]	-	-	-	-	1.0	8.5	1.7	7.0	ns
		OE to A; see Figure 4	-	-	-	-	-	125	-	125	ns
		OE to B; see Figure 4	-	-	-	-	-	150	-	100	ns
transition time	t_t	A port	-	-	-	-	0.5	3.0	0.5	3.0	ns
		B port	-	-	-	-	0.7	3.9	0.6	3.2	ns
output skew time	$t_{sk(o)}$	between channels ^[3]	-	-	-	-	-	0.4	-	0.3	ns
pulse width	t_w	data inputs	-	-	-	-	9.0	-	9.0	-	ns
data rate	f_{data}	-	-	-	-	-	-	110	-	110	Mbps

Note:

[1] t_{pd} is the same as t_{PLH} and t_{PHL} .

t_{en} is the same as t_{PZL} and t_{PZH} .

t_{dis} is the same as t_{PLZ} and t_{PHZ} .

t_t is the same as t_{THL} and t_{TLH} .

[2] These values are guaranteed by design.

[3] Skew between any two outputs of the same package switching in the same direction.



3.3.6. AC Characteristics 3^[1]

(T_{amb}=-40°C to +105°C, voltages are referenced to GND (ground=0V), unless otherwise specified)

Parameter	Symbol	Conditions	V _{CC(B)}								Unit
			1.8V±0.15V		2.5V±0.2V		3.3V±0.3V		5.0V±0.5V		
			Min.	Max.	Min.	Max.	Min.	Max.	Min.	Max.	
V_{CC(A)}=1.5V±0.1V											
propagation delay	t _{pd}	A to B	1.4	11.9	1.2	9.0	1.1	7.3	0.8	6.5	ns
		B to A	0.9	10.9	0.7	8.8	0.4	7.9	0.3	7.7	ns
enable time	t _{en}	OE to A, B	-	1.0	-	1.0	-	1.0	-	1.0	ns
disable time	t _{dis}	OE to A; no external load ^[2]	3.7	19.0	3.7	19.0	3.7	19.0	3.7	19.0	ns
		OE to B; no external load ^[2]	3.7	22.00	3.5	16.0	3.0	14.0	1.7	12.5	ns
		OE to A; see Figure 4	-	105	-	105	-	105	-	105	ns
		OE to B; see Figure 4	-	155	-	110	-	155	-	105	ns
transition time	t _t	A port	0.8	8.1	0.8	7.9	0.8	7.9	0.8	7.9	ns
		B port	1.0	9.1	0.7	6.1	0.7	5.8	0.6	5.8	ns
output skew time	t _{sk(o)}	between channels ^[3]	-	2.6	-	1.9	-	1.6	-	1.3	ns
pulse width	t _w	data inputs	25	-	25	-	25	-	25	-	ns
data rate	f _{data}	-	-	40	-	40	-	40	-	40	Mbps
V_{CC(A)}=1.8V±0.15V											
propagation delay	t _{pd}	A to B	1.6	11.1	1.4	8.1	1.3	6.5	1.2	5.5	ns
		B to A	1.5	9.6	1.2	7.8	0.8	6.6	0.5	6.3	ns
enable time	t _{en}	OE to A, B	-	1.0	-	1.0	-	1.0	-	1.0	ns
disable time	t _{dis}	OE to A; no external load ^[2]	2.9	14.0	2.9	14.0	2.9	14.0	2.9	14.0	ns
		OE to B; no external load ^[2]	4.0	20.5	3.0	14.5	2.5	12.5	1.5	10.5	ns
		OE to A; see Figure 4	-	125	-	125	-	125	-	125	ns
		OE to B; see Figure 4	-	150	-	105	-	150	-	105	ns
transition time	t _t	A port	0.8	6.4	0.7	6.3	1.0	6.3	0.7	6.3	ns
		B port	1.0	9.1	0.7	6.3	0.7	4.9	0.6	4.8	ns
output skew	t _{sk(o)}	between channels ^[3]	-	0.8	-	0.7	-	0.6	-	0.6	ns
pulse width	t _w	data inputs	22	-	18	-	18	-	18	-	ns
data rate	f _{data}	-	-	45	-	55	-	55	-	55	Mbps
V_{CC(A)}=2.5V±0.2V											
propagation delay	t _{pd}	A to B	-	-	1.1	7.6	1.0	5.8	0.9	4.4	ns
		B to A	-	-	1.0	7.1	0.6	5.1	0.3	4.8	ns
enable time	t _{en}	OE to A, B	-	-	-	1.0	-	1.0	-	1.0	ns
disable time	t _{dis}	OE to A; no external load ^[2]	-	-	2.5	9.0	2.5	9.0	2.5	9.0	ns
		OE to B; no external load ^[2]	-	-	2.0	13.0	2.8	10.5	1.2	8.5	ns
		OE to A; see Figure 4	-	-	-	85	-	85	-	85	ns
		OE to B; see Figure 4	-	-	-	105	-	150	-	100	ns



transition time	t_t	A port	-	-	0.8	4.5	0.6	4.5	0.5	4.4	ns
		B port	-	-	0.6	6.1	0.7	4.9	0.6	4.0	ns
output skew time	$t_{sk(o)}$	between channels ^[3]	-	-	-	0.4	-	0.3	-	0.3	ns
pulse width	t_w	data inputs	-	-	13	-	13	-	13	-	ns
data rate	f_{data}	-	-	-	-	75	-	80	-	80	Mbps
$V_{CC(A)}=3.3V \pm 0.3V$											
propagation delay	t_{pd}	A to B	-	-	-	-	0.9	5.3	0.8	4.2	ns
		B to A	-	-	-	-	0.5	4.4	0.2	4.0	ns
enable time	t_{en}	OE to A, B	-	-	-	-	-	1.0	-	1.0	ns
disable time	t_{dis}	OE to A; no external load ^[2]	-	-	-	-	2.1	7.0	2.0	7.0	ns
		OE to B; no external load ^[2]	-	-	-	-	1.0	9.5	1.7	7.5	ns
		OE to A; see Figure 4	-	-	-	-	-	125	-	125	ns
		OE to B; see Figure 4	-	-	-	-	-	150	-	100	ns
transition time	t_t	A port	-	-	-	-	0.5	3.8	0.5	3.8	ns
		B port	-	-	-	-	0.7	4.9	0.6	4.0	ns
output skew time	$t_{sk(o)}$	between channels ^[3]	-	-	-	-	-	0.4	-	0.3	ns
pulse width	t_w	data inputs	-	-	-	-	10	-	10	-	ns
data rate	f_{data}	-	-	-	-	-	-	100	-	100	Mbps

Note:

[1] t_{pd} is the same as t_{PLH} and t_{PHL} .

t_{en} is the same as t_{PZL} and t_{PZH} .

t_{dis} is the same as t_{PLZ} and t_{PHZ} .

t_t is the same as t_{THL} and t_{TLH} .

[2] These values are guaranteed by design.

[3] Skew between any two outputs of the same package switching in the same direction.



3.3.7、 Typical Power Dissipation Capacitance

($T_{amb}=25^{\circ}C$, voltages are referenced to GND (ground=0V), unless otherwise specified)

Parameter	Symbol	Conditions	$V_{CC(A)}$								Unit
			1.2V	1.2V	1.5V	1.8V	2.5V	2.5V	3.3V		
			$V_{CC(B)}$								
			1.8V	5.0V	1.8V	1.8V	2.5V	5.0V	3.3V to 5.0V		
power dissipation capacitance	C_{PD}	outputs enabled; $OE=V_{CC(A)}$	A port: (direction A to B)	7.0	6.5	7.2	7.6	7.6	7.0	8.0	pF
			A port: (direction B to A)	9.6	10.0	9.8	10.1	10.5	10.3	10.8	pF
			B port: (direction A to B)	23.3	28.7	23.1	23.1	23.7	25.9	25.9	pF
			B port: (direction B to A)	17.8	25.5	17.1	16.8	17.4	21.0	20.5	pF
		outputs disabled; $OE=GND$	A port: (direction A to B)	0.2	0.2	0.2	0.3	0.3	0.3	0.3	pF
			A port: (direction B to A)	0.01	0.01	0.01	0.01	0.01	0.01	0.01	pF
			B port: (direction A to B)	0.01	0.02	0.01	0.01	0.01	0.01	0.01	pF
			B port: (direction B to A)	0.2	0.3	0.2	0.2	0.3	0.3	0.3	pF

Note:

[1] C_{PD} is used to determine the dynamic power dissipation (P_D in uW).

$$P_D = C_{PD} \times V_{CC}^2 \times f_i \times N + \sum(C_L \times V_{CC}^2 \times f_o) \text{ where:}$$

f_i =input frequency in MHz; f_o =output frequency in MHz;

C_L =load capacitance in pF; V_{CC} =supply voltage in V;

N =number of inputs switching; $\sum(C_L \times V_{CC}^2 \times f_o)$ =sum of the outputs.

[2] $f_i=10MHz$; $V_I=GND$ to V_{CC} ; $t_r=t_f=1ns$; $C_L=0pF$; $R_L=\infty\Omega$.



4、Testing Circuit

4.1、AC Testing Circuit

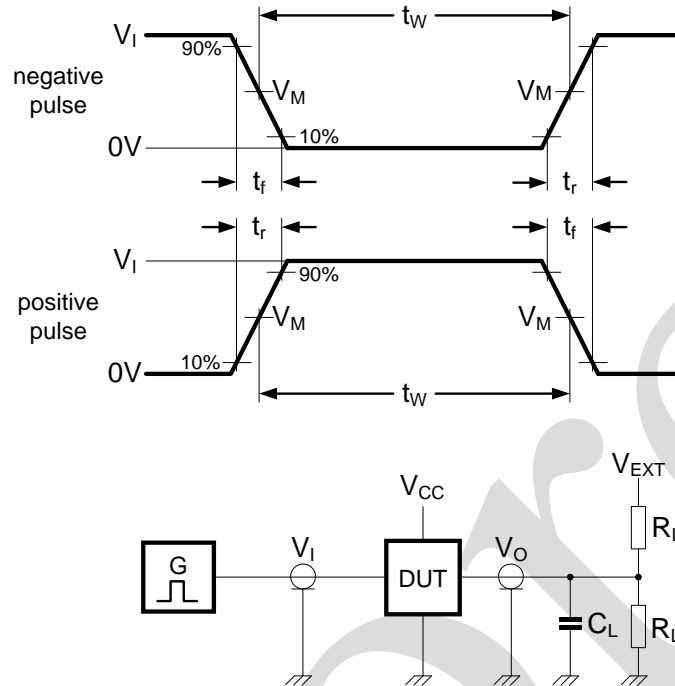


Figure 2. Test circuit for measuring switching times

All input pulses are supplied by generators having the following characteristics:

$PRR \leq 10\text{MHz}$; $Z_0 = 50\Omega$; $dV/dt \geq 1.0\text{V/ns}$.

R_L = Load resistance.

C_L = Load capacitance including jig and probe capacitance.

V_{EXT} = External voltage for measuring switching times.



4.2、AC Testing Waveforms

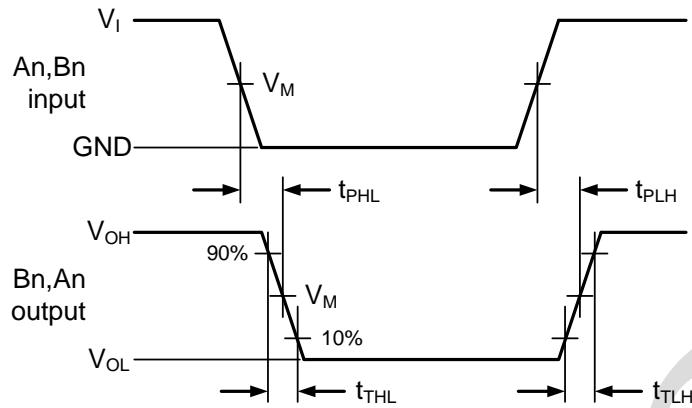


Figure 3. The data input (An, Bn) to data output (Bn, An) propagation delay times

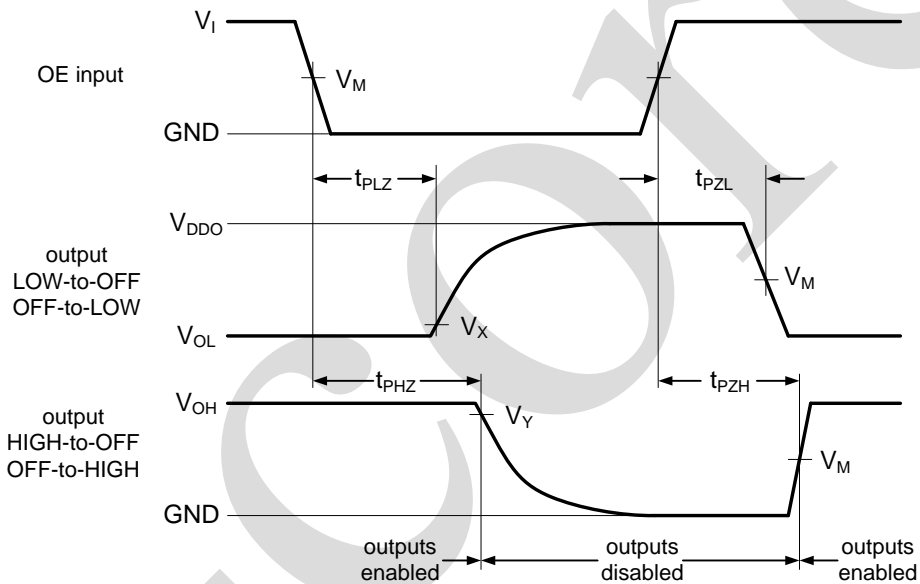


Figure 4. 3-state enable and disable times

4.3、Measurement Points

Supply voltage	Input	Output		
V_{CC0}	V_M	V_M	V_X	V_Y
1.2V	$0.5V_{CCI}$	$0.5V_{CC0}$	$V_{OL}+0.1V$	$V_{OH}-0.1V$
$1.5V \pm 0.1V$	$0.5V_{CCI}$	$0.5V_{CC0}$	$V_{OL}+0.1V$	$V_{OH}-0.1V$
$1.8V \pm 0.15V$	$0.5V_{CCI}$	$0.5V_{CC0}$	$V_{OL}+0.15V$	$V_{OH}-0.15V$
$2.5V \pm 0.2V$	$0.5V_{CCI}$	$0.5V_{CC0}$	$V_{OL}+0.15V$	$V_{OH}-0.15V$
$3.3V \pm 0.3V$	$0.5V_{CCI}$	$0.5V_{CC0}$	$V_{OL}+0.3V$	$V_{OH}-0.3V$
$5.0V \pm 0.5V$	$0.5V_{CCI}$	$0.5V_{CC0}$	$V_{OL}+0.3V$	$V_{OH}-0.3V$

Note:

[1] V_{CCI} is the supply voltage associated with the input.

[2] V_{CC0} is the supply voltage associated with the output.



4.4、 Test Data

Supply voltage		Input		Load		V _{EXT}		
V _{CC(A)}	V _{CC(B)}	V _I	Δt/ΔV	C _L	R _L	t _{PLH} , t _{PHL}	t _{PZH} , t _{PHZ}	t _{PZL} , t _{PLZ}
1.2V to 3.6V	1.65V to 5.5V	V _{CCI}	≤1.0ns/V	15pF	50kΩ, 1MΩ	open	open	2V _{CCO}

Note:

[1] V_{CCI} is the supply voltage associated with the input.

[2] For measuring data rate, pulse width, propagation delay and output rise and fall measurements, R_L=1MΩ. For measuring enable and disable times, R_L=50KΩ.

[3] V_{CCO} is the supply voltage associated with the output.

5、 Typical Application Circuit And Application Note

5.1、 Applications

Voltage level-translation applications. The AiPTB010X can be used to interface between devices or systems operating at different supply voltages. See Figure 5 for a typical operating circuit using the AiPTB010X.

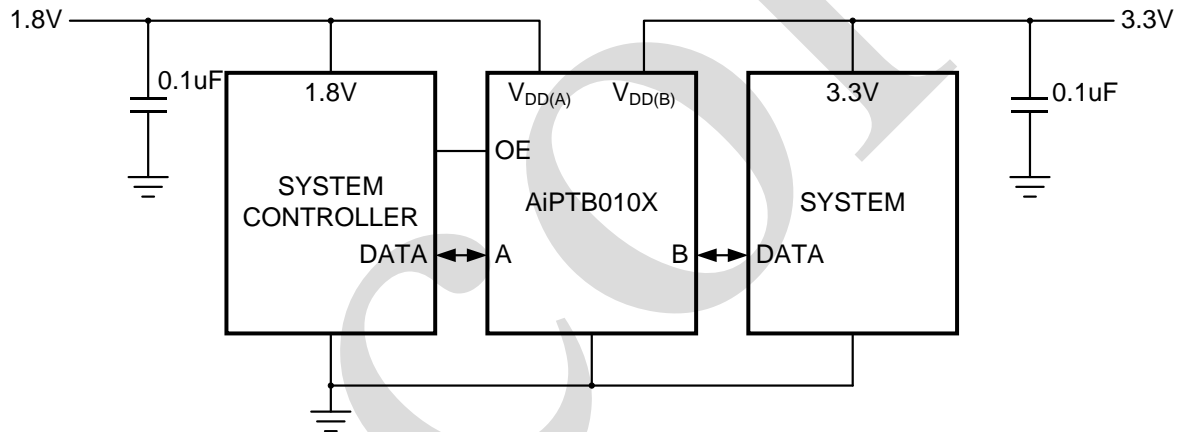


Figure 5. Typical operating circuit

5.2、 Architecture

The architecture of the AiPTB010X is shown in Figure 6. The device does not require an extra input signal to control the direction of data flow from A to B or from B to A. In a static state, the output drivers of the AiPTB010X can maintain a defined output level, but the output architecture is designed to be weak, so that they can be overdriven by an external driver when data on the bus starts flowing in the opposite direction. The output one shots detect rising or falling edges on the A or B ports. During a rising edge, the one shots turn on the PMOS transistors (T1, T3) for a short duration, accelerating the low-to-high transition. Similarly, during a falling edge, the one shots turn on the NMOS transistors (T2, T4) for a short duration, accelerating the high-to-low transition. During output transitions the typical output impedance is 70Ω at V_{CCO}=1.2V to 1.8V, 50 Ω at V_{CCO}=1.8V to 3.3V and 40Ω at V_{CCO}=3.3V to 5.0V.

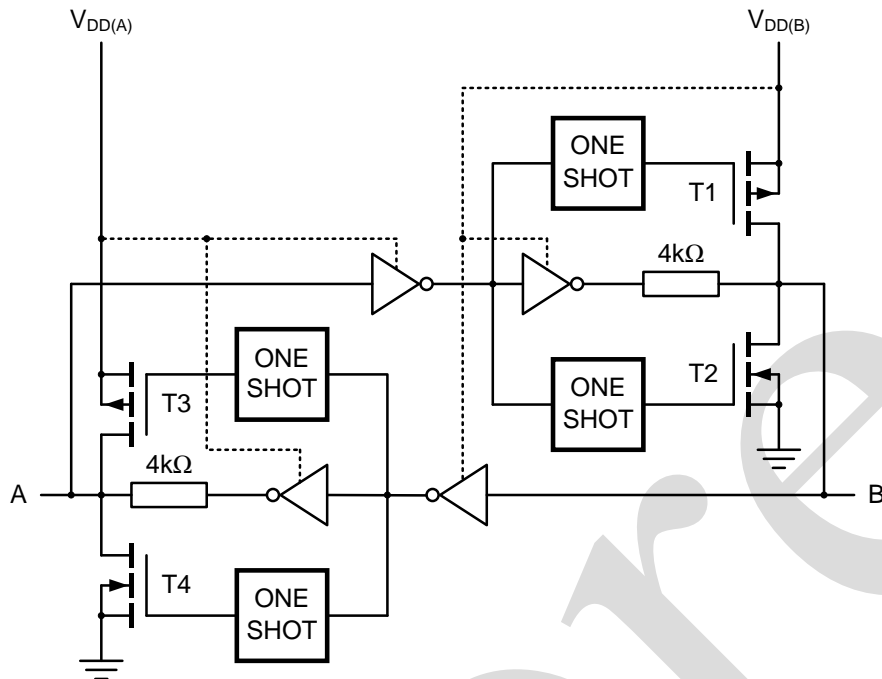
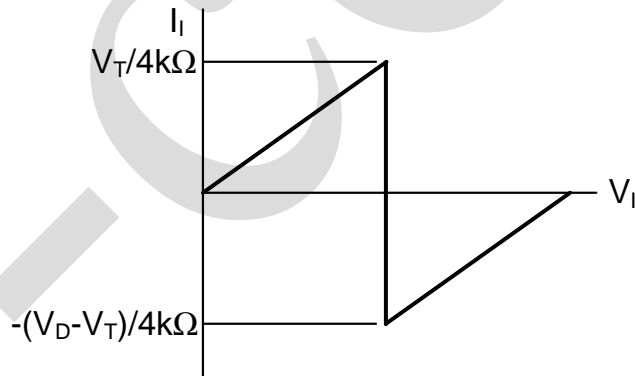


Figure 6. Architecture of AiPTB010X I/O cell (one channel)

5.3. Input Driver Requirements

For correct operation, the device driving the data I/Os of the AiPTB010X must have a minimum drive capability of $\pm 2\text{mA}$. See Figure 7 for a plot of typical input current versus input voltage.



V_T : input threshold voltage of the AiPTB010X (typically $V_{CC}/2$).

V_D : supply voltage of the external driver.

Figure 7. Typical input current versus input voltage graph



5.4、 Power Up

During operation $V_{CC(A)}$ must never be higher than $V_{CC(B)}$, however during power-up $V_{CC(A)} \geq V_{CC(B)}$ does not damage the device, so either power supply can be ramped up first. There is no special power-up sequencing required. The AiPTB010X includes circuitry that disables all output ports when either $V_{CC(A)}$ or $V_{CC(B)}$ is switched off.

5.5、 Enable And Disable

An output enable input (OE) is used to disable the device. Setting OE=LOW causes all I/Os to assume the high-impedance OFF-state. The disable time (t_{dis} with no external load) indicates the delay between when OE goes LOW and when outputs actually become disabled. The enable time (t_{en}) indicates the amount of time the user must allow for one one-shot circuitry to become operational after OE is taken HIGH. To ensure the high-impedance OFF-state during power-up or power-down, pin OE should be tied to GND through a pull-down resistor, the minimum value of the resistor is determined by the current-sourcing capability of the driver.

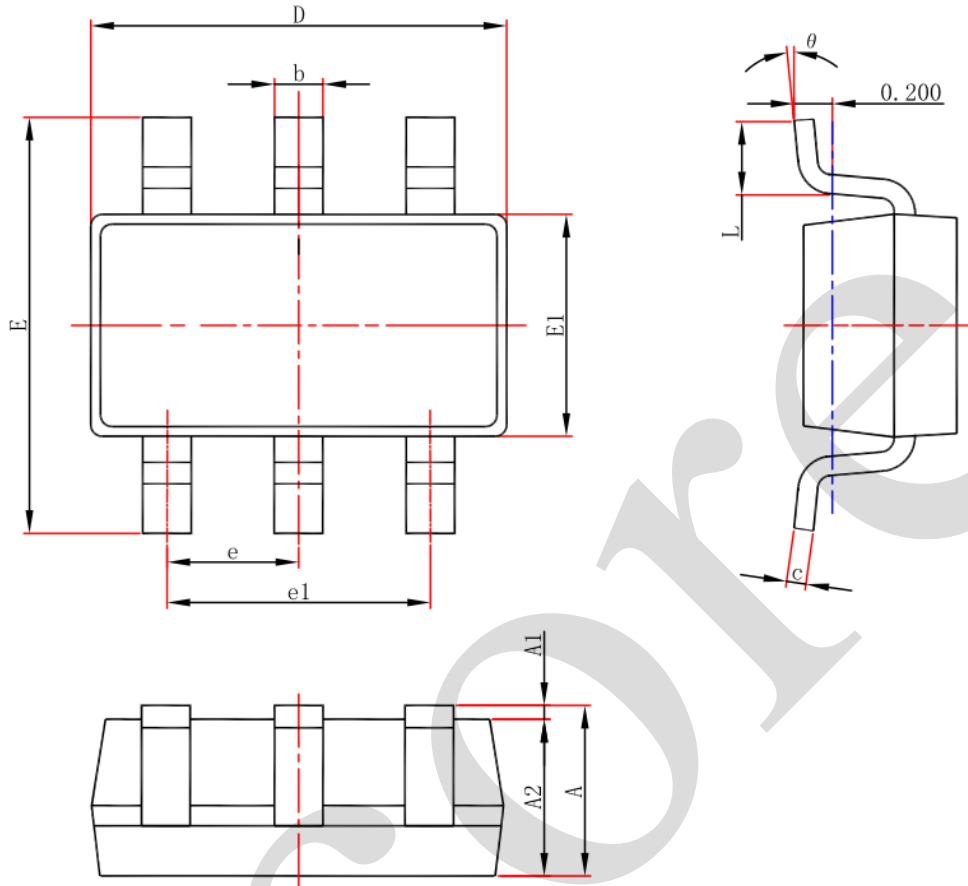
5.6、 Pull-up Or Pull-down Resistors On I/O Lines

As mentioned previously the AiPTB010X is designed with low static drive strength to drive capacitive loads of up to 70pF. To avoid output contention issues, any pull-up or pull-down resistors used must be kept higher than 50k Ω . For this reason the AiPTB010X is not recommended for use in open drain driver applications such as 1-Wire or I²C. For these applications, the AiPTB010X level translator is recommended.



6、Package Information

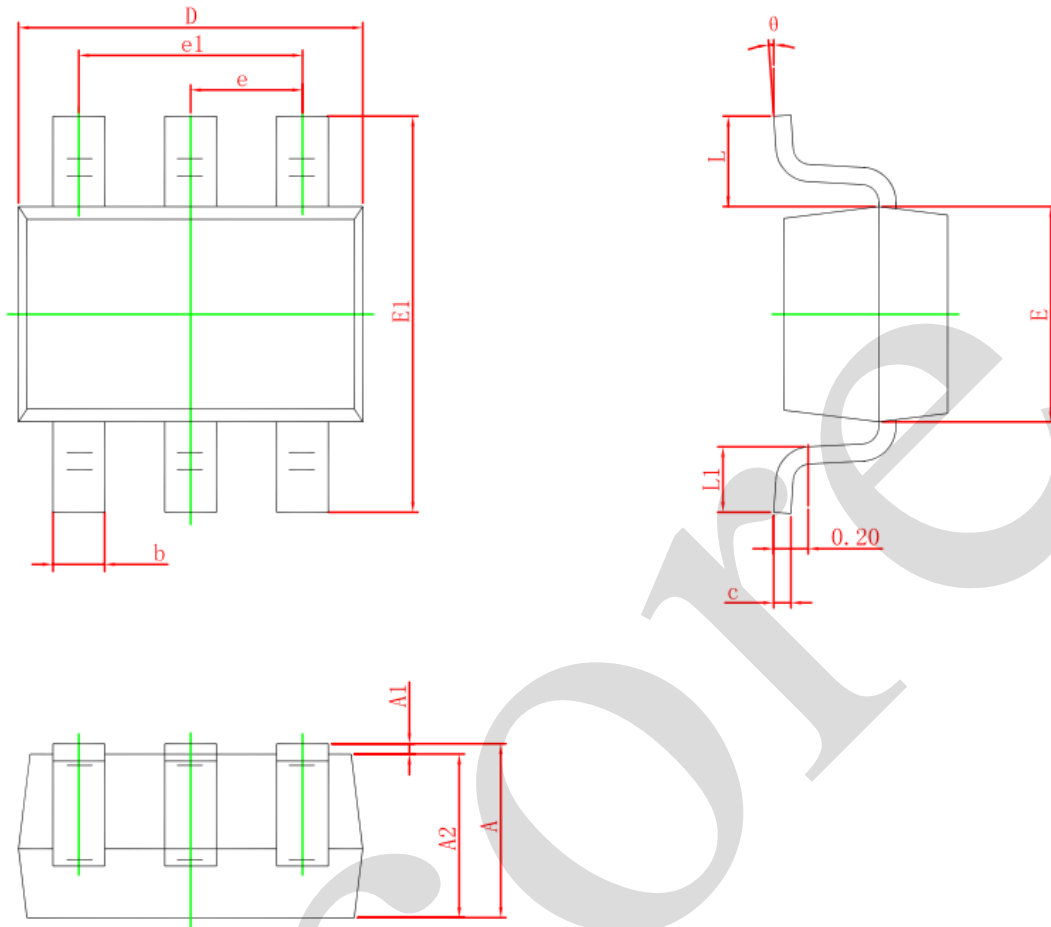
6.1、SOT23-6



Symbol	Dimensions In Millimeters		Dimensions In Inches	
	Min.	Max.	Min.	Max.
A	1.050	1.250	0.041	0.049
A1	0.000	0.100	0.000	0.004
A2	1.050	1.150	0.041	0.045
b	0.300	0.500	0.012	0.020
c	0.100	0.200	0.004	0.008
D	2.820	3.020	0.111	0.119
E1	1.500	1.700	0.059	0.067
E	2.650	2.950	0.104	0.116
e	0.950(BSC)		0.037(BSC)	
e1	1.800	2.000	0.071	0.079
L	0.300	0.600	0.012	0.024
θ	0°	8°	0°	8°



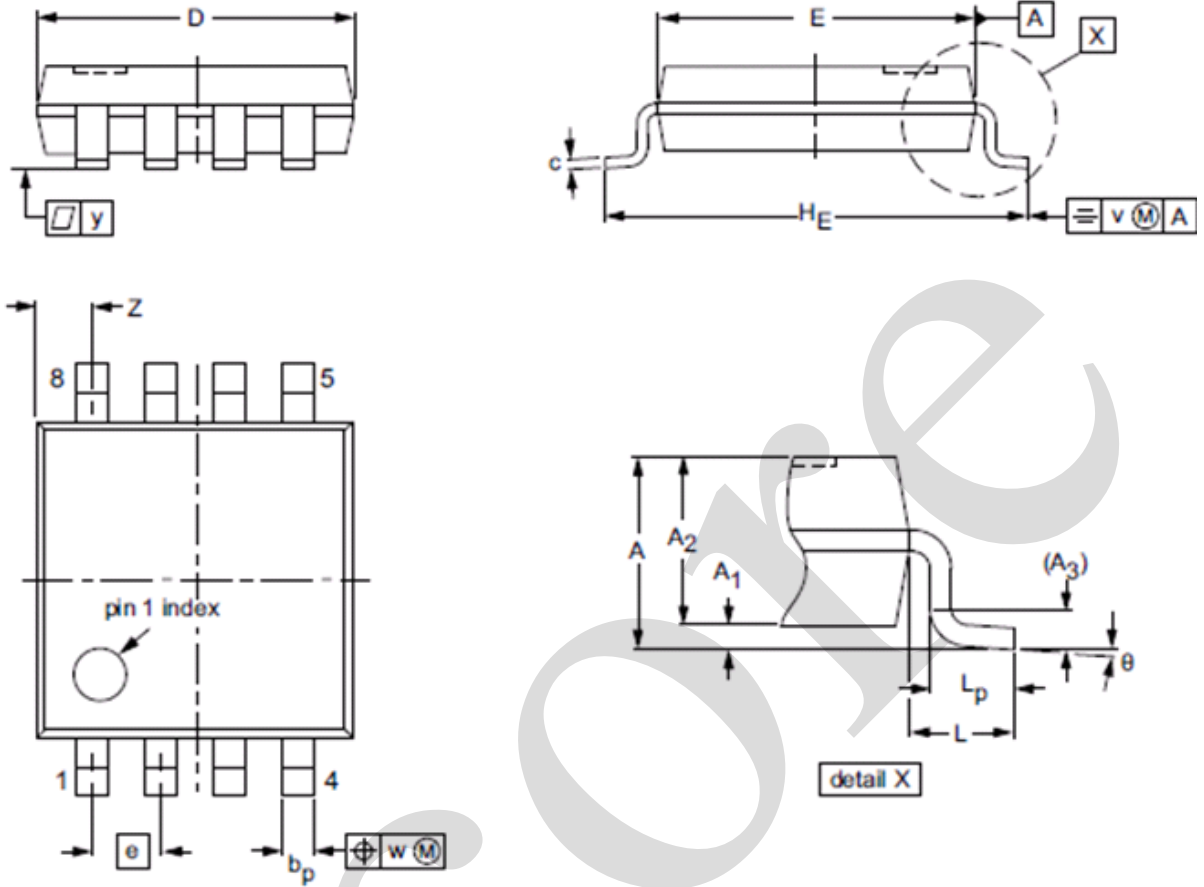
6.2、SOT-363



Symbol	Dimensions In Millimeters		Dimensions In Inches	
	Min.	Max.	Min.	Max.
A	0.900	1.100	0.035	0.043
A1	0.000	0.100	0.000	0.004
A2	0.900	1.000	0.035	0.039
b	0.150	0.350	0.006	0.014
c	0.080	0.150	0.003	0.006
D	2.000	2.200	0.079	0.087
E	1.150	1.350	0.045	0.053
E1	2.150	2.450	0.085	0.096
e	0.650 TYP.		0.026 TYP.	
e1	1.200	1.400	0.047	0.055
L	0.525 REF.		0.021 REF.	
L1	0.260	0.460	0.010	0.018
θ	0°	8°	0°	8°



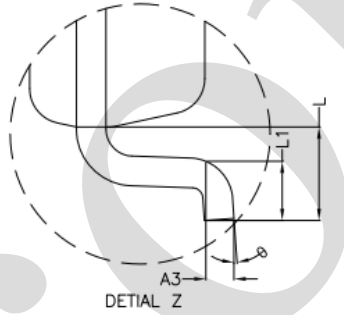
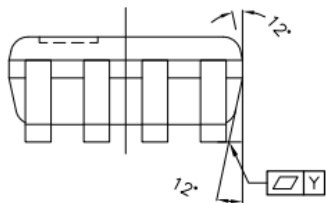
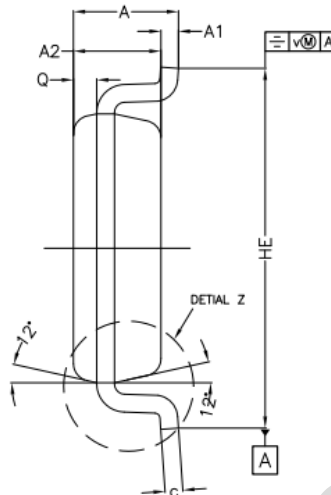
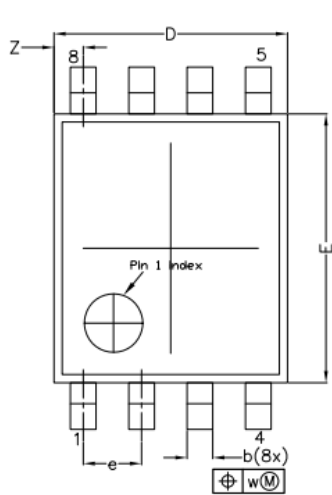
6.3、TSSOP8



UNIT	A max.	A ₁	A ₂	A ₃	b _p	c	D ⁽¹⁾	E ⁽¹⁾	e	H _E	L	L _p	v	w	y	Z ⁽¹⁾	θ
mm	1.1	0.15 0.00	0.95 0.75	0.25	0.38 0.22	0.18 0.08	3.1 2.9	3.1 2.9	0.65	4.1 3.9	0.5	0.47 0.33	0.2	0.13	0.1	0.70 0.35	8° 0°



6.4. VSSOP8



* CONTROLLING DIMENSION : MM

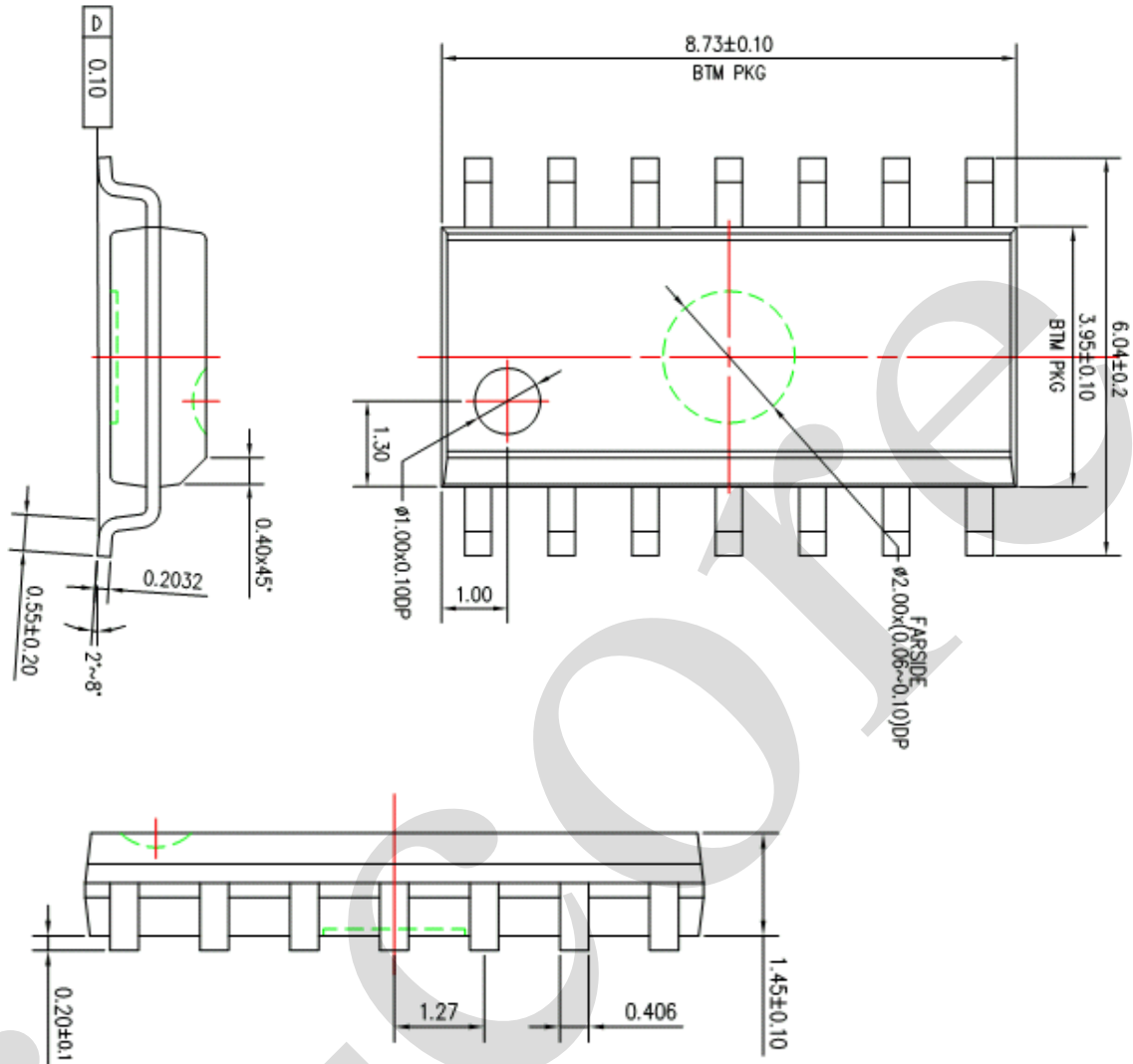
SYMBOL	MILLIMETER		
	MIN.	NOM.	MAX.
A	---	---	1.00
A1	0.00	---	0.15
A2	0.60	0.75	0.85
A3	---	0.12	---
Q	0.19	0.20	0.21
b	0.17	0.22	0.27
c	0.08	---	0.23
D	1.90	2.00	2.10
E	2.20	2.30	2.40
HE	3.00	3.10	3.20
e	0.50 bsc		
L	0.40 bsc		
L1	0.15	---	0.40
Y	---	0.10	---
v	---	0.20	---
w	---	0.08	---
Z	0.10	---	0.40
θ	0°	---	8°

NOTES

1.0 COPLANARITY APPLIES TO LEADS, CORNER LEADS AND DIE ATTACH PAD.

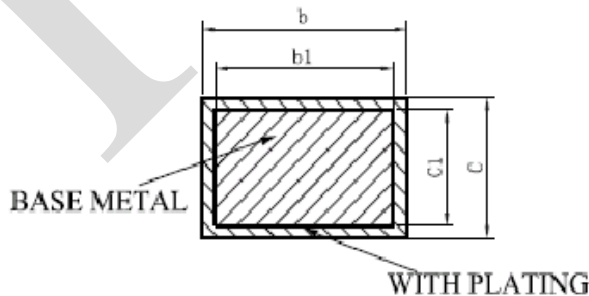
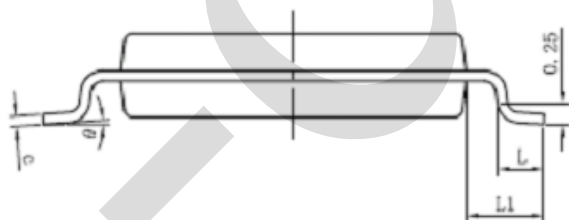
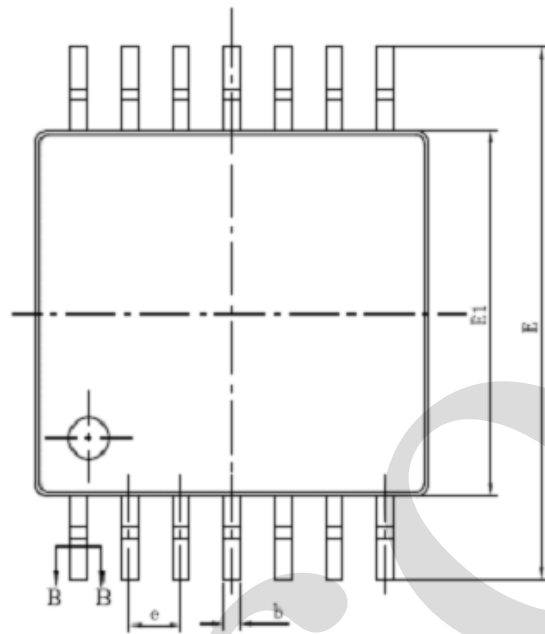
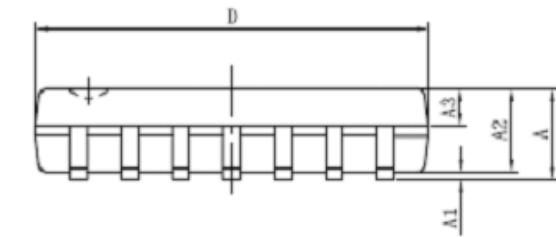


6.5、SOP14





6.6、TSSOP14

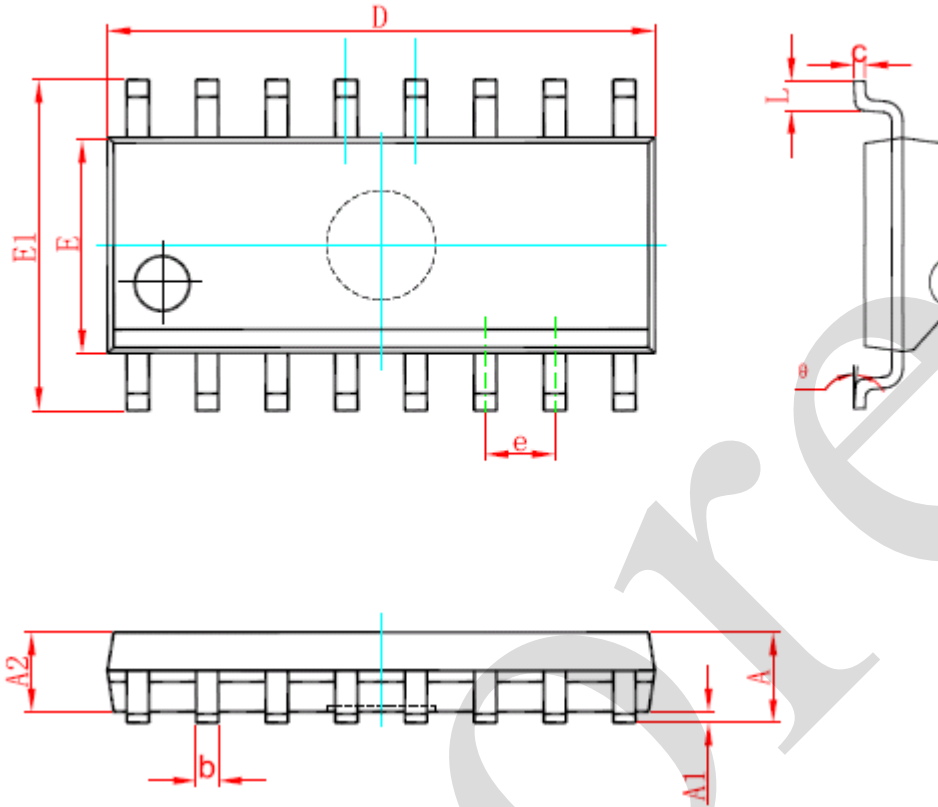


SECTION B-B

SYMBOL	MILLIMETER	
	MIN	MAX
A	—	1.20
A1	0.05	0.15
A2	0.90	1.05
A3	0.39	0.49
b	0.20	0.30
b1	0.19	0.25
c	0.13	0.19
c1	0.12	0.14
D	4.86	5.06
E1	4.30	4.50
E	6.20	6.60
e	0.65BSC	
L	0.45	0.75
L1	1.00BSC	
θ	0	8°



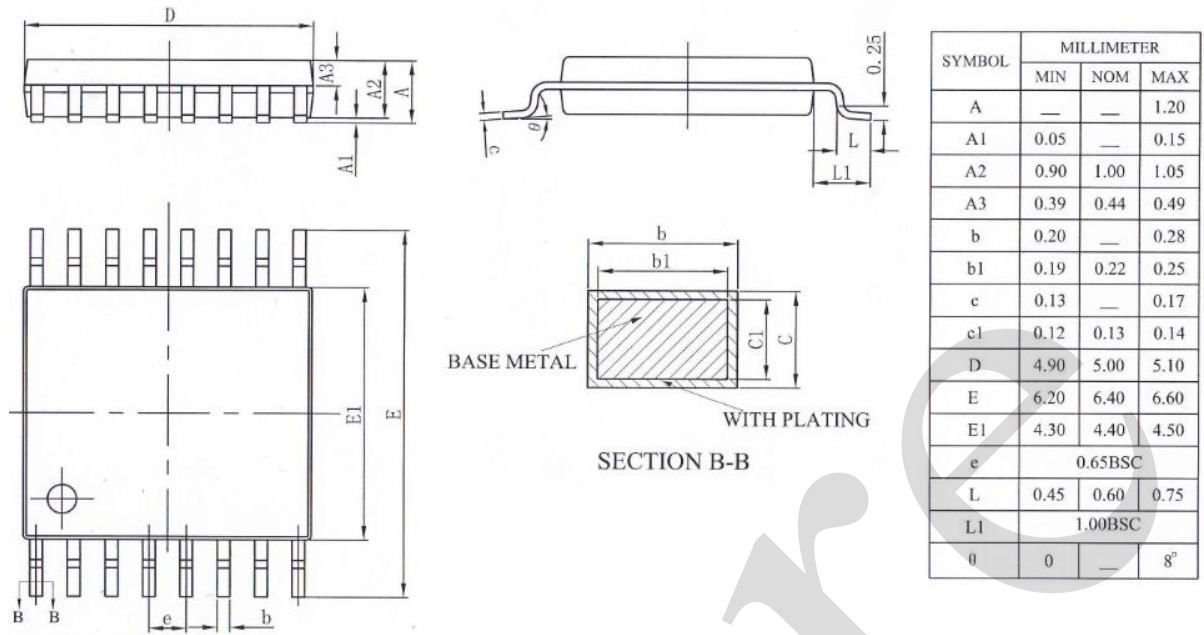
6.7、SOP16



Symbol	Dimensions In Millimeters		Dimensions In Inches	
	Min	Max	Min	Max
A	1.350	1.750	0.053	0.069
A1	0.100	0.250	0.004	0.010
A2	1.350	1.550	0.053	0.061
b	0.330	0.510	0.013	0.020
c	0.170	0.250	0.007	0.010
D	9.800	10.200	0.386	0.402
E	3.800	4.000	0.150	0.157
E1	5.800	6.200	0.228	0.244
e	1.270 (BSC)		0.050 (BSC)	
L	0.400	1.270	0.016	0.050
θ	0°	8°	0°	8°

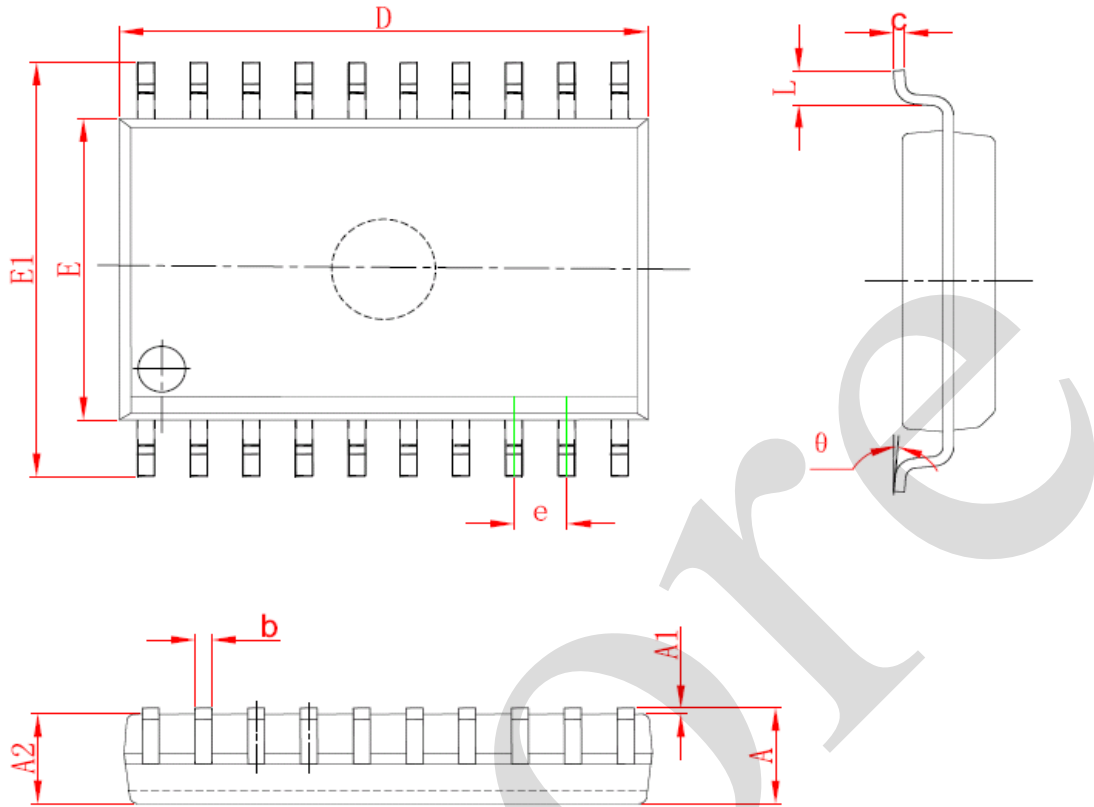


6.8、TSSOP16





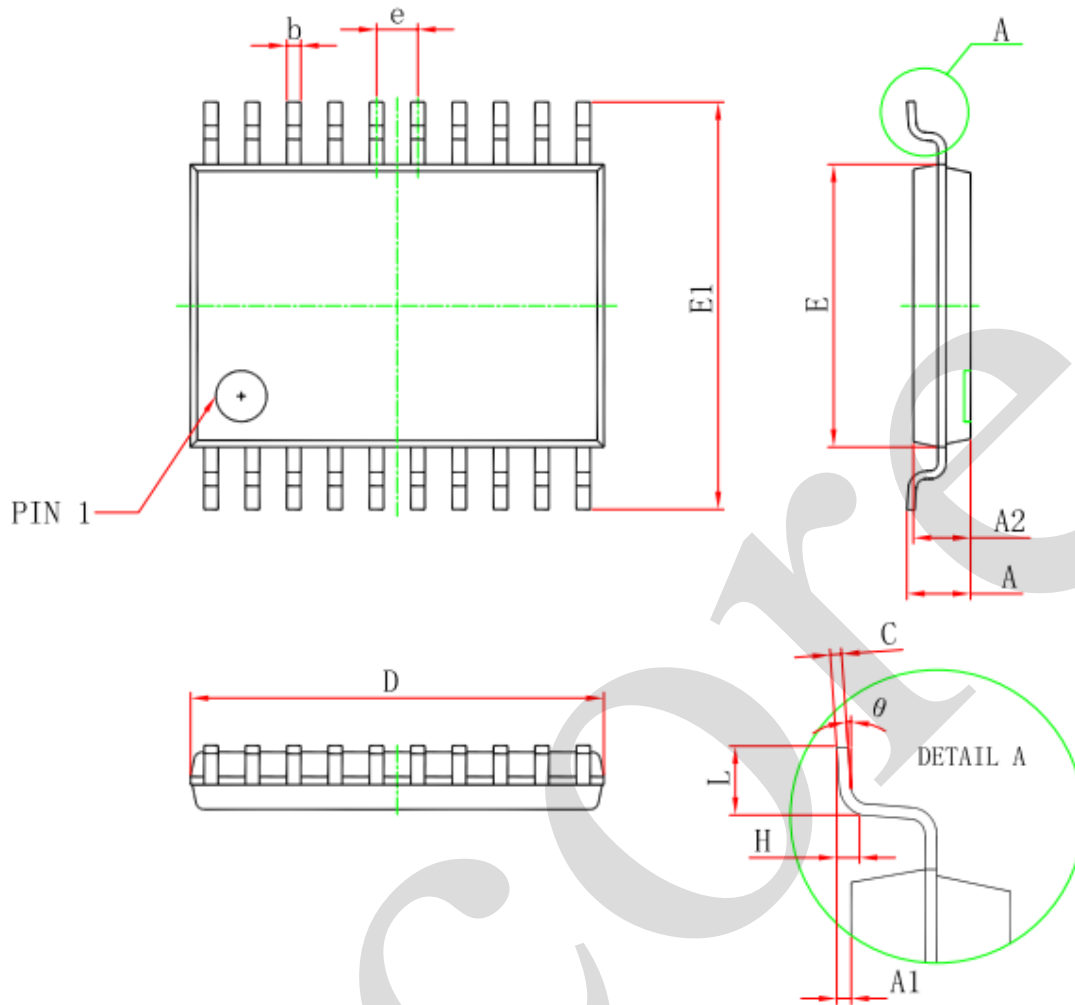
6.9、SOP20



Symbol	Dimensions In Millimeters		Dimensions In Inches	
	Min	Max	Min	Max
A	2.350	2.650	0.093	0.104
A1	0.100	0.300	0.004	0.012
A2	2.100	2.500	0.083	0.098
b	0.330	0.510	0.013	0.020
c	0.204	0.330	0.008	0.013
D	12.520	13.000	0.493	0.512
E	7.400	7.600	0.291	0.299
E1	10.210	10.610	0.402	0.418
e	1.270 (BSC)		0.050 (BSC)	
L	0.400	1.270	0.016	0.050
θ	0°	8°	0°	8°



6.10、TSSOP20



Symbol	Dimensions In Millimeters		Dimensions In Inches	
	Min	Max	Min	Max
D	6.400	6.600	0.252	0.259
E	4.300	4.500	0.169	0.177
b	0.190	0.300	0.007	0.012
e	0.090	0.200	0.004	0.008
E1	6.250	6.550	0.246	0.258
A		1.200		0.047
A2	0.800	1.000	0.031	0.039
A1	0.050	0.150	0.002	0.006
e	0.65 (BSC)		0.026 (BSC)	
L	0.500	0.700	0.020	0.028
H	0.25(TYP)		0.01(TYP)	
θ	1°	7°	1°	7°



7、 Statements And Notes

7.1、 The name and content of Hazardous substances or Elements in the product

Part name	Hazardous substances or Elements									
	Lead and lead compounds	Mercury and mercury compounds	Cadmium and cadmium compounds	Hexavalent chromium compounds	Polybrominated biphenyls	Polybrominated biphenyl ethers	Dibutyl phthalate	Butylbenzyl phthalate	Di-2-ethylhexyl phthalate	Diisobutyl phthalate
Lead frame	○	○	○	○	○	○	○	○	○	○
Plastic resin	○	○	○	○	○	○	○	○	○	○
Chip	○	○	○	○	○	○	○	○	○	○
The lead	○	○	○	○	○	○	○	○	○	○
Plastic sheet installed	○	○	○	○	○	○	○	○	○	○
explanation	○: Indicates that the content of hazardous substances or elements in the detection limit of the following the SJ/T11363-2006 standard. ×: Indicates that the content of hazardous substances or elements exceeding the SJ/T11363-2006 Standard limit requirements.									

7.2、 Notion

Recommended carefully reading this information before the use of this product;

The information in this document are subject to change without notice;

This information is using to the reference only, the company is not responsible for any loss;

The company is not responsible for the any infringement of the third party patents or other rights of the responsibility.

X-ON Electronics

Largest Supplier of Electrical and Electronic Components

Click to view similar products for [Translation - Voltage Levels](#) category:

Click to view products by [I-core](#) manufacturer:

Other Similar products are found below :

[NLSX4373DMR2G](#) [NLSX5012MUTAG](#) [NLSX0102FCT1G](#) [PCA9306FMUTAG](#) [MC100EPT622MNG](#) [NLSX3014MUTAG](#)
[NLSX5011MUTCG](#) [NLVSX4373MUTAG](#) [NB3U23CMNTAG](#) [NLSX3013BFCT1G](#) [NLV7WBD3125USG](#) [NLSX3012DMR2G](#)
[NLA9306MU3TCG](#) [PI4ULS3V304AZMAEX](#) [PI4ULS3V504AZMAEX](#) [74AVCH1T45FW3-7](#) [NLSX5011AMUTAG](#) [74AXP1T34GWH](#)
[ST2149BQTR](#) [MC100ELT21DR2G](#) [MC100LVELT22MNRG](#) [MC10ELT20DR2G](#) [MC10EPT20MNR4G](#) [MC14504BFELG](#)
[NLSV4T3234FCT1G](#) [NLSX3378BFCT1G](#) [UM3208QA](#) [UM3208H](#) [UM3304](#) [UM3304QT](#) [UM3202H](#) [UM3308](#) [RS0104YTQE12](#)
[RS0204YUTQH12](#) [AW39204QNR](#) [AW39114FOR](#) [RS0104YTQF14](#) [RS0204YTQF14](#) [UM3204QT](#) [UM3204QB](#) [UM3204QV](#)
[AIPTS0104TA14.TR](#) [AIPTB0104TA14.TR](#) [UM3304QS](#) [SN74LXC2T45DCUR](#) [TCA39306DTMR](#) [NTS0102TL-Q100H](#) [AW39112DNR](#)
[XP7660](#) [RS4T774XTSS16](#)