



CD4067

16-channel Analog Multiplexer/Demultiplexer

Product Specification

Specification Revision History:

Version	Date	Description
2019-09-A1	2019-09	New
2021-12-A2	2021-12	Modify Ordering Information
2022-03-A3	2022-03	Modify ambient temperature to $-40^{\circ}\text{C}\sim+105^{\circ}\text{C}$ and add electrical characteristics of $-40^{\circ}\text{C}\sim+105^{\circ}\text{C}$



1、 General Description

The CD4067 is a 16-channel analog multiplexer/demultiplexer with four address inputs (A0 to A3), an active LOW enable input (\bar{E}), sixteen independent inputs/outputs (Y0 to Y15) and a common input/output (Z). The device contains sixteen bidirectional analog switches, each with one side connected to an independent input/output (Y0 to Y15) and the other side connected to the common input/output (Z). With \bar{E} LOW, one of the sixteen switches is selected (low-impedance ON-state) by A0 to A3. All unselected switches are in the high-impedance OFF-state. With \bar{E} HIGH all switches are in the high-impedance OFF-state, independent of A0 to A3. The analog inputs/outputs (Y0 to Y15 and Z) can swing between V_{DD} as a positive limit and V_{SS} as a negative limit. V_{DD} to V_{SS} may not exceed 9V.

Features:

- Wide supply voltage range from 3V to 9V
- Fully static operation
- 5V and 9V parametric ratings
- Standardized symmetrical output characteristics
- Specified from -40°C to +105°C
- Packaging information:SOP24/TSSOP24

**Ordering Information:****Tube packing specifications:**

Part number	Packaging form	Marking code	Tube quantity	Boxed tube quantity	Boxed quantity	Notes
CD4067SA24.TB	SOP24	CD4067	30 PCS/tube	80 tube/box	2400 PCS/box	Dimensions of plastic enclosure: 15.4mm×7.5mm Pin spacing: 1.27mm
CD4067TA24.TB	TSSOP24	CD4067	62 PCS/tube	200 tube/box	12400 PCS/box	Dimensions of plastic enclosure: 7.8mm×4.4mm Pin spacing: 0.65mm

Reel packing specifications:

Part number	Packaging form	Marking code	Reel quantity	Boxed reel quantity	Notes
CD4067SA24.TR	SOP24	CD4067	1000 PCS/reel	1000 PCS/box	Dimensions of plastic enclosure: 15.4mm×7.5mm Pin spacing:1.27mm

Note: If the physical information is inconsistent with the ordering information, please refer to the actual product.



2、Block Diagram And Pin Description

2.1、Block Diagram

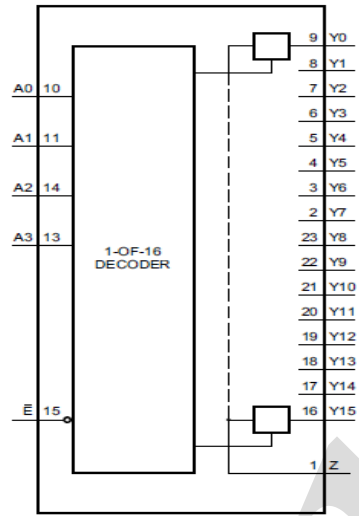


Figure 1. Functional diagram

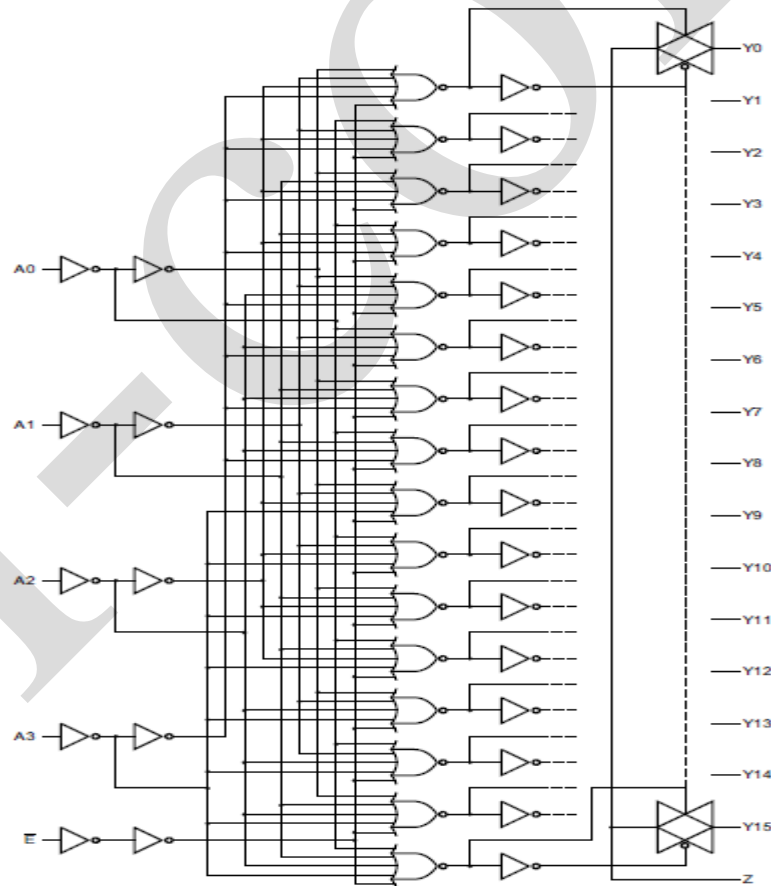


Figure 2. Logic diagram

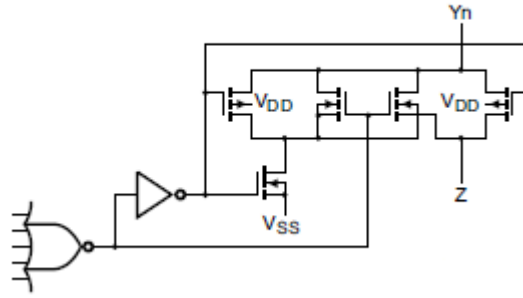
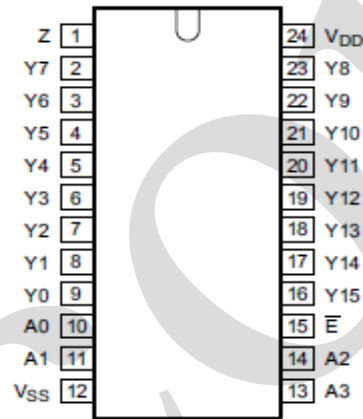


Figure 3. Schematic diagram (one switch)

2.2、 Pin Configurations



2.3、 Pin Description

Pin No.	Pin Name	Description
1	Z	common input/output
2	Y7	independent input/output
3	Y6	independent input/output
4	Y5	independent input/output
5	Y4	independent input/output
6	Y3	independent input/output
7	Y2	independent input/output
8	Y1	independent input/output
9	Y0	independent input/output
10	A0	address input
11	A1	address input
12	V _{SS}	ground (0V)
13	A3	address input
14	A2	address input



15	\bar{E}	enable input (active LOW)
16	Y15	independent input/output
17	Y14	independent input/output
18	Y13	independent input/output
19	Y12	independent input/output
20	Y11	independent input/output
21	Y10	independent input/output
22	Y9	independent input/output
23	Y8	independent input/output
24	V _{DD}	supply voltage

2.4、Function Table

Input					Channel ON
\bar{E}	A3	A2	A1	A0	
L	L	L	L	L	Y0=Z
L	L	L	L	H	Y1=Z
L	L	L	H	L	Y2=Z
L	L	L	H	H	Y3=Z
L	L	H	L	L	Y4=Z
L	L	H	L	H	Y5=Z
L	L	H	H	L	Y6=Z
L	L	H	H	H	Y7=Z
L	H	L	L	L	Y8=Z
L	H	L	L	H	Y9=Z
L	H	L	H	L	Y10=Z
L	H	L	H	H	Y11=Z
L	H	H	L	L	Y12=Z
L	H	H	L	H	Y13=Z
L	H	H	H	L	Y14=Z
L	H	H	H	H	Y15=Z
H	X	X	X	X	none

Note: H=HIGH voltage level; L=LOW voltage level; X=don't care.



3、Electrical Parameter

3.1、Absolute Maximum Ratings

(Voltages are referenced to V_{SS} (ground=0V), unless otherwise specified.)

Parameter	Symbol	Conditions	Min.	Max.	Unit
supply voltage	V_{DD}	-	-0.5	+12	V
input clamping current	I_{IK}	$V_I < 0.5V$ or $V_I > V_{DD} + 0.5V$	-	± 10	mA
switch current	I	-	-	± 10	mA
input voltage	V_I	all inputs	-0.5	$V_{DD} + 0.5$	V
storage temperature	T_{stg}	-	-65	+150	°C
total power dissipation	P_{tot}	-	-	500	mW
device dissipation	P	per output transistor	-	100	mW
Soldering temperature	T_L	10s		250	°C

Note:

[1] For SOP24 packages: above 70°C the value of P_{tot} derates linearly with 8mW/K.

[2] For (T)SSOP24 packages: above 60°C the value of P_{tot} derates linearly with 5.5mW/K.

3.2、Recommended Operating Conditions

($T_{amb} = 25^\circ\text{C}$, voltages are referenced to V_{SS} (ground=0V), unless otherwise specified.)

Parameter	Symbol	Conditions	Min.	Typ.	Max.	Unit
supply voltage	V_{DD}	-	3	5	9	V
ambient temperature	T_{amb}	in free air	-40	-	+105	°C
input voltage	V_I	-	0	-	V_{DD}	V
multiplexer switch input current capability	-	-	-	-	25	mA
output load resistance	-	-	100	-	-	Ω



3.3、Electrical Characteristics

3.3.1、DC Characteristics 1

($T_{amb}=25^{\circ}\text{C}$, voltages are referenced to V_{SS} (ground=0V), unless otherwise specified.)

Parameter	Symbol	Conditions (V)		$T_{amb}=25^{\circ}\text{C}$			Unit
				Min.	Typ.	Max.	
LOW-level input voltage	V_{IL}	$ I_O <1\mu\text{A}$	$V_{DD}=5\text{V}$, $V_O=0.5\text{V}$ or 4.5V	-	-	1.5	V
			$V_{DD}=9\text{V}$, $V_O=1.0\text{V}$ or 9V	-	-	3	V
HIGH-level input voltage	V_{IH}	$ I_O <1\mu\text{A}$	$V_{DD}=5\text{V}$, $V_O=0.5\text{V}$ or 4.5V	3.5	-	-	V
			$V_{DD}=9\text{V}$, $V_O=1.0\text{V}$ or 9V	7	-	-	V
input leakage current	I_I	$V_I=0\text{V}$ or 9V , $V_{DD}=9\text{V}$		-	$\pm 10^{-5}$	± 0.1	μA
OFF-state leakage current	$I_{S(OFF)}$	$V_{SS}=0\text{V}$; $V_{DD}=9\text{V}$		-	± 0.1	± 100	nA
supply current	I_{DD}	all valid input combinations; $I_O=0\text{A}$	$V_{DD}=5\text{V}$	-	0.04	5	μA
			$V_{DD}=9\text{V}$	-	0.04	10	μA
input capacitance	C_I	any address or inhibit input		-	5	7.5	pF
ON resistance	R_{ON}	$V_{SS}\leq V_{is}\leq V_{DD}$	$V_{DD}=5\text{V}$	-	470	1050	Ω
			$V_{DD}=9\text{V}$	-	180	400	Ω
change in on-state resistance between channels	ΔR_{ON}	-	$V_{DD}=5\text{V}$	-	15	-	Ω
			$V_{DD}=9\text{V}$	-	10	-	Ω

3.3.2、DC Characteristics 2

($T_{amb}=-40^{\circ}\text{C}$ to $+105^{\circ}\text{C}$, voltages are referenced to V_{SS} (ground=0V), unless otherwise specified.)

Parameter	Symbol	Conditions (V)		$T_{amb}=-40^{\circ}\text{C}$		$T_{amb}=+85^{\circ}\text{C}$		$T_{amb}=+105^{\circ}\text{C}$		Unit
				Min.	Max.	Min.	Max.	Min.	Max.	
LOW-level input voltage	V_{IL}	$ I_O <1\mu\text{A}$	$V_{DD}=5\text{V}$, $V_O=0.5\text{V}$ or 4.5V	-	1.5	-	1.5	-	1.5	V
			$V_{DD}=9\text{V}$, $V_O=1.0\text{V}$ or 9V	-	3	-	3	-	3	V
HIGH-level input voltage	V_{IH}	$ I_O <1\mu\text{A}$	$V_{DD}=5\text{V}$, $V_O=0.5\text{V}$ or 4.5V	3.5	-	3.5	-	3.5	-	V
			$V_{DD}=9\text{V}$, $V_O=1.0\text{V}$ or 9V	7	-	7	-	7	-	V
input leakage current	I_I	$V_I=0\text{V}$ or 9V , $V_{DD}=9\text{V}$		-	± 0.1	-	± 1	-	± 1	μA
OFF-state leakage current	$I_{S(OFF)}$	$V_{SS}=0\text{V}$; $V_{DD}=9\text{V}$		-	± 100	-	± 1000	-	± 1000	nA
supply current	I_{DD}	all valid input combinations; $I_O=0\text{A}$	$V_{DD}=5\text{V}$	-	5	-	150	-	150	μA
			$V_{DD}=9\text{V}$	-	10	-	300	-	300	μA
ON resistance	R_{ON}	$V_{SS}\leq V_{is}\leq V_{DD}$	$V_{DD}=5\text{V}$	-	850	-	1200	-	1300	Ω
			$V_{DD}=9\text{V}$	-	330	-	520	-	550	Ω



3.3.3、AC Characteristics 1

($T_{amb}=25^{\circ}\text{C}$, voltages are referenced to V_{SS} (ground=0V), unless otherwise specified.)

Parameter	Symbol	Conditions	Min.	Typ.	Max.	Unit	
HIGH to LOW propagation delay time	t_{PHL}	Yn, Z to Z, Yn; see Figure 5	$V_{DD}=5\text{V}$	-	30	60	ns
			$V_{DD}=9\text{V}$	-	15	30	ns
LOW to HIGH propagation delay	t_{PLH}	Yn, Z to Z, Yn; see Figure 5	$V_{DD}=5\text{V}$	-	30	60	ns
			$V_{DD}=9\text{V}$	-	15	30	ns
HIGH to OFF-state propagation delay	t_{PHZ}	\bar{E} to Yn, Z; see Figure 7	$V_{DD}=5\text{V}$	-	325	650	ns
			$V_{DD}=9\text{V}$	-	135	270	ns
LOW to OFF-state propagation delay	t_{PLZ}	\bar{E} to Yn, Z; see Figure 7	$V_{DD}=5\text{V}$	-	325	650	ns
			$V_{DD}=9\text{V}$	-	135	270	ns
OFF-state to HIGH propagation delay	t_{PZH}	\bar{E} to Yn, Z; see Figure 7	$V_{DD}=5\text{V}$	-	220	440	ns
			$V_{DD}=9\text{V}$	-	90	180	ns
OFF-state to LOW propagation delay	t_{PZL}	\bar{E} to Yn, Z; see Figure 7	$V_{DD}=5\text{V}$	-	220	440	ns
			$V_{DD}=9\text{V}$	-	90	180	ns

3.3.4、AC Characteristics 2

($T_{amb}=25^{\circ}\text{C}$, voltages are referenced to V_{SS} (ground=0V), unless otherwise specified.)

Parameter	Symbol	Conditions	Min.	Typ.	Max.	Unit	
-3dB frequency response	$f_{(-3dB)}$	$V_{is}=5\text{V}; V_{DD}=9\text{V};$ $R_L=1\text{k}\Omega;$ see Figure 9	V_{os} at Z	-	14	-	MHz
			V_{os} at any channel	-	60	-	MHz
total harmonic distortion	THD	$f_{is}=1\text{kHz}$ sine wave; see Figure 8	$V_{is}=2\text{V}; V_{DD}=5\text{V};$ $R_L=10\text{k}\Omega$	-	0.3	-	%
			$V_{is}=3\text{V}; V_{DD}=9\text{V};$ $R_L=10\text{k}\Omega$	-	0.2	-	%
-40dB feed through frequency	$f_{(-40dB)}$	$V_{is}=5\text{V}; V_{DD}=9\text{V};$ $R_L=1\text{k}\Omega;$ all channel off	V_{os} at Z	-	20	-	MHz
			V_{os} at any channel	-	8	-	MHz
crosstalk	X_{talk}	$V_{is}=5\text{V}; V_{DD}=9\text{V}; R_L=1\text{k}\Omega;$ frequency at -40dB; between any 2 channels; see Figure 11	-	1	-	MHz	
crosstalk voltage	V_{ct}	$V_{DD}=9\text{V}; R_L=10\text{k}\Omega; V_C=V_{DD}-V_{SS}$ (square wave); see Figure 10	-	75	-	mV	

Note:

[1] $20\log(V_{os}/V_{is})=-3\text{dB}$.

[2] $20\log(V_{os}/V_{is})=-40\text{dB}$.

[3] Peak-to-peak voltage symmetrical about $(V_{DD}-V_{SS})/2$.



4、Testing Circuit

4.1、AC Testing Circuit 1

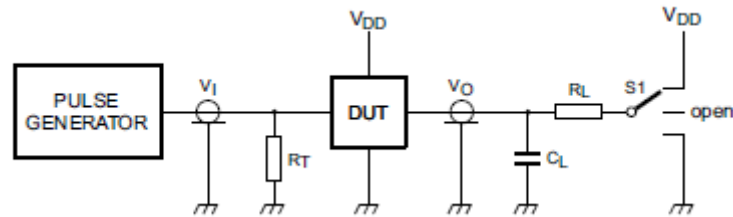


Figure 4. Test circuit for switching times

Definitions for test circuit:

C_L =Load capacitance including jig and probe capacitance.

R_T =Termination resistance should be equal to the output impedance Z_o of the pulse generator.

R_L =Load resistance.

$S1$ =Test selection switch.

4.2、AC Testing Waveforms

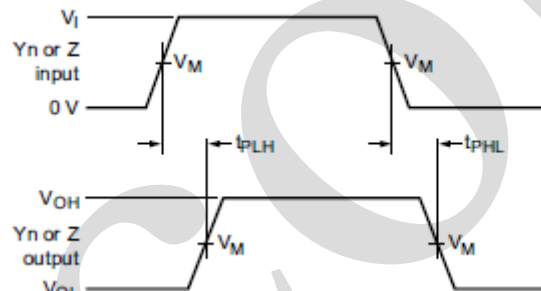


Figure 5. Yn, Z to Z, Yn propagation delays

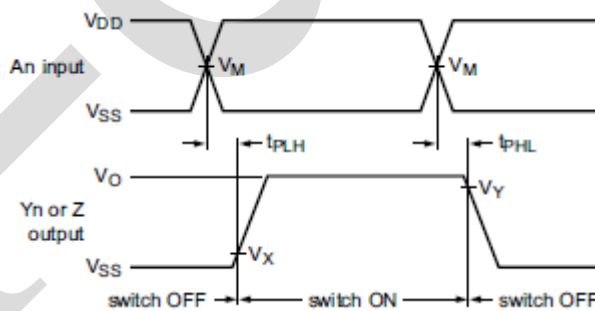


Figure 6. An to Yn, Z propagation delays

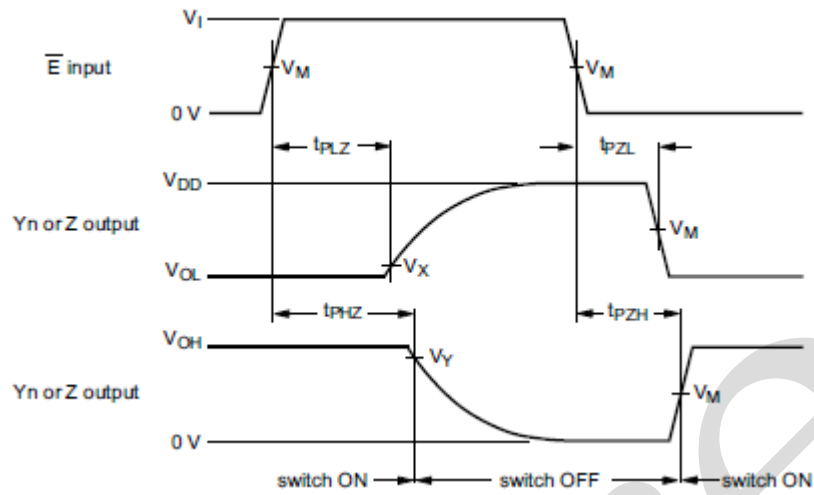


Figure 7. Enable and disable times

4.3. AC Testing Circuit 2

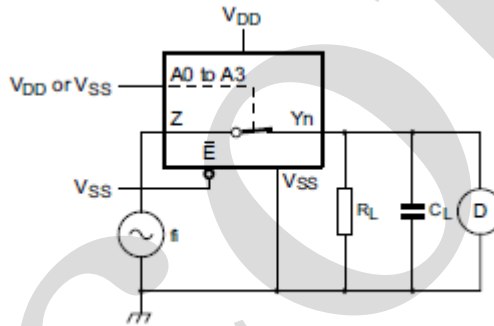


Figure 8. Test circuit for measuring total harmonic distortion

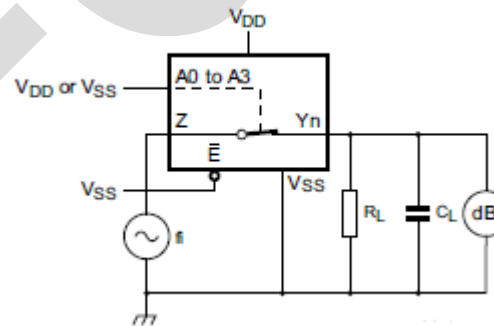


Figure 9. Test circuit for measuring frequency response

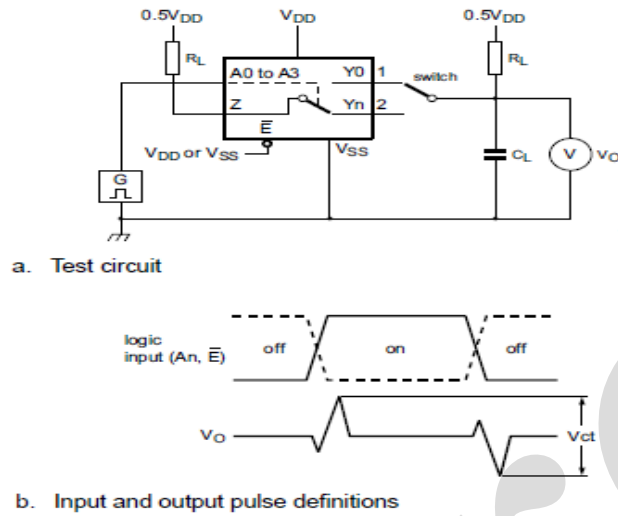


Figure 10. Test circuit for measuring crosstalk voltage between digital inputs and switch

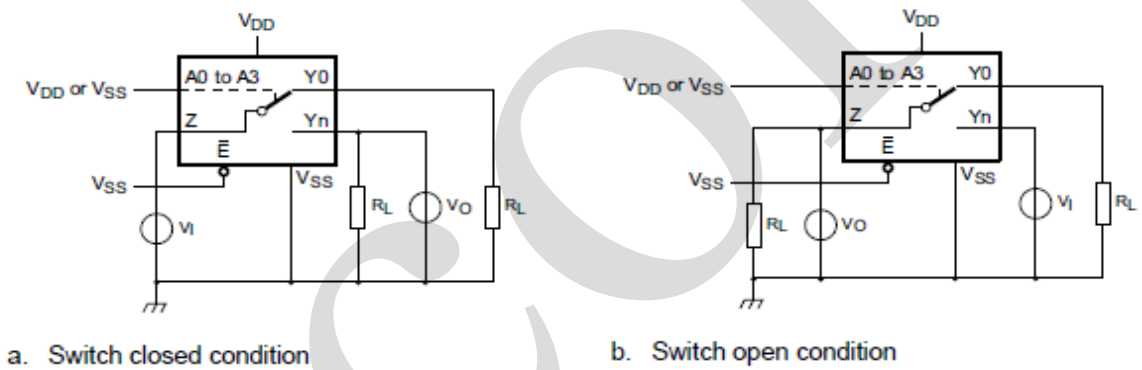


Figure 11. Test circuit for measuring crosstalk between switches

4.4、Measurement Points

Supply voltage	Input	Output
V_{DD}	V_M	V_M
3V to 9V	$0.5 \times V_{DD}$	$0.5 \times V_{DD}$

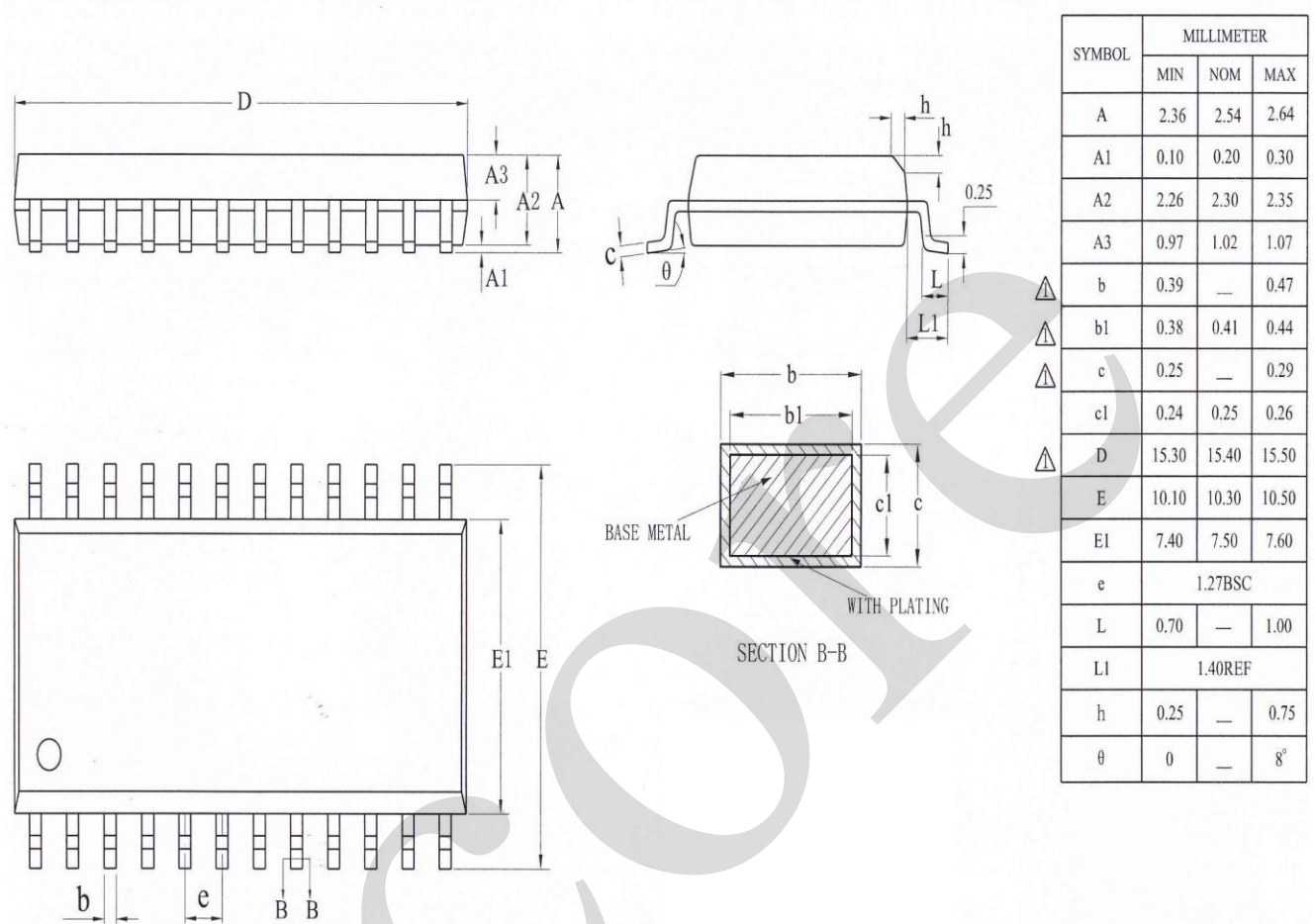
4.5、Test Data

Test	Input		Load		S1 position
	V_M	t_r, t_f	C_L	R_L	
t_{PHL}	$0.5 \times V_{DD}$	$\leq 20\text{ns}$	50pF	10kΩ	V_{DD} or V_{SS}
t_{PLH}	$0.5 \times V_{DD}$	$\leq 20\text{ns}$	50pF	10kΩ	V_{SS}
t_{PZH}, t_{PHZ}	$0.5 \times V_{DD}$	$\leq 20\text{ns}$	50pF	10kΩ	V_{SS}
t_{PZL}, t_{PLZ}	$0.5 \times V_{DD}$	$\leq 20\text{ns}$	50pF	10kΩ	V_{DD}
other	$0.5 \times V_{DD}$	$\leq 20\text{ns}$	50pF	10kΩ	V_{SS}



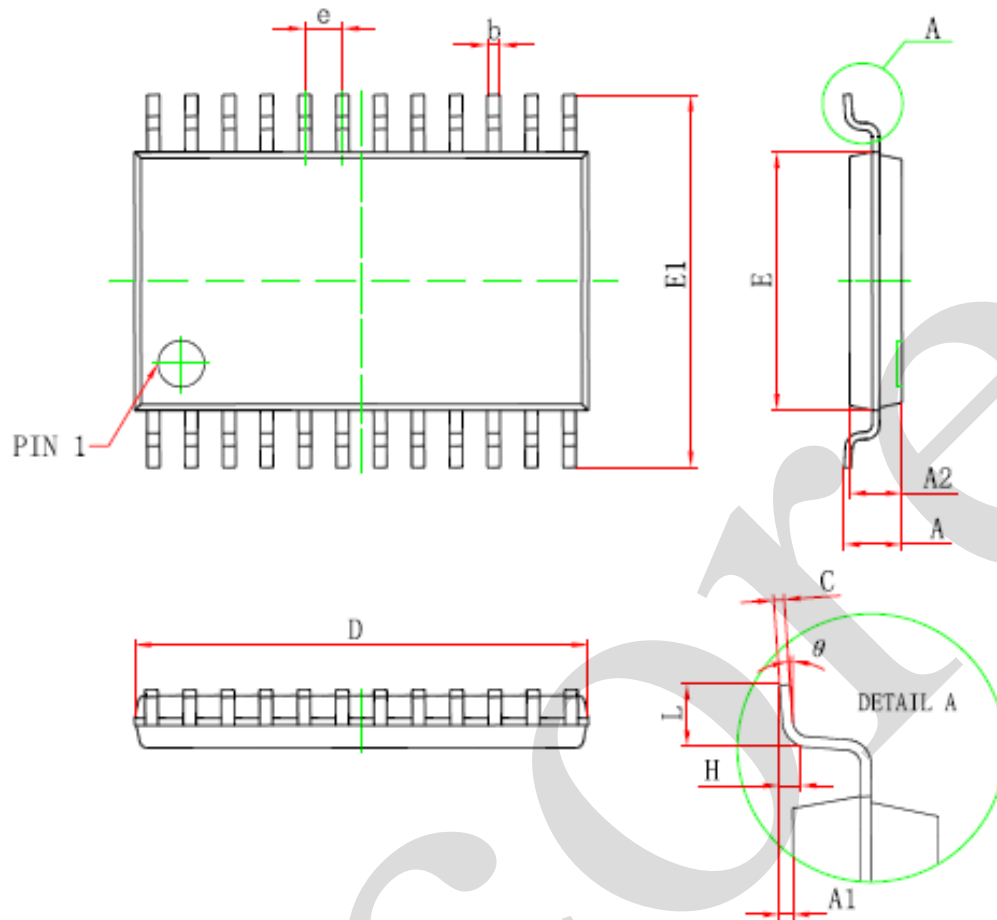
5、Package Information

5.1、SOP24





5.2、TSSOP24



Symbol	Dimensions In Millimeters		Dimensions In Inches	
	Min	Max	Min	Max
D	7.700	7.900	0.303	0.311
E	4.300	4.500	0.169	0.177
b	0.190	0.300	0.007	0.012
e	0.090	0.200	0.004	0.008
E1	6.250	6.550	0.246	0.258
A		1.200		0.047
A2	0.800	1.000	0.031	0.039
A1	0.050	0.150	0.002	0.006
e	0.65 (BSC)		0.026 (BSC)	
L	0.500	0.700	0.020	0.028
H	0.25(TYP)		0.01(TYP)	
θ	1°	7°	1°	7°



6、 Statements And Notes

6.1、 The name and content of Hazardous substances or Elements in the product

Part name	Hazardous substances or Elements									
	Lead and lead compounds	Mercury and mercury compounds	Cadmium and cadmium compounds	Hexavalent chromium compounds	Polybrominated biphenyls	Polybrominated biphenyl ethers	Dibutyl phthalate	Butylbenzyl phthalate	Di-2-ethylhexyl phthalate	Diisobutyl phthalate
Lead frame	○	○	○	○	○	○	○	○	○	○
Plastic resin	○	○	○	○	○	○	○	○	○	○
Chip	○	○	○	○	○	○	○	○	○	○
The lead	○	○	○	○	○	○	○	○	○	○
Plastic sheet installed	○	○	○	○	○	○	○	○	○	○
explanation	○: Indicates that the content of hazardous substances or elements in the detection limit of the following the SJ/T11363-2006 standard. ×: Indicates that the content of hazardous substances or elements exceeding the SJ/T11363-2006 Standard limit requirements.									

6.2、 Notion

Recommended carefully reading this information before the use of this product;

The information in this document are subject to change without notice;

This information is using to the reference only, the company is not responsible for any loss;

The company is not responsible for the any infringement of the third party patents or other rights of the responsibility.

X-ON Electronics

Largest Supplier of Electrical and Electronic Components

Click to view similar products for [Analogue Switch ICs category](#):

Click to view products by [I-core manufacturer](#):

Other Similar products are found below :

[FSA3051TMX](#) [NLAS5223BLMNR2G](#) [NLX2G66DMUTCG](#) [425541DB](#) [DG403DY](#) [099044FB](#) [MAX4762ETB+](#) [NLAS3799BMNR2G](#)
[NLAS5123MNR2G](#) [ISL84684IR](#) [PI5A4157CEX](#) [PI5A4599BCEX](#) [NLAS4717EPFCT1G](#) [PI5A3167CCEX](#) [SLAS3158MNR2G](#) [PI5A392AQE](#)
[DG333ALDW-T1-E3](#) [ISL43113IB](#) [ISL43140IB](#) [ISL43140IBZ-T](#) [ISL43143IR](#) [ISL43L120IR](#) [ISL43L121IR](#) [ISL43L122IR](#) [ISL43L220IR](#)
[ISL43L410IR](#) [ISL43L420IR](#) [ISL43L710IR](#) [ISL43L711IR](#) [ISL43L712IR](#) [ISL84053IA](#) [ISL84514IB](#) [ISL84516IB](#) [ISL84684IUZ-T](#)
[LNLASB3157DFT2G](#) [NLAS324US](#) [NLASTV4599DFT2G](#) [TPW4053-SR](#) [WAS4642Q-24/TR](#) [ADG842YKSZ-REEL7](#) [WAS4766C-9/TR](#)
[WAS7227Q-10/TR](#) [WAS4646C-36/TR](#) [WAS4735Q-16/TR](#) [BL1532TQFN](#) [RS2233YS16](#) [CH483M](#) [TMUX646ZECR](#) [TMUX1248DCKR](#)
[TMUX7236RUMR](#)