

## TL432 Adjustable Accurate Reference Source

### DEVICE DESCRIPTION

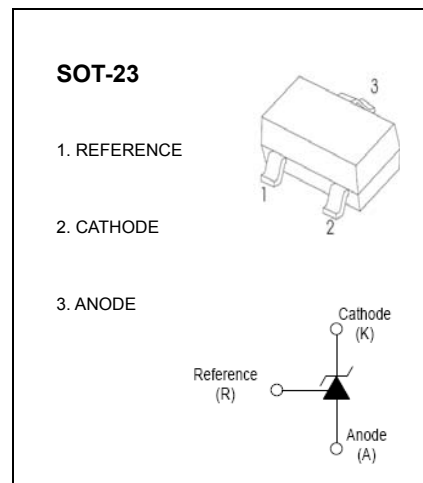
The TL432 is a three-terminal Shunt Voltage Reference providing a highly accurate 1.24V. The TL432 thermal stability and wide operating current, makes it suitable for all variety of applications that are looking for a low cost solution with high performance.

### FEATURES

- Low dynamic output impedance
- The effective temperature compensation in the working range of full temperature
- Low output noise voltage
- Fast on-state response
- Sink current capability of 0.1mA to 100mA

### APPLICATION

- Shunt Regulator
- High-Current Shunt Regulator
- Precision Current Limiter



### ABSOLUTE MAXIMUM RATINGS (Operating temperature range applies unless otherwise specified)

Parameter	Symbol	Value	Units
Cathode Voltage	$V_{KA}$	18	V
Cathode Current Range (continuous)	$I_{KA}$	100	mA
Reference Input Current Range	$I_{ref}$	6	$\mu A$
Power Dissipation	$P_D$	350	mW
Thermal Resistance from Junction to Ambient	$R_{\theta JA}$	357	$^{\circ}C/W$
Operating Temperature	$T_{opr}$	0~+70	$^{\circ}C$
Junction Temperature	$T_J$	150	$^{\circ}C$
Storage Temperature	$T_{stg}$	-65~+150	$^{\circ}C$

电话: 0755-82568882 82568883

邮箱: [idchip@indreamchip.com](mailto:idchip@indreamchip.com)

传真: 0755-82568886

网址: [www.idchip.cn](http://www.idchip.cn)

公司地址: 深圳市福田区滨河大道联合广场 A 座 1308

**ELECTRICAL CHARACTERISTICS ( $T_a=25^{\circ}\text{C}$  unless otherwise specified)**

Parameter	Symbol	Test conditions	Min	Typ	Max	Unit
Reference input voltage (Fig 1)	$V_{\text{ref}}$	$V_{\text{KA}}=V_{\text{REF}}, I_{\text{KA}}=10\text{mA}$	1.2214		1.2586	V
Deviation of reference voltage over full temperature range (Fig 1)	$\Delta V_{\text{ref(DEV)}}$	$V_{\text{KA}}=V_{\text{REF}}, I_{\text{KA}}=10\text{mA}$ $0^{\circ}\text{C}\leq T_a\leq 70^{\circ}\text{C}$			16	mV
Ratio of change in reference input voltage to the change in cathode voltage (Fig 2)	$\Delta V_{\text{ref}}/\Delta V_{\text{KA}}$	$I_{\text{KA}}=10\text{mA}$ , $\Delta V_{\text{KA}}=1.25\text{V}\sim 15\text{V}$			2.4	mV/V
Deviation of reference input current over full temperature range (Fig 2)	$\Delta I_{\text{ref}}/\Delta T$	$I_{\text{KA}}=10\text{mA}$ , $R_1=10\text{k}\Omega$ , $R_2=\infty$ , $0^{\circ}\text{C}\leq T_a\leq 70^{\circ}\text{C}$			0.6	$\mu\text{A}$
Minimum cathode current for regulation (Fig 1)	$I_{\text{KA(min)}}$	$V_{\text{KA}}=V_{\text{REF}}$			0.1	mA
Off-state cathode current(Fig 3)	$I_{\text{off}}$	$V_{\text{KA}}=15\text{V}, V_{\text{REF}}=0$			0.5	$\mu\text{A}$
Dynamic impedance	$Z_{\text{KA}}$	$V_{\text{KA}}=V_{\text{REF}}, I_{\text{KA}}=0.1\sim 20\text{mA}$ , $f\leq 1.0\text{kHz}$			0.5	$\Omega$

**CLASSIFICATION OF  $V_{\text{ref}}$**

<b>Rank</b>	1%	1.5%
<b>Range</b>	1.2276~1.2524	1.2214~1.2586

电话: 0755-82568882      82568883

邮箱: [idchip@indreamchip.com](mailto:idchip@indreamchip.com)

传真: 0755-82568886

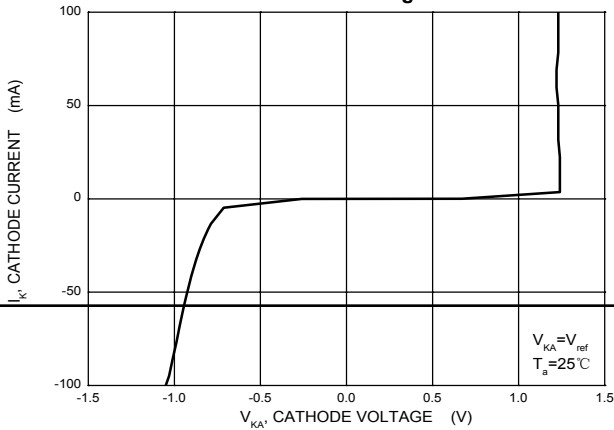
网址: [www.idchip.cn](http://www.idchip.cn)

公司地址: 深圳市福田区滨河大道联合广场 A 座 1308

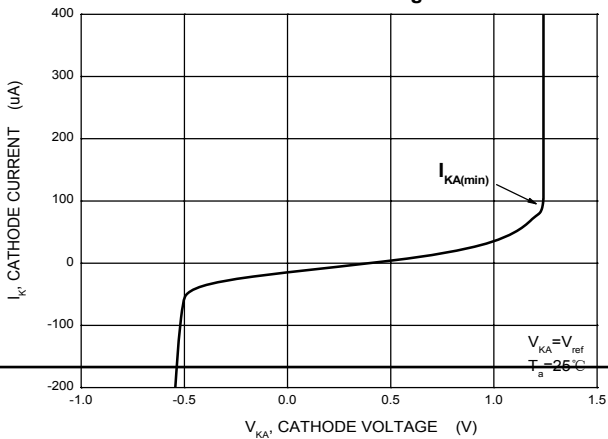
# Typical Characteristics

# TL432

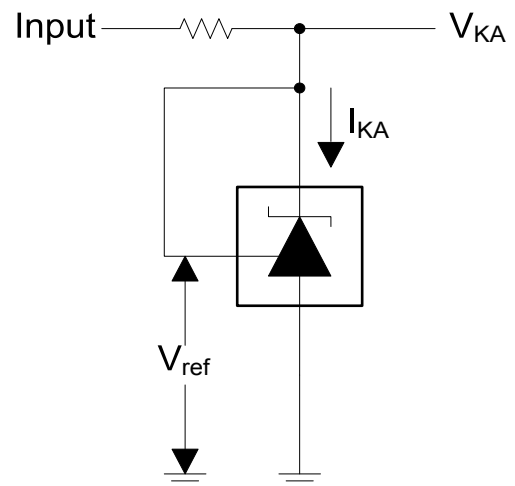
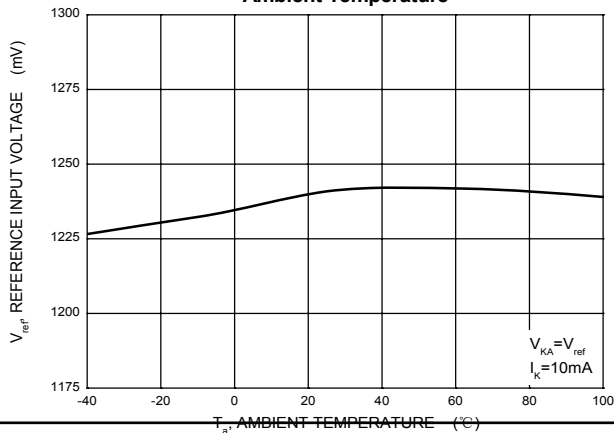
Cathode Current versus Cathode Voltage



Cathode Current versus Cathode Voltage



Reference Input Voltage versus Ambient Temperature



Test Circuit for  $V_{KA}=V_{ref}$

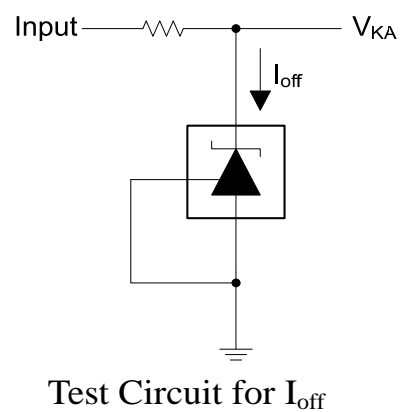
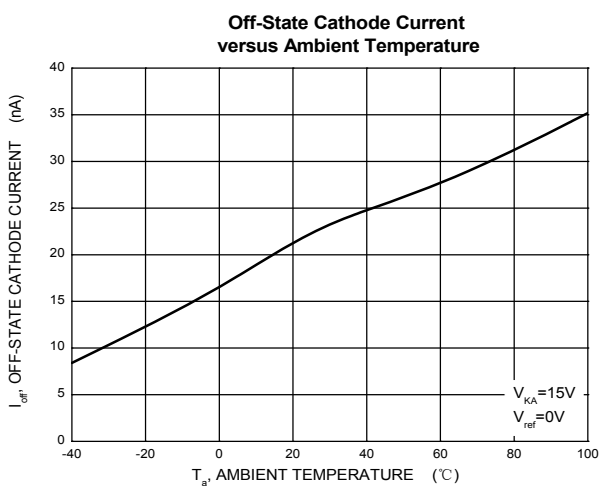
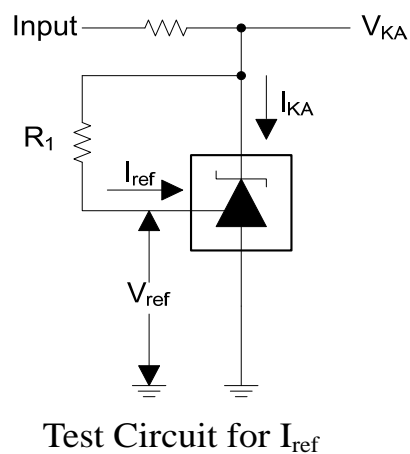
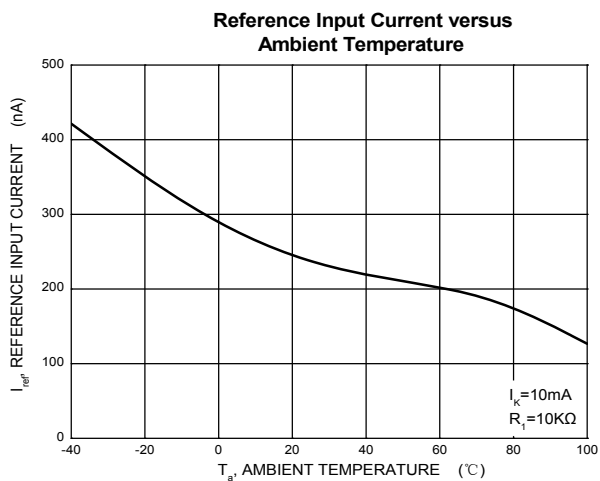
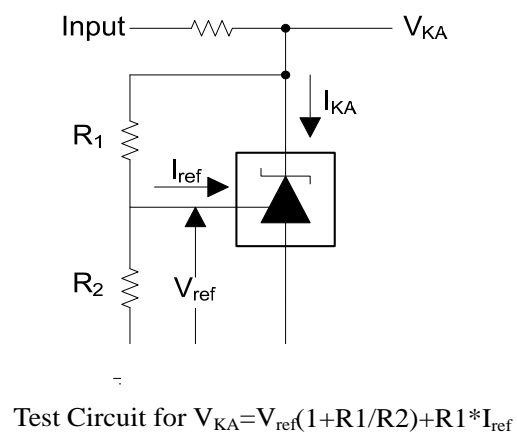
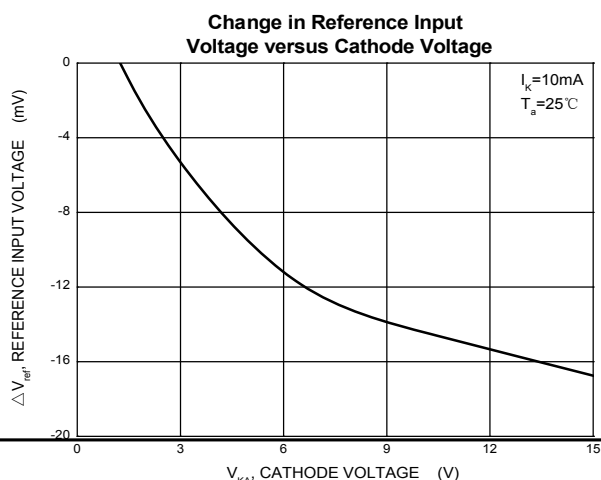
电话: 0755-82568882      82568883

邮箱: [idchip@indreamchip.com](mailto:idchip@indreamchip.com)

传真: 0755-82568886

网址: [www.idchip.cn](http://www.idchip.cn)

公司地址: 深圳市福田区滨河大道联合广场 A 座 1308



电话: 0755-82568882      82568883

传真: 0755-82568886

公司地址: 深圳市福田区滨河大道联合广场 A 座 1308

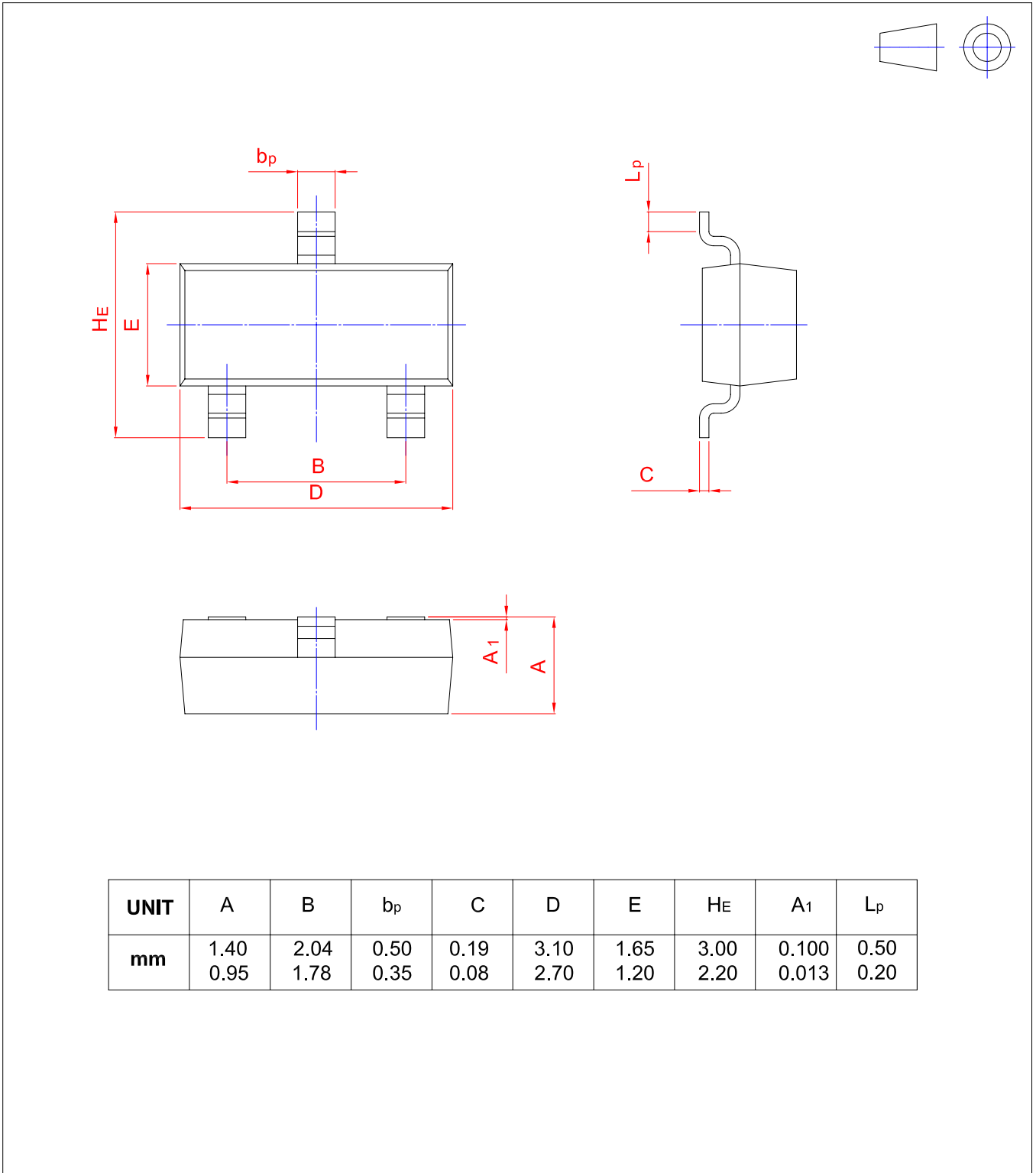
邮箱: [idchip@indreamchip.com](mailto:idchip@indreamchip.com)

网址: [www.idchip.cn](http://www.idchip.cn)

## PACKAGE OUTLINE

Plastic surface mounted package; 3 leads

SOT-23



电话: 0755-82568882      82568883

邮箱: [idchip@indreamchip.com](mailto:idchip@indreamchip.com)

传真: 0755-82568886

网址: [www.idchip.cn](http://www.idchip.cn)

公司地址: 深圳市福田区滨河大道联合广场 A 座 1308

## X-ON Electronics

Largest Supplier of Electrical and Electronic Components

*Click to view similar products for [Voltage References](#) category:*

*Click to view products by [IDCHIP](#) manufacturer:*

Other Similar products are found below :

[AS431ARTR-E1](#) [AZ431BR-ATRE1](#) [5962-8686103XC](#) [NCV431BVDMR2G](#) [SCV431AIDMR2G](#) [REF01J/883](#) [SC431ILPRAG](#) [AP432AQG-7](#) [LM4040B25QFTA](#) [TL431BL3T](#) [TL431ACZ](#) [KA431SLMF2TF](#) [KA431SMF2TF](#) [KA431SMFTF](#) [LM4040QCEM3-3.0/NOPB](#) [LM4041C12ILPR](#) [LM4050AIM3X-5.0/NOPB](#) [LM4120AIM5-2.5/NOP](#) [LM431SCCMFX](#) [ZXRE250BSA-7](#) [ZXRE125DN8TA](#) [TS3330AQPR](#) [ZXRE250ASA-7](#) [ZTL431ASE5TA](#) [ADR3512WCRMZ-R7](#) [REF3012AIDBZR](#) [LM385BM-2.5/NOPB](#) [LM385D-2.5R2G](#) [LM4040AIM3-10.0](#) [LM4040CIM3-10.0](#) [LM4040CIM3X-2.0/NOPB](#) [LM4041DH5TA](#) [LM4041QDIM3-ADJ/NO](#) [LM4051BIM3-ADJ/NOPB](#) [LM4051CIM3X-1.2/NOPB](#) [LM4128CMF-1.8/NOPB](#) [LM4132DMF-1.8/NOPB](#) [LM4132EMF-1.8/NOPB](#) [LM4132EMF-2.0/NOPB](#) [LM431CIM](#) [LM385BD-2.5R2G](#) [LM385M-2.5/NOPB](#) [LM4030AMF-4.096/NOPB](#) [LM4040D30ILPR](#) [AP432YG-13](#) [AP431IANTR-G1](#) [AP431AWG-7](#) [AS431ANTR-G1](#) [AS431AZTR-G1](#) [AS431BZTR-E1](#)