



**50 - 2100LN**  
**50-2100AN**  
**50-2100MR**

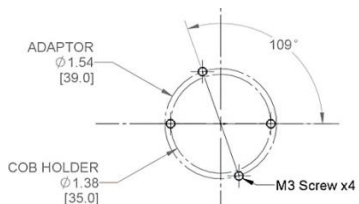
CHIP-LOK™ REFLECTOR ADAPTOR  
 FOR USE WITH **LEDiL** REFLECTORS

**FEATURES/BENEFITS:**



- OPTICALLY EFFICIENT ADAPTOR ENABLES EASY ATTACHMENT OF LEDiL REFLECTORS WITH CHIP-LOK LED ARRAY HOLDERS.
- REFLECTOR INTERFACE SUPPORTS LEDiL LENA, LENINIA, ANGELA, ANGELINA, AND MIRELLA
- BREAK AWAY TAB DESIGN ALLOWS FOR VERSATILE ATTACHMENT TO MULTIPLE COB ARRAYS
- SUPPORTED COB MANUFACTURERS: CREE, CITIZEN, PHILIPS, LG, NICHIA, SHARP AND BRIDGELUX
- STANDARDIZED MOUNTING SCREW LOCATIONS MAKES CHANGES TO OTHER ARRAYS AND REFLECTORS SIMPLE

**APPLICATION:**



**MECHANICAL:**

MOUNTING HOLE SPACING: 1.54 IN (39.0 mm)  
 SCREW SIZE: M3  
 SCREW TORQUE: 1.0 IN-LB (0.1 Nm)  
 -POLARIZED MARKINGS PROVIDE INSTALLATION ORIENTATION

**PHYSICAL:**

HOUSING: POLYCARBONATE  
 TEMPERATURE: 90°C (194°F)  
 COLOR: WHITE  
 FLAME RATING: 94 V-2

**STANDARDS & SPECIFICATIONS:**

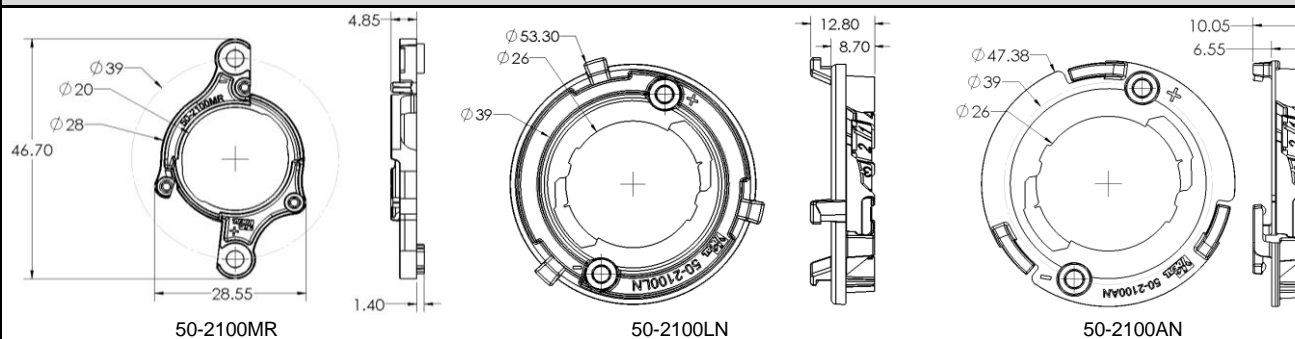
-RoHS AND REACH COMPLIANT

**COMPATABILITY CHART:**

Ledil Family	Mirella PF	Lena/Leninina	Angela/Angelina	IDEAL Holder	IDEAL Holder Family
IDEAL Catalog No.	IDEAL 50-2100MR	IDEAL 50-2100LN	IDEAL 50-2100AN		
Citizen CLU03X		•	•	50-2103CT	Chip-Lok
Citizen CLU04X		•	•	50-2204CT	Chip-Lok
Cree CX_18	•	•	•	50-2101CR	Chip-Lok Jr.
Cree CX_18		•	•	50-3001CR	Chip-Lok Jr.
Cree CX_25		•	•	50-2102CR	Chip-Lok
Cree CX_25		•	•	50-3002CR	Chip-Lok Jr.
Cree CX_30		•	•	50-2234C	Chip-Lok
LG LEMWM18		•	•	50-2100LG	Chip-Lok
Lumileds 1203	•	•	•	50-2100NC	Chip-Lok
Lumileds 1204, 1205, 1208		•	•	50-2100SH	Chip-Lok
Nichia NSBxL110, NFCxLO36B, NFCxLO60B, NVCxLO24Z	•	•	•	50-2100NC	Chip-Lok
Nichia NFCxJ108B, NFDxJ130B, NVExJ048Z		•	•	50-2103NC	Chip-Lok
Sharp Mega ZENIGATA		•	•	50-2100SH	Chip-Lok

**ORDERING INFO:**

CATALOG #	REFLECTOR DESCRIPTION	PACKAGE TYPE:	WEIGHT LBS (KG)
50-2100AN	ANGELA / ANGELINA	500 PIECE	2.0 (0,9)
50-2100LN	LENA / LENINIA	500 PIECE	3.5 (1,6)
50-2100 MR	MIRELLA PF	500 PIECE	1.3 (0,6)





50-2300AN

CHIP-LOK™ REFLECTOR ADAPTOR  
FOR USE WITH LEDiL REFLECTORS

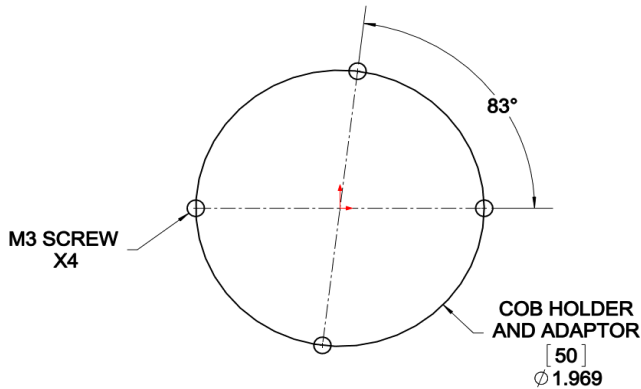
FEATURES/BENEFITS:



- OPTICALLY EFFICIENT ADAPTOR ENABLES EASY ATTACHMENT OF LEDiL REFLECTORS WITH CHIP-LOK LED ARRAY HOLDERS.
- REFLECTOR INTERFACE SUPPORTS LEDiL , ANGELA, AND ANGELINA
- SUPPORTED COB MANUFACTURERS: CREE
- STANDARDIZED MOUNTING SCREW LOCATIONS MAKES CHANGES TO OTHER ARRAYS AND REFLECTORS SIMPLE

APPLICATION:

MECHANICAL:



MOUNTING HOLE SPACING: 1.97 IN (50.0 mm)  
SCREW SIZE: M3  
SCREW TORQUE: 1.0 IN-LB (0.1 Nm)

PHYSICAL:

STANDARDS & SPECIFICATIONS:

HOUSING: POLYCARBONATE  
TEMPERATURE: 90°C (194°F)  
COLOR: WHITE  
FLAME RATING: 94 V-2

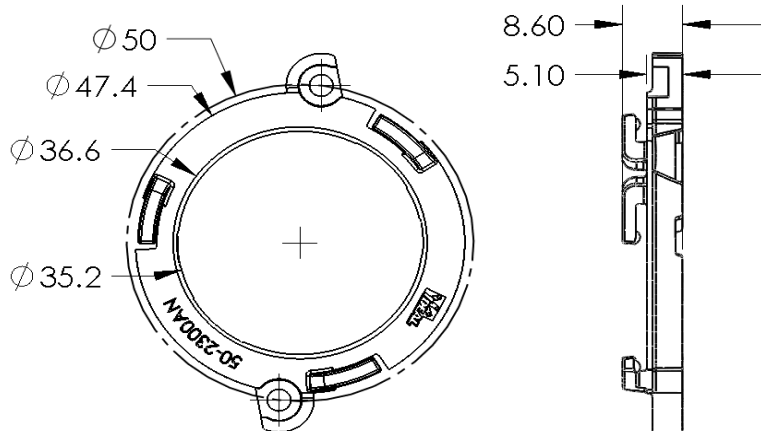
-RoHS AND REACH COMPLIANT

COMPATABILITY CHART:

Ledil Family	Angela/Angelina		
IDEAL Catalog No.	IDEAL 50-2300AN	IDEAL Holder	IDEAL Holder Family
Cree CX 35	•	50-2303CR	Chip-Lok

ORDERING INFO:

CATALOG # 50-2300AN	REFLECTOR DESCRIPTION ANGELA / ANGELINA	PACKAGE TYPE: 320 PIECE	WEIGHT LBS (KG) 2.8 (1,3)
------------------------	--	----------------------------	------------------------------



50-2300AN



50-2000MR

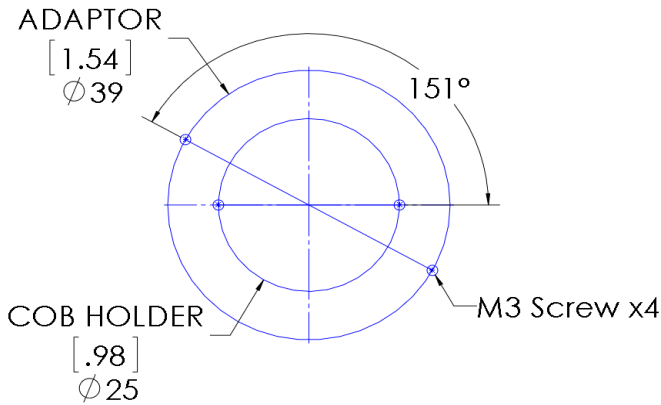
CHIP-LOK™ REFLECTOR ADAPTOR  
FOR USE WITH LEDiL REFLECTORS

FEATURES/BENEFITS:

- OPTICALLY EFFICIENT ADAPTOR ENABLES EASY ATTACHMENT OF LEDiL REFLECTORS WITH CHIP-LOK LED ARRAY HOLDERS.
- REFLECTOR INTERFACE SUPPORTS LEDiL , MIRELLA
- SUPPORTED COB MANUFACTURERS: CREE, CITIZEN, NICHIA, SHARP, LUMILEDS
- STANDARDIZED MOUNTING SCREW LOCATIONS MAKES CHANGES TO OTHER ARRAYS AND REFLECTORS SIMPLE

APPLICATION:

MECHANICAL:



MOUNTING HOLE SPACING: 1.53 IN (39.0 mm)  
 SCREW SIZE: M3  
 SCREW TORQUE: 1.0 IN-LB (0.1 Nm)

PHYSICAL:

STANDARDS & SPECIFICATIONS:

HOUSING: POLYCARBONATE  
 TEMPERATURE: 90°C (194°F)  
 COLOR: WHITE  
 FLAME RATING: 94 V-2

-RoHS AND REACH COMPLIANT

COMPATABILITY CHART:

Ledil Family	Mirella	IDEAL Holder	IDEAL Holder Family
IDEAL Catalog No.	IDEAL 50-2000MR		
Citizen CLU02x	•	50-2002CT	Chip-Lok Jr.
Cree CX_13	•	50-2000CR	Chip-Lok Jr.
Cree CX_15	•	50-2001CR	Chip-Lok Jr.
Lumileds 1202s	•	50-2000P	Chip-Lok Jr.
Nichia NTCxS024B, NJCxS024Z	•	50-2000P	Chip-Lok Jr.
Sharp Mini ZENIGATA	•	50-2000P	Chip-Lok Jr.

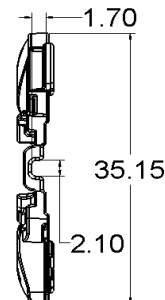
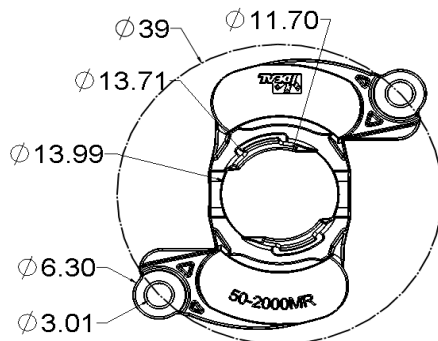
ORDERING INFO:

CATALOG #  
50-2000MR

REFLECTOR DESCRIPTION  
MIRELLA

PACKAGE TYPE:  
500 PIECE

WEIGHT LBS (KG)  
2.8 (1,3)



50-2000MR

## **X-ON Electronics**

Largest Supplier of Electrical and Electronic Components

*Click to view similar products for [ideal manufacturer](#):*

Other Similar products are found below :

[30-696](#) [74-027](#) [45-292](#) [45-098](#) [L-5361](#) [45-093](#) [45-177](#) [45-1987-1](#) [41-990](#) [25HK-AY-090A266-DH](#) [15DYS6150-2400625P](#) [45-418](#) [30-503](#)  
[35-020](#) [35-060](#) [35-516](#) [45-1633-1](#) [45-170](#) [45-1773-1](#) [45-1774](#) [45-1939-1](#) [45-2133-1](#) [45-298](#) [45-372](#) [K-6336](#) [K-8906R](#) [L-4866](#) [L-5210](#) [L-](#)  
[5562](#) [L-9038](#) [LB-1091](#) [35-522](#) [61-775](#) [KB-0276R](#) [30-429](#) [30-587](#) [33-856](#) [45-672](#) [45-171](#) [45-144](#) [34-015](#) [33-864](#) [30-506](#) [25HK-AP-](#)  
[060A100-CP-3A](#) [15DYS624-240125W-K](#) [15DYS6150-4800312P](#) [33-704](#) [45-092](#) [45-121](#) [45-1513](#)